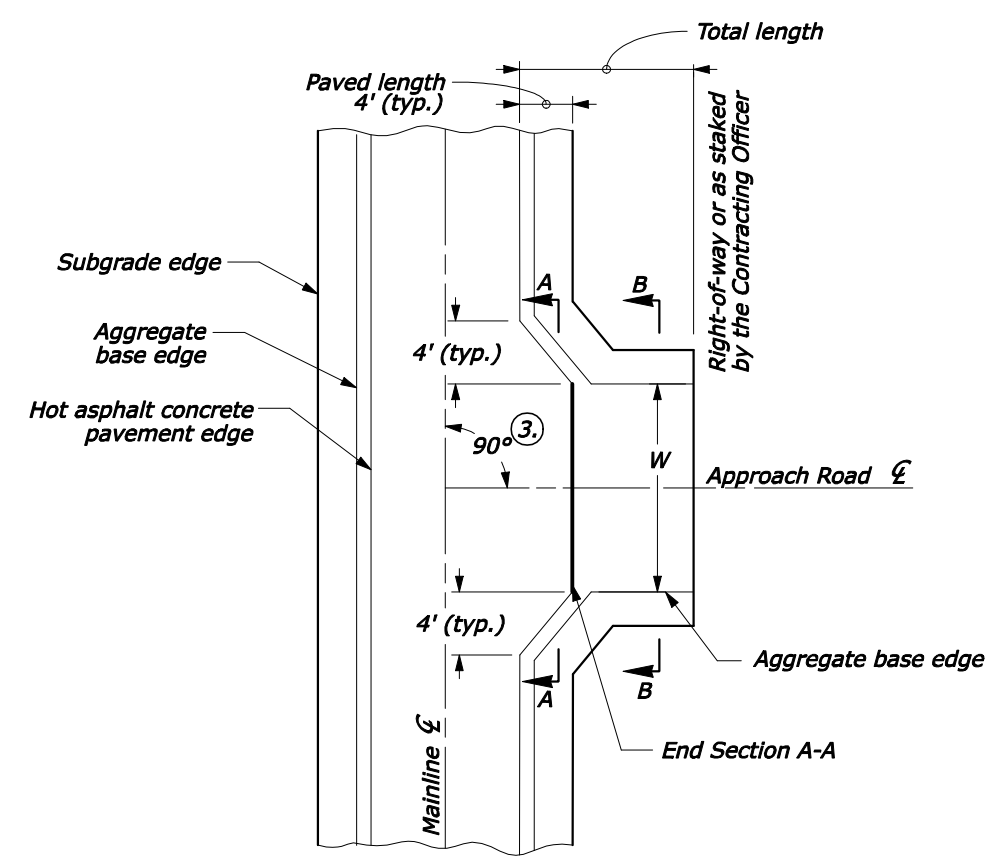
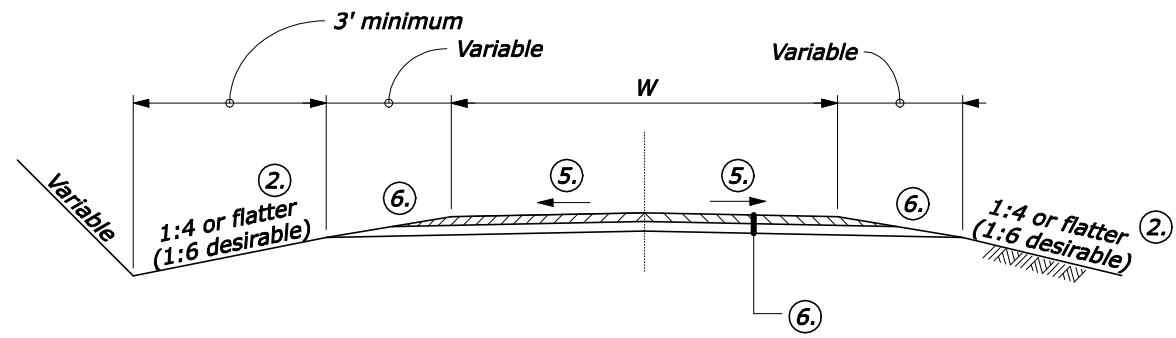


APPROACH ROAD TYPES 1 & 2 TYPICAL PLAN

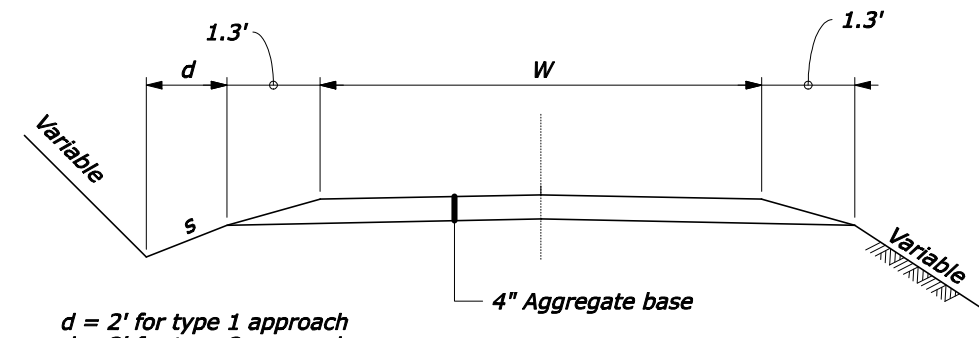


APPROACH ROAD TYPE 3 TYPICAL PLAN

- NOTE:**
- Stations shown are approximate locations. Actual locations to be field verified.
 - Construct cut and fill slopes for approach roads to match with mainline roadway construction.
 - Under special conditions, the approach road angle shown may be varied $\pm 20^\circ$.
 - Place culverts at the end of the approach road radius to provide a flatter foreslope and increased mainline recovery area. When a culvert must be placed within the clear zone of the mainline roadway, use safety end sections (see Standard Drawing 602-9).
 - Apply the normal crown to approach roads with widths greater than 15 feet.
 - Refer to mainline typical sections for structural section thicknesses and foreslopes.
 - Construct approach roads with landing areas having grades within $\pm 2\%$. In snowy regions restrict this to a 0% to -2% grade. Under special conditions, use 6% maximum.
 - Vary radii to fit unusual field conditions. Do not reduce existing radii or widths. R_1 is on the left side of the approach road centerline.



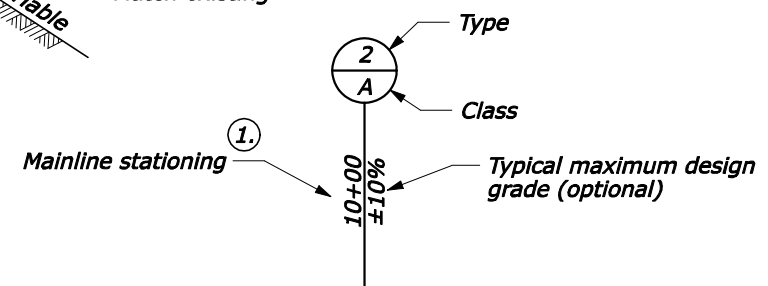
SECTION A-A



SECTION B-B

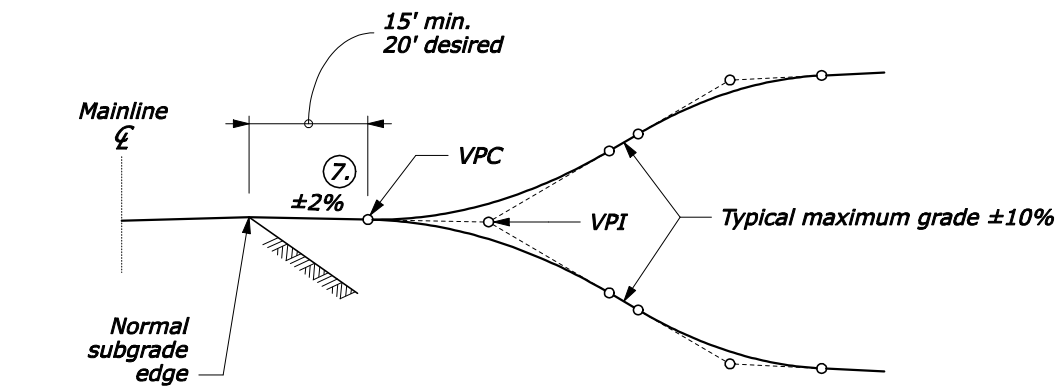
TYPE	CLASS	MIN. WIDTH W (ft)	MIN. RADIUS R (ft)	SAMPLE APPLICATION
1	A	12	15	Field Access
1	B	14	25	Minimum 1-Way Use
1	C	16	25	Farm Equipment
1	D	16	40	Logging Truck Use
2	A	18	25	Minimum 2-Way Use
2	B	20	25	ADT < 25
2	C	22	40	25 ≤ ADT < 100
2	D	24	40	100 ≤ ADT < 199
2	E	28	50	ADT ≥ 200
3	A	*	N/A	Paved apron

* Match existing



Example of symbol showing standard approach road connection on plan and profile sheet

TYPICAL SYMBOL



TYPICAL PROFILE

APPROACH ROAD SUMMARY							
STATION (1)	TYPE & CLASS	PAVED LENGTH (ft)	TOTAL LENGTH (ft)	W (ft)	R ₁ (ft)	R ₂ (ft)	REMARKS
xx+xx Lt.	xx	xx	xx	xx	xx	xx	
xx+xx Lt.	xx	xx	xx	xx	xx	xx	
xx+xx Rt.	xx	xx	xx	xx	xx	xx	
xx+xx Lt.	xx	xx	xx	xx	xx	xx	
xx+xx Lt.	xx	xx	xx	xx	xx	xx	
xx+xx Lt.	xx	xx	xx	xx	xx	xx	
xx+xx Lt.	xx	xx	xx	xx	xx	xx	

NO SCALE

U.S. DEPARTMENT OF TRANSPORTATION
FEDERAL HIGHWAY ADMINISTRATION
CENTRAL FEDERAL LANDS HIGHWAY DIVISION

**TYPICAL SECTIONS
APPROACH ROADS**