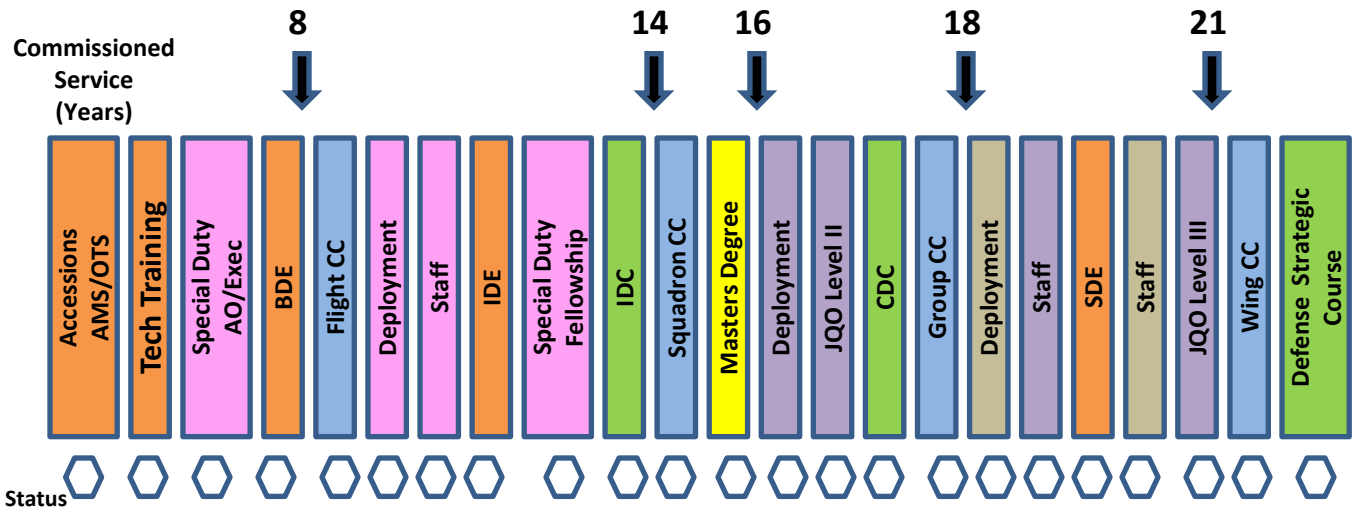


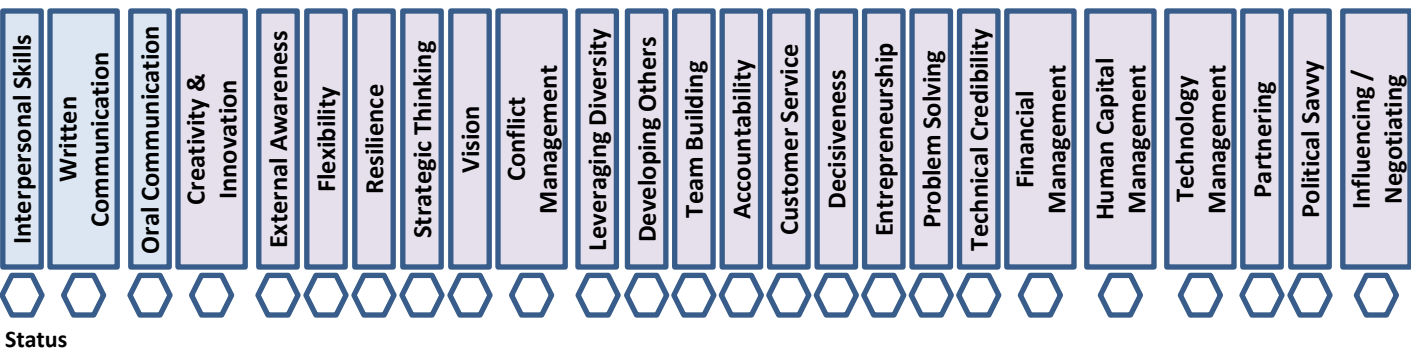
OFFICER SCORECARD



- Required
- Command
- Civilian Education
- Supplemental/Military Education
- Joint Matters
- Senior Leadership Assignment
- Career Broadening Opportunity
- Executive Core Qualifications / Competency
- Fundamental Competency



Leadership Competencies:



Describe your Non-Military Experience: Positions / Greatest Responsibility / Certifications Held:

Leadership Competency Definitions: www.ang.af.mil/careers/forcedevelopment