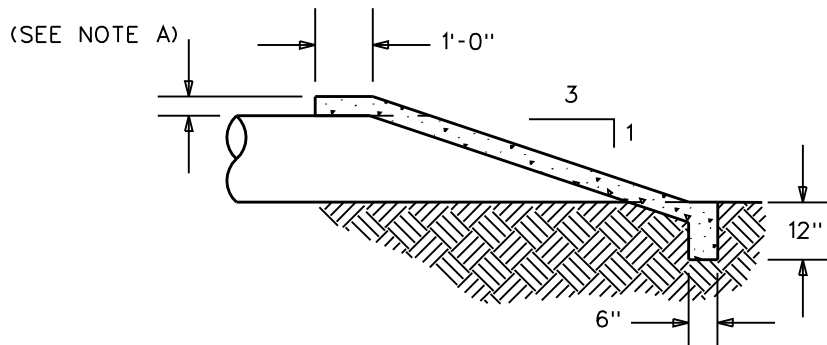
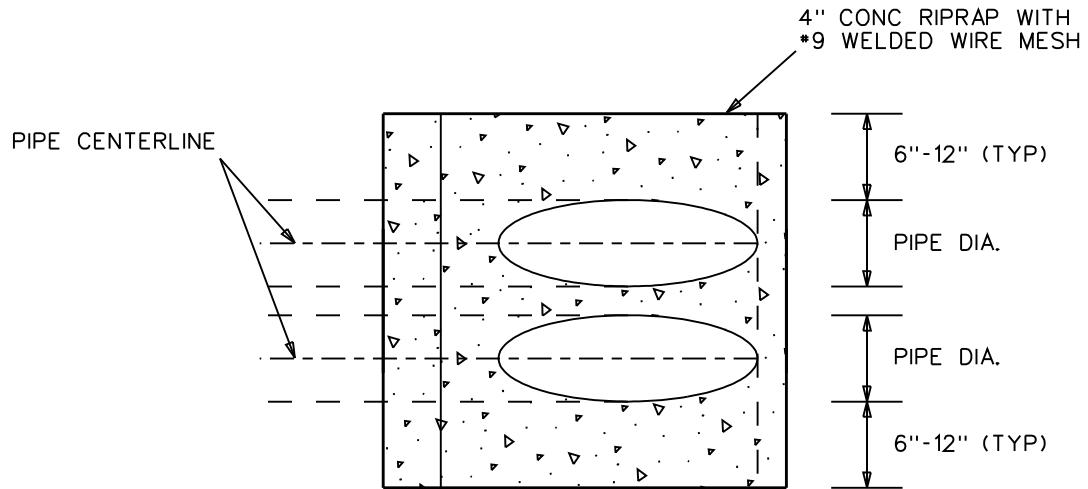
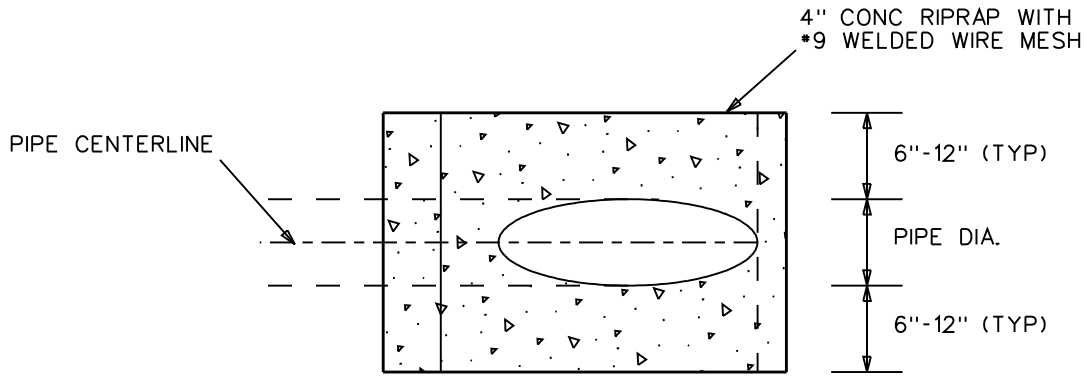


(SUPPLEMENTAL INFORMATION)



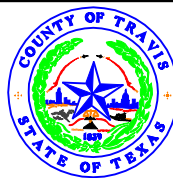
NOT TO SCALE

FILE: Q:\Project\Environmental\Driveway_Std\stds\safety_end.dgn
DATE: 18-Aug-06 16:21

NOTES:

A) MIN COVER FOR ALL MATERIAL TYPES IS 4" UNLESS DESIGNATED OTHERWISE

B) PIPE SIZE AND NUMBER TO BE DESIGNATED BY PERMITTING DEPARTMENT



TRAVIS COUNTY, TEXAS
TRANSPORTATION and NATURAL
RESOURCES DEPARTMENT

SAFETY END TREATMENT
FOR RESIDENTIAL
DRIVEWAY CULVERT