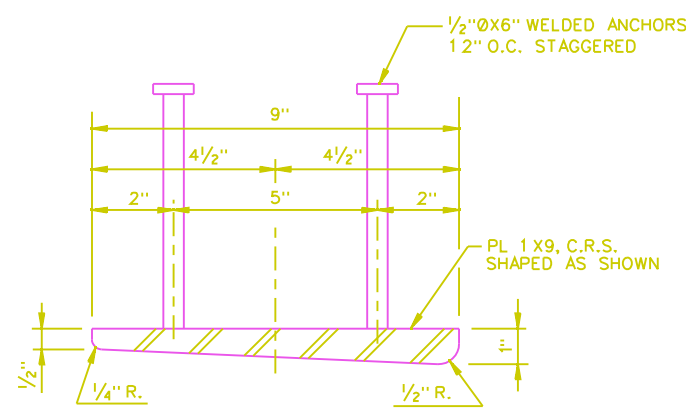
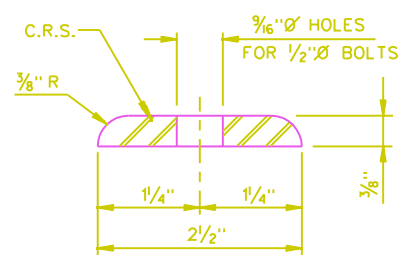


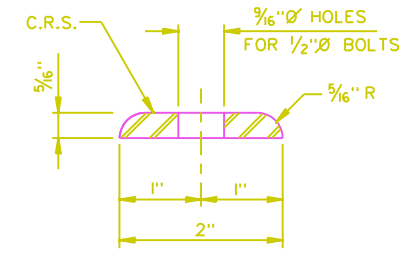
**SECTION THRU ROLLER GATE**  
SCALE: 1 1/2" = 1' - 0"



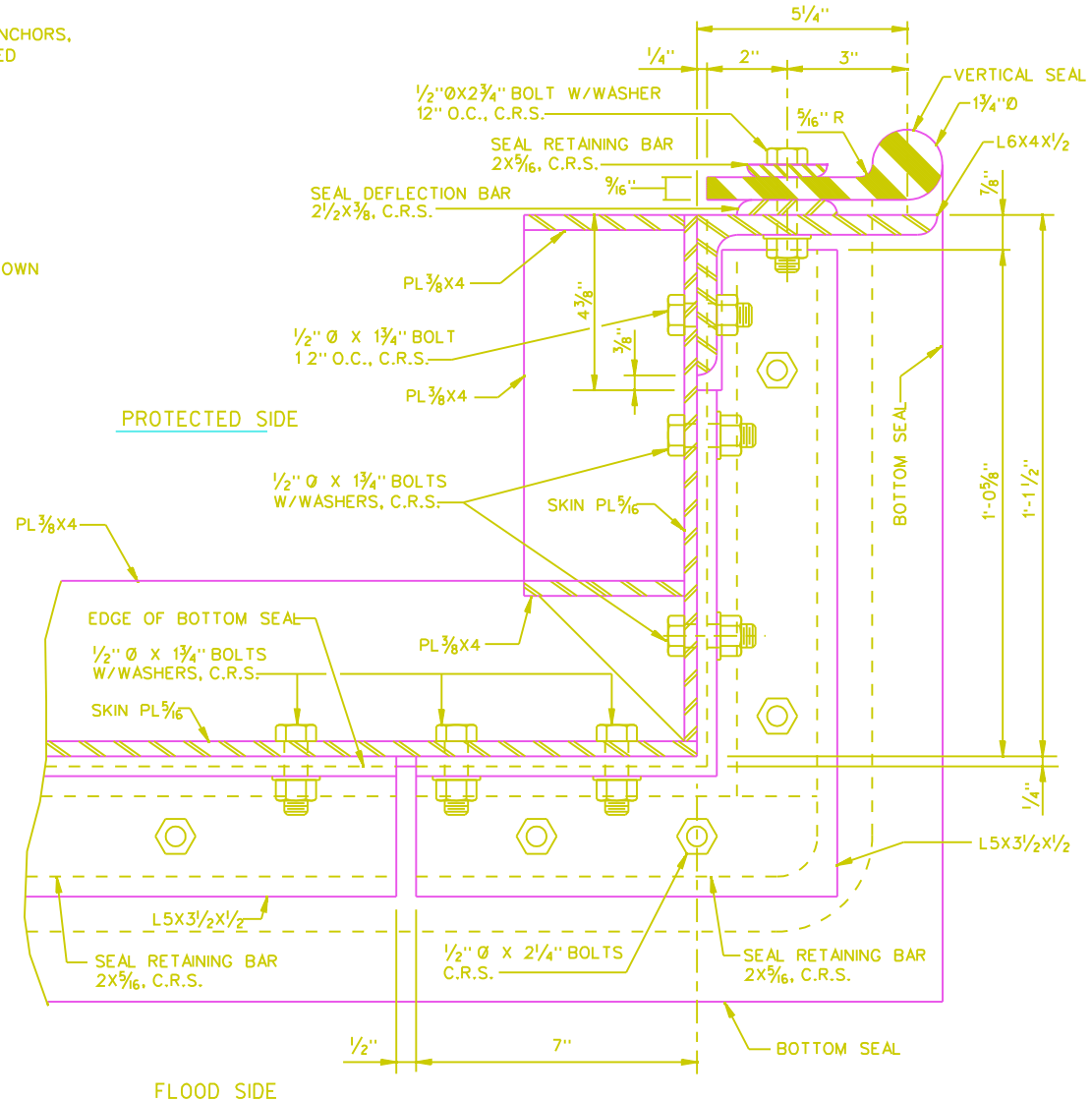
**VERTICAL SEAL PLATE DETAIL**  
SCALE: 6" = 1' - 0"



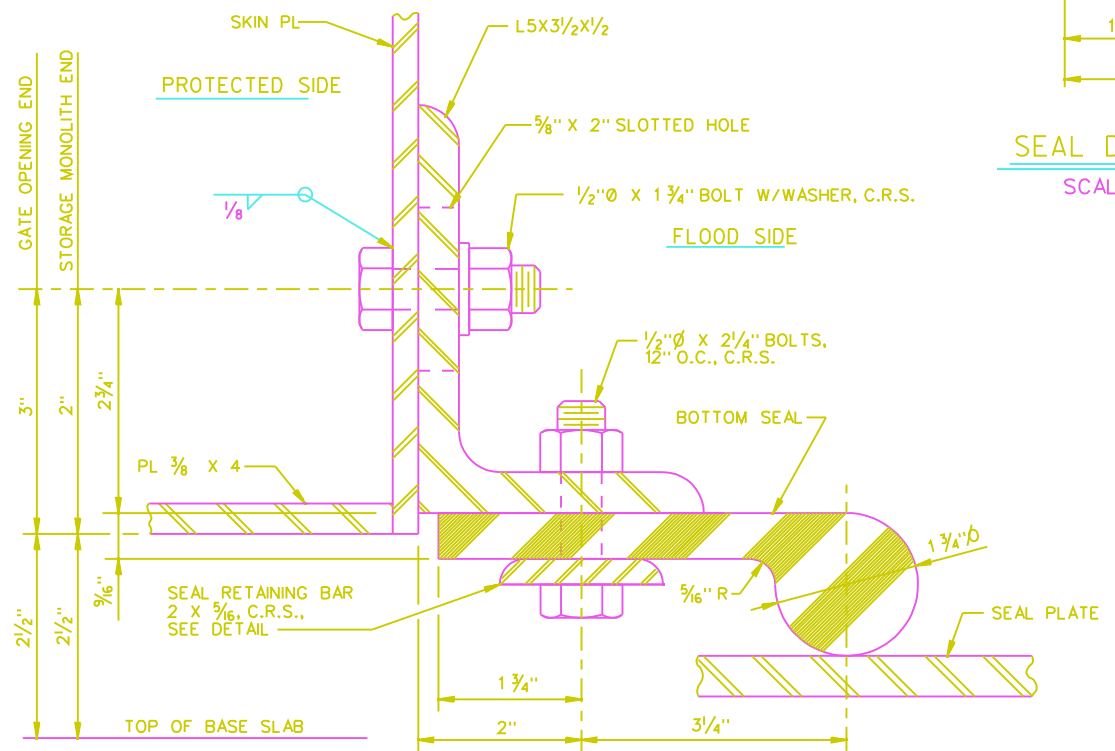
**SEAL DEFLECTION BAR**  
SCALE: 12" = 1' - 0"



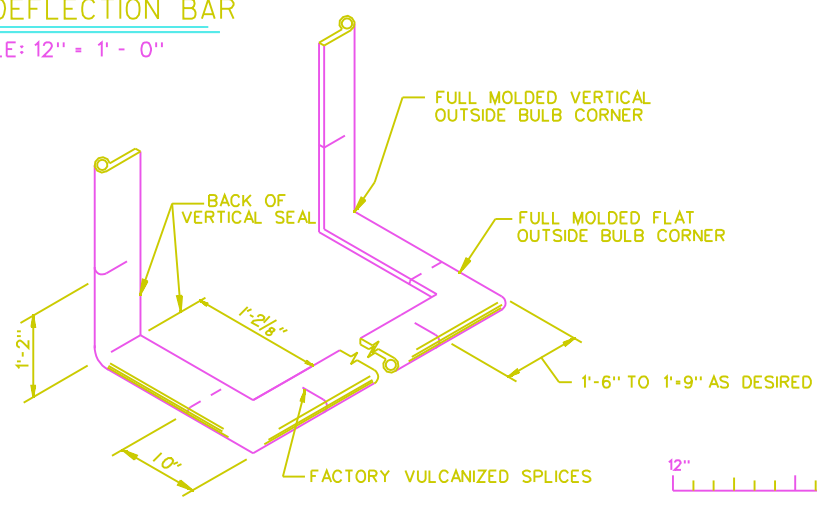
**SEAL RETAINING BAR**  
SCALE: 12" = 1' - 0"



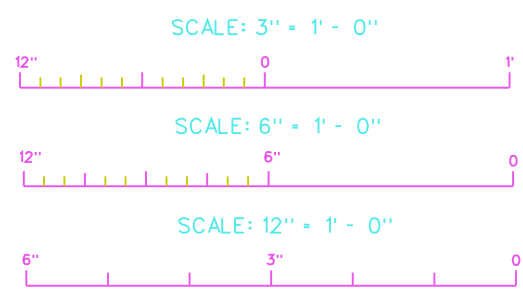
**VERTICAL SEAL**  
PLAN AT END OF GATE BELOW W  
SCALE: 6" = 1' - 0"



**TYPICAL SECTION THRU BOTTOM SEAL**  
SCALE: 12" = 1' - 0"



**CORNER DETAIL, TYPICAL EACH SIDE**  
TYPICAL GATE SEAL  
NOT TO SCALE



COMPUTER AIDED DESIGN DRAFTING

LAKE PONTCHARTRAIN, LA. AND VICINITY  
HIGH LEVEL PLAN  
DESIGN MEMORANDUM NO. 20 GENERAL DESIGN  
ORLEANS PARISH - JEFFERSON PARISH  
17TH. STREET OUTFALL CANAL  
( METAIRIE RELIEF )  
**BOTTOM ROLLER GATE SEAL DETAILS**  
U. S. ARMY ENGINEER DISTRICT, NEW ORLEANS  
CORPS OF ENGINEERS  
DATE: MARCH 1990 FILE NO: H-2-30300

30300SA25.DGN  
FORM SIZE 2