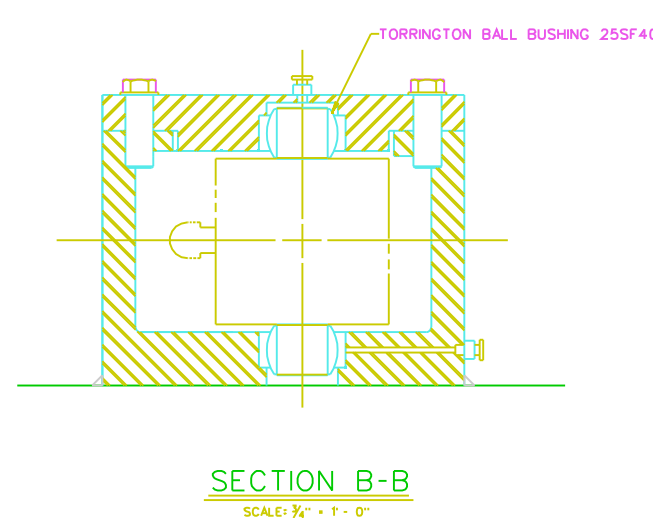
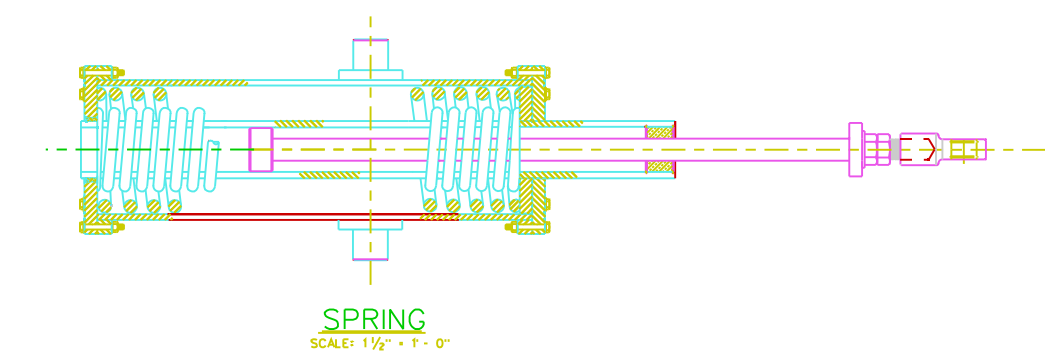
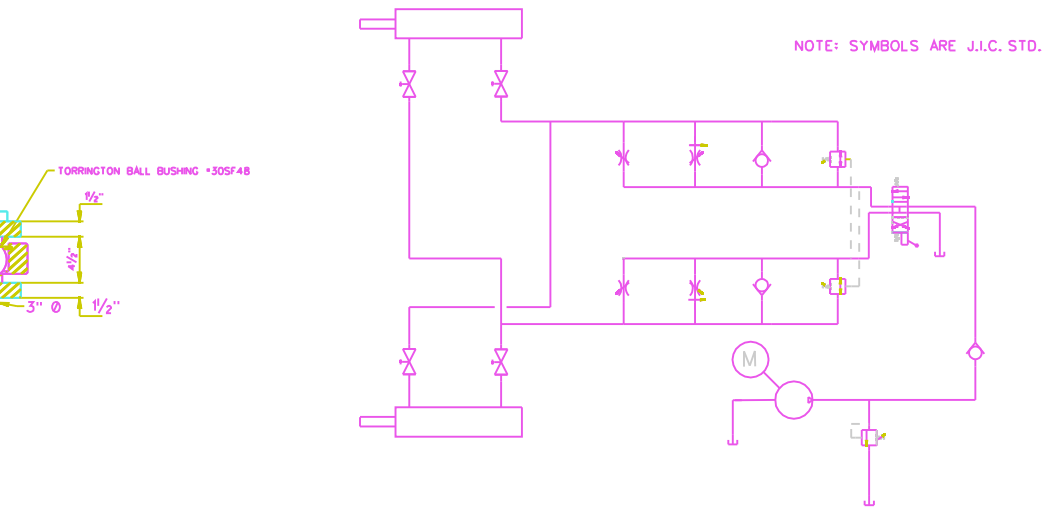
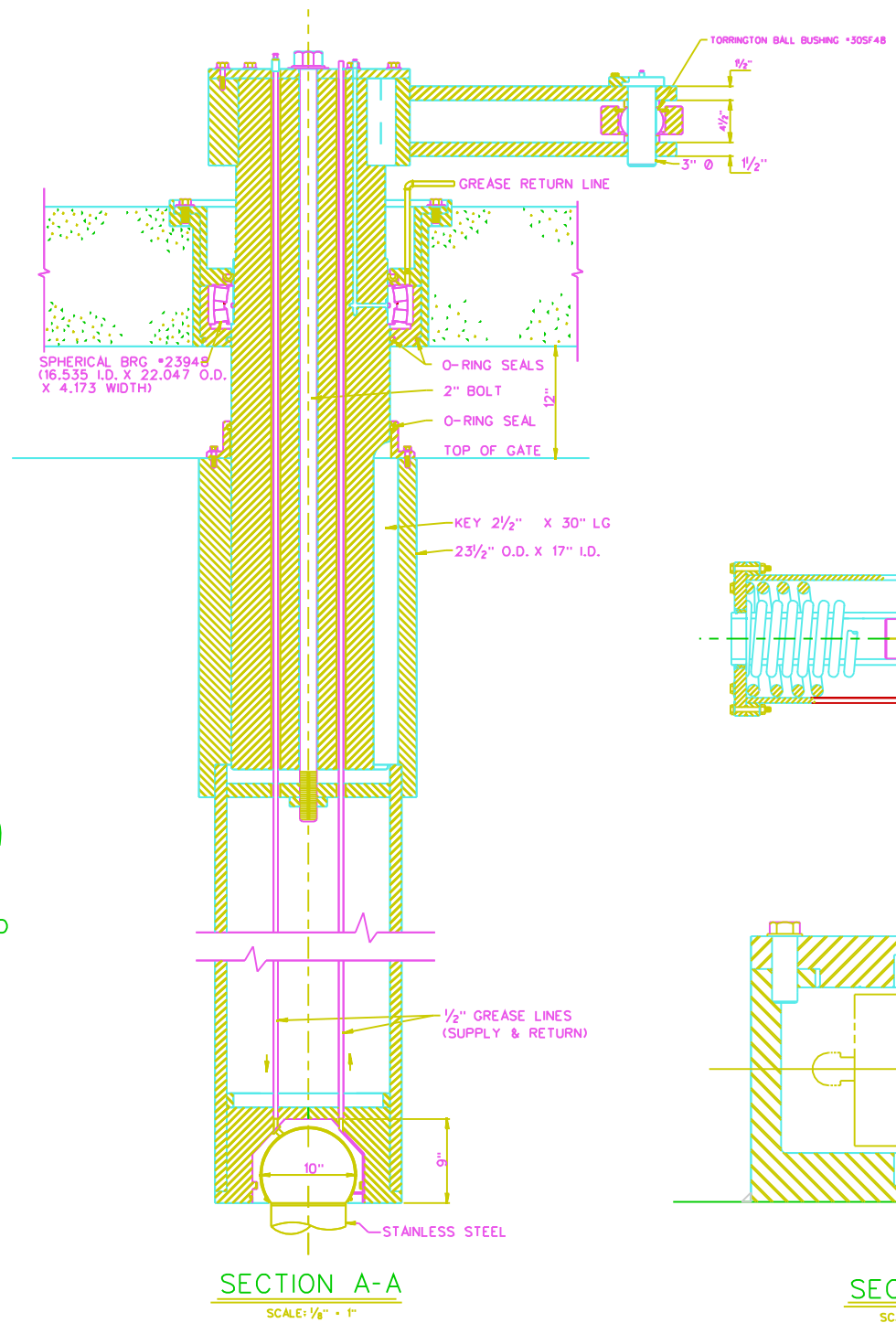
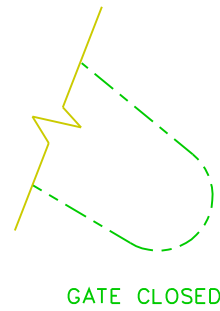
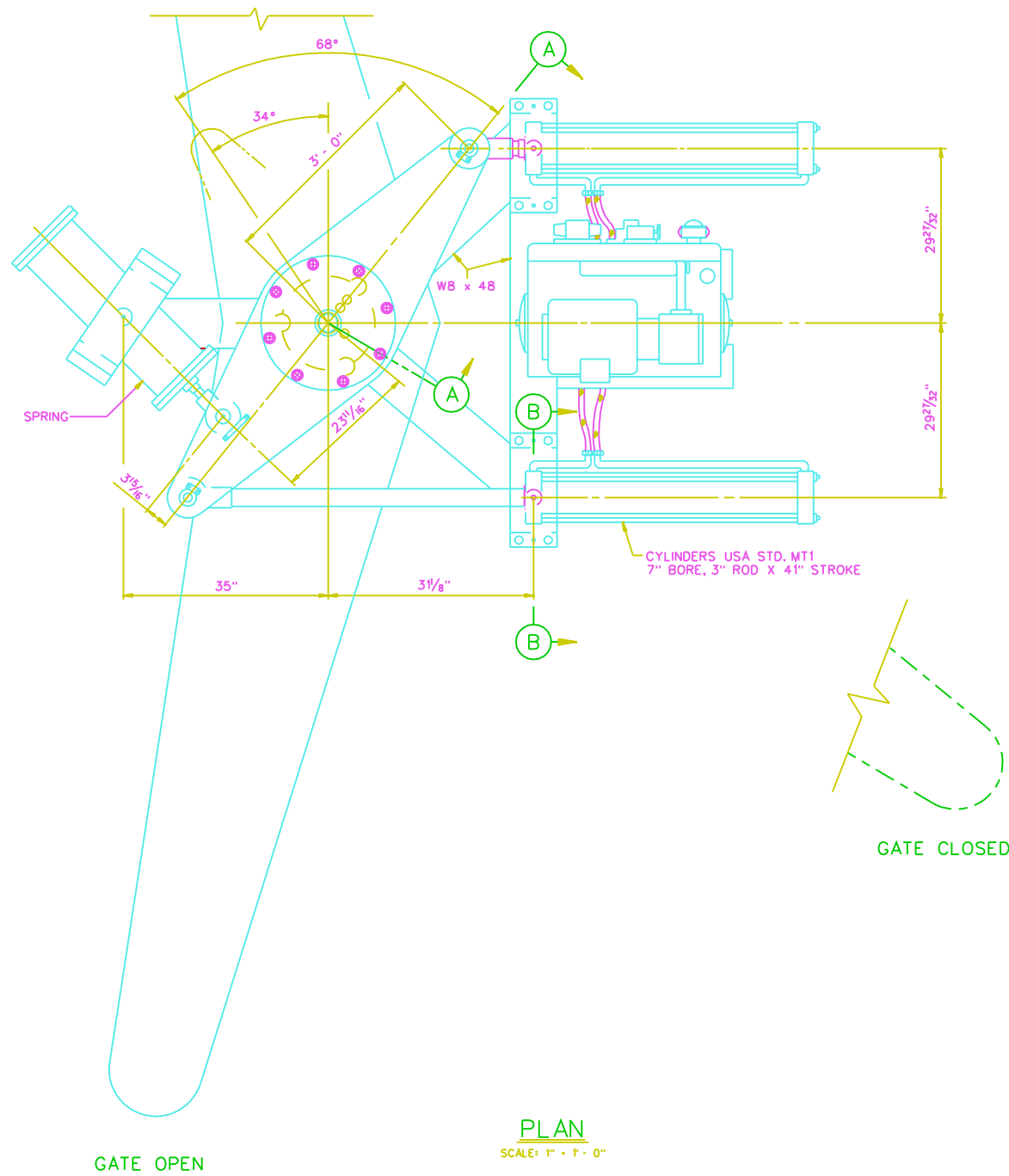


COMPUTER
AIDED
DESIGN
DRAFTING



LAKE PONCHARTRAIN, LA., AND VICINITY
HIGH LEVEL PLAN
DESIGN MEMORANDUM NO. 20 GENERAL DESIGN
ORLEANS PARISH - JEFFERSON PARISH
17TH. STREET OUTFALL CANAL
(METAIRIE RELIEF)

MACHINERY LAYOUT

U. S. ARMY ENGINEER DISTRICT, NEW ORLEANS
CORPS OF ENGINEERS
DATE: MARCH 1990 FILE NO: H-2-30300

303005A24.DGN
FORM SIZE 12