

A0006850

**ROUTING OF SHOP DRAWINGS, EQUIPMENT DATA, MATERIAL SAMPLES, OR MANUFACTURER'S CERTIFICATES OF COMPLIANCE FOR APPROVAL**

(Used to route ENO Form 4025 with items attached. Not to become a part of the Contractor's record.)

<b>1</b>	TO: C/Const Div	FROM: Area Engr, New Orleans	DATE: 11/17/94
----------	-----------------	------------------------------	----------------

The attached items listed on ENG Form 4025 are forwarded for approval action.

CONTRACT NUMBER 94-C-0079	CONTRACTOR B & K Const. Co., Inc	
TRANSMITTAL NUMBERS #62 Sheet metal ambles + ladders w/security doors	PROJECT TITLE AND LOCATION London Ave Canal - Mirabeau to Low C. Street	
COMMENTS (Attach additional sheet, if necessary.) Request your office review the attached metalwork submittal for the subject contract. Furnish any comments to NOAA by COB 2 Dec 94. POC is Chris Wignall X1222.		
NO. OF INCL. 1	TYPED NAME AND TITLE Dennis Dubon, Supv Civ Engr	SIGNATURE 

<b>2</b>	TO: C/Engr Div	FROM: C/Const Div (Berry)	DATE: 11/17/94
COMMENTS (Attach additional sheet, if necessary.) Review & cut by 1 Dec 94 P.O.C. Jim Berry X1240			
NO. OF INCL. 1	TYPED NAME AND TITLE RICHARD T. HILL	SIGNATURE 	

<b>3</b>	TO: C/Const Div	FROM: C/Engr Div	DATE: 12/14/94
COMMENTS (Attach additional sheet, if necessary.) Not recommended for approval.			
NO. OF INCL. 2	TYPED NAME AND TITLE W. Eugene Tickner C/Engr Div	SIGNATURE	

<b>4</b>	TO:	FROM:	DATE:
----------	-----	-------	-------

The following action codes are given to items listed on ENG Form 4025:

**ACTION CODES**

- |   |   |
|---|---|
| <ul style="list-style-type: none"> <li>A - APPROVED AS SUBMITTED.</li> <li>B - APPROVED, EXCEPT AS NOTED ON DRAWINGS. RESUBMISSION NOT REQUIRED.</li> <li>C - APPROVED, EXCEPT AS NOTED ON DRAWINGS. REFER TO ATTACHED SHEET. RESUBMISSION REQUIRED.</li> </ul> | <ul style="list-style-type: none"> <li>D - WILL BE RETURNED BY SEPARATE CORRESPONDENCE.</li> <li>E - DISAPPROVED (SEE ATTACHED)</li> <li>F - RECEIPT ACKNOWLEDGED</li> <li>G - OTHER (specify)</li> </ul> |
|---|---|

ACTION CODES TO BE INSERTED IN COLUMN G, SECTION I, ENG FORM 4025 (Attach sheets, when required.)

ITEM NO. (Taken from ENO Form 4025)								
REMARKS								
NO. OF INCL.	TYPED NAME AND TITLE						SIGNATURE	

## Settlement Reference Bolts & Ladders Submittal

### 1. Dwg. F-727-1.

a. "Settlement Reference Marker Table". The markers should be located at monolith joints nearest the stations shown on the table.

b. "Settlement Reference Marker". Expansion anchors may not be used in lieu of hex head bolts. These markers are permanent. Using expansion anchors would make them easily removable.

c. "18 Gage Sheet Metal Embed Schedule" These pieces should be embedded in the concrete section of the I-Wall only. Therefore, all pieces should be 2'-9" long.

### 2. Dwg. F-727-2.

a. "Note 1" ASTM A 123 is for galvanizing bars and plates. ASTM A 386 which is for galvanizing assembled products should be used.

b. "Security Door Detail". The groove weld should be ground flat not convex.

3. Dwg. F-727-4. "Section A-A" PC 2-3 should be 10" for this ladder instead of 7".

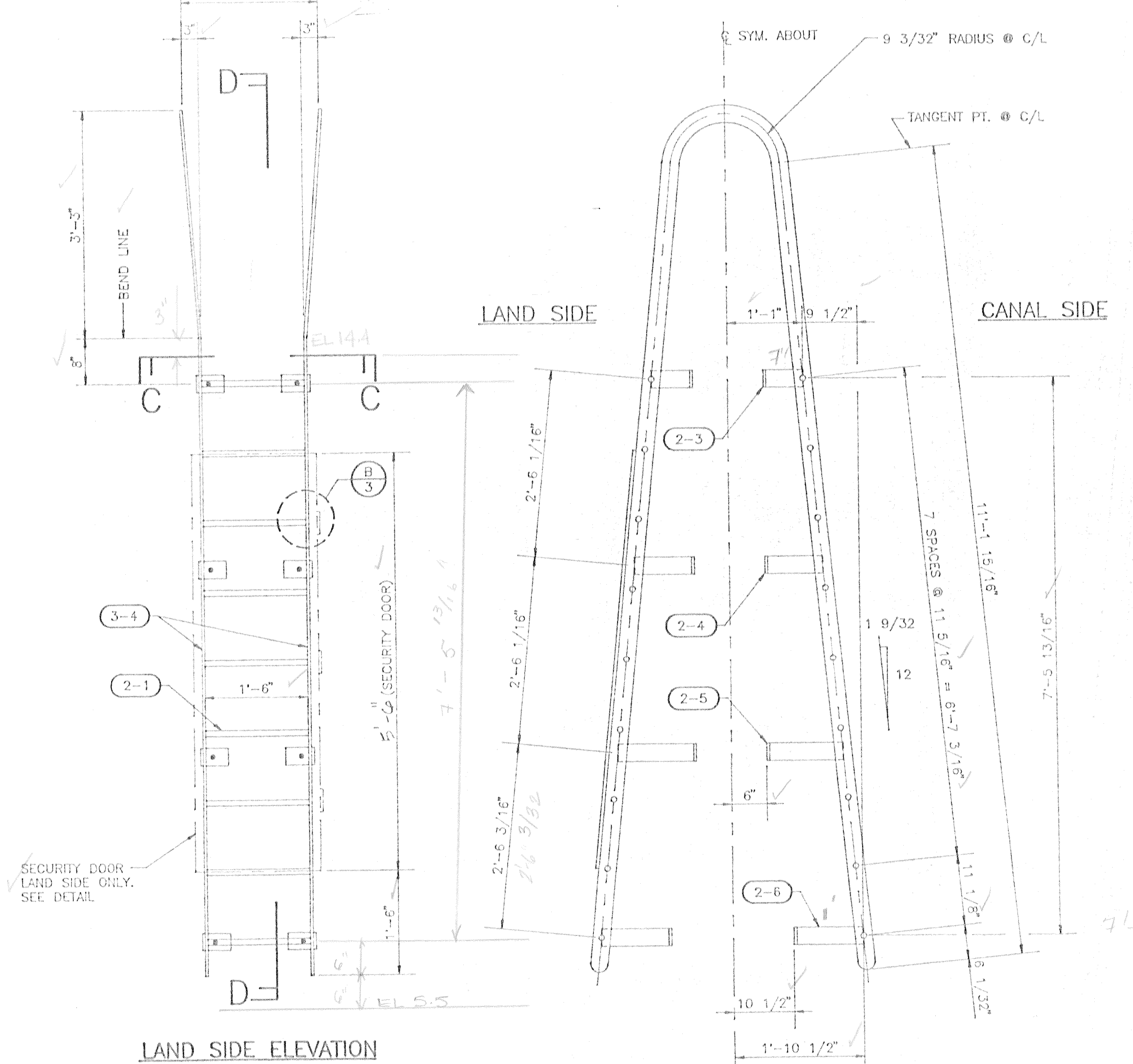
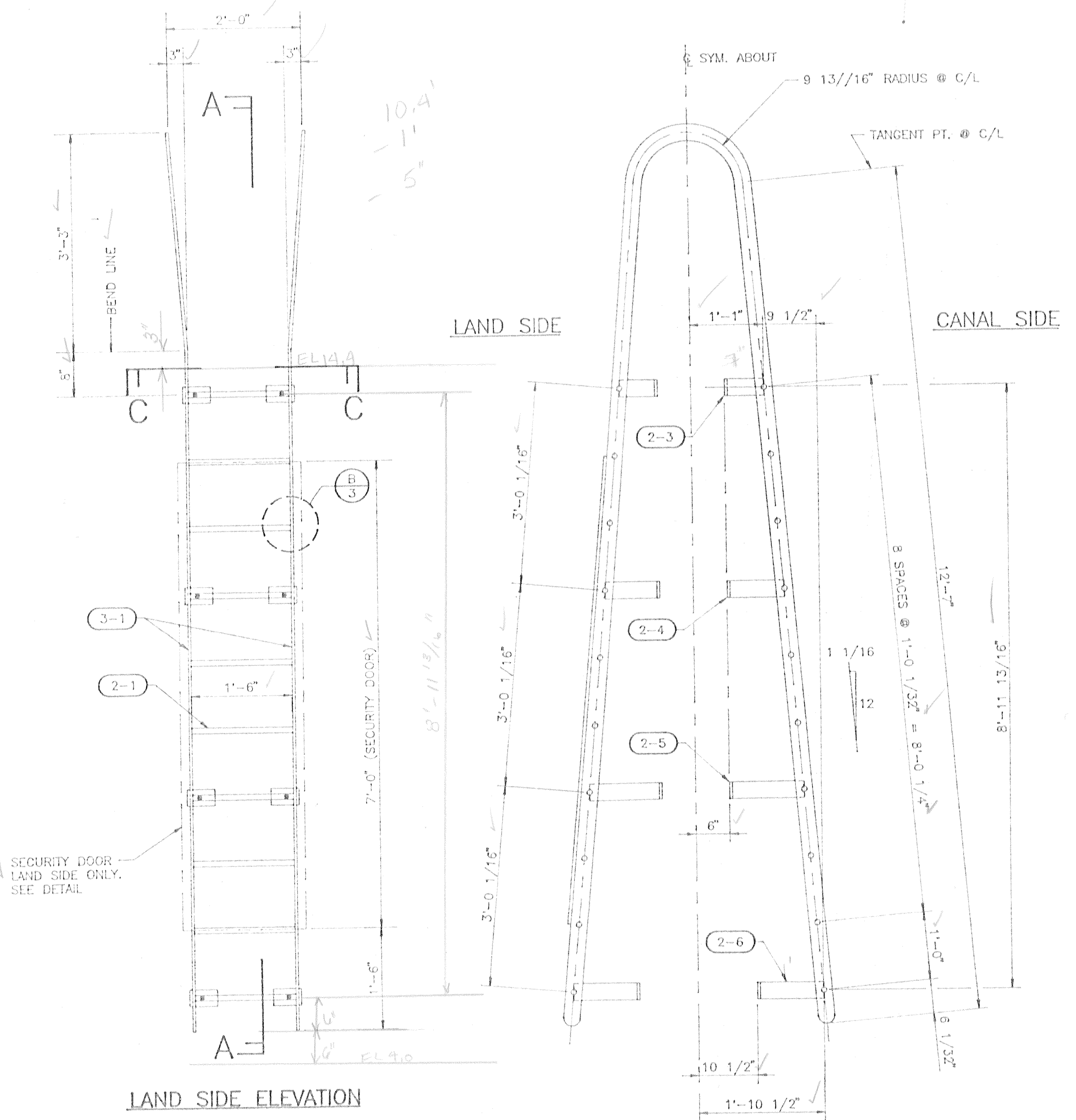






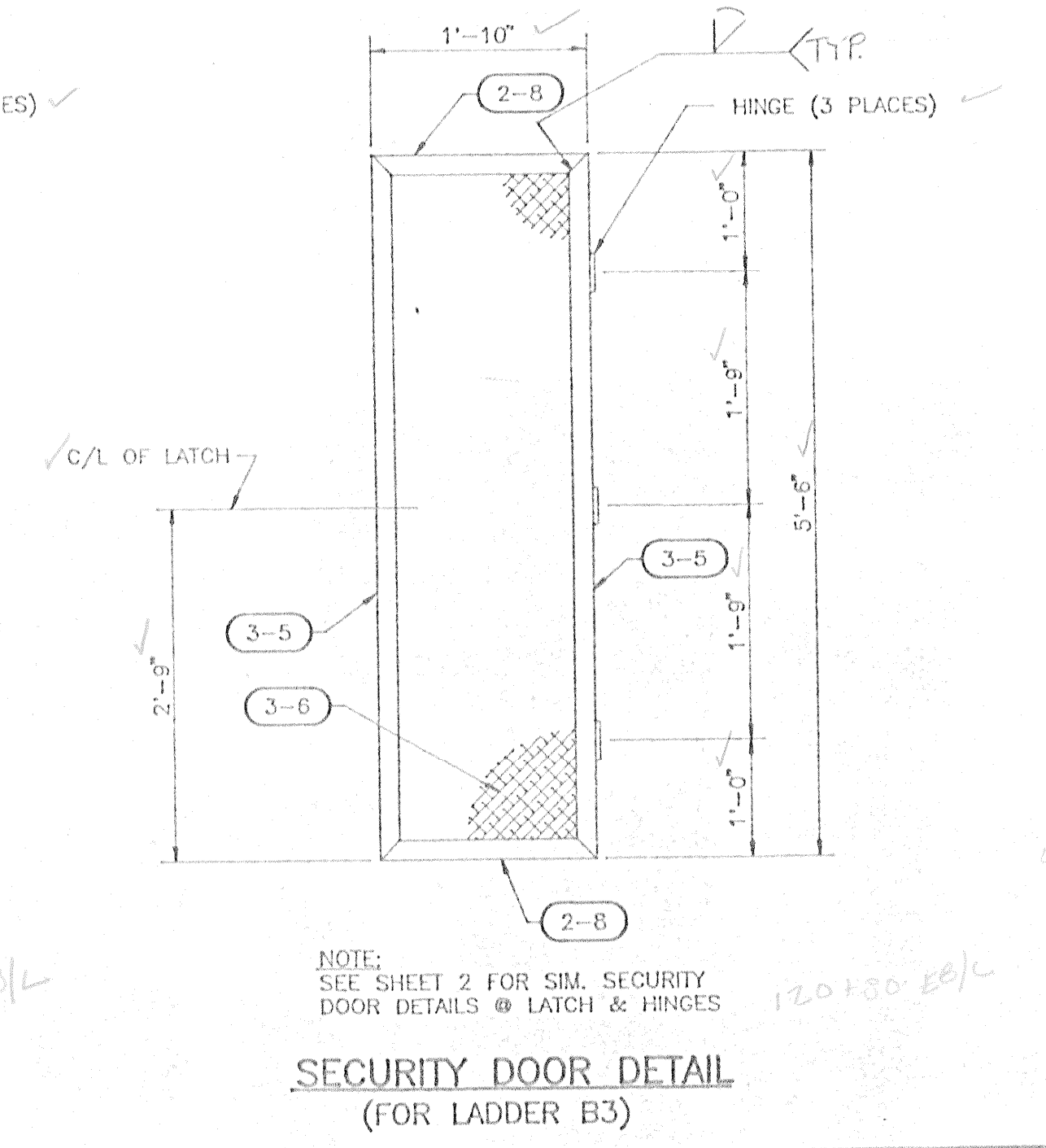
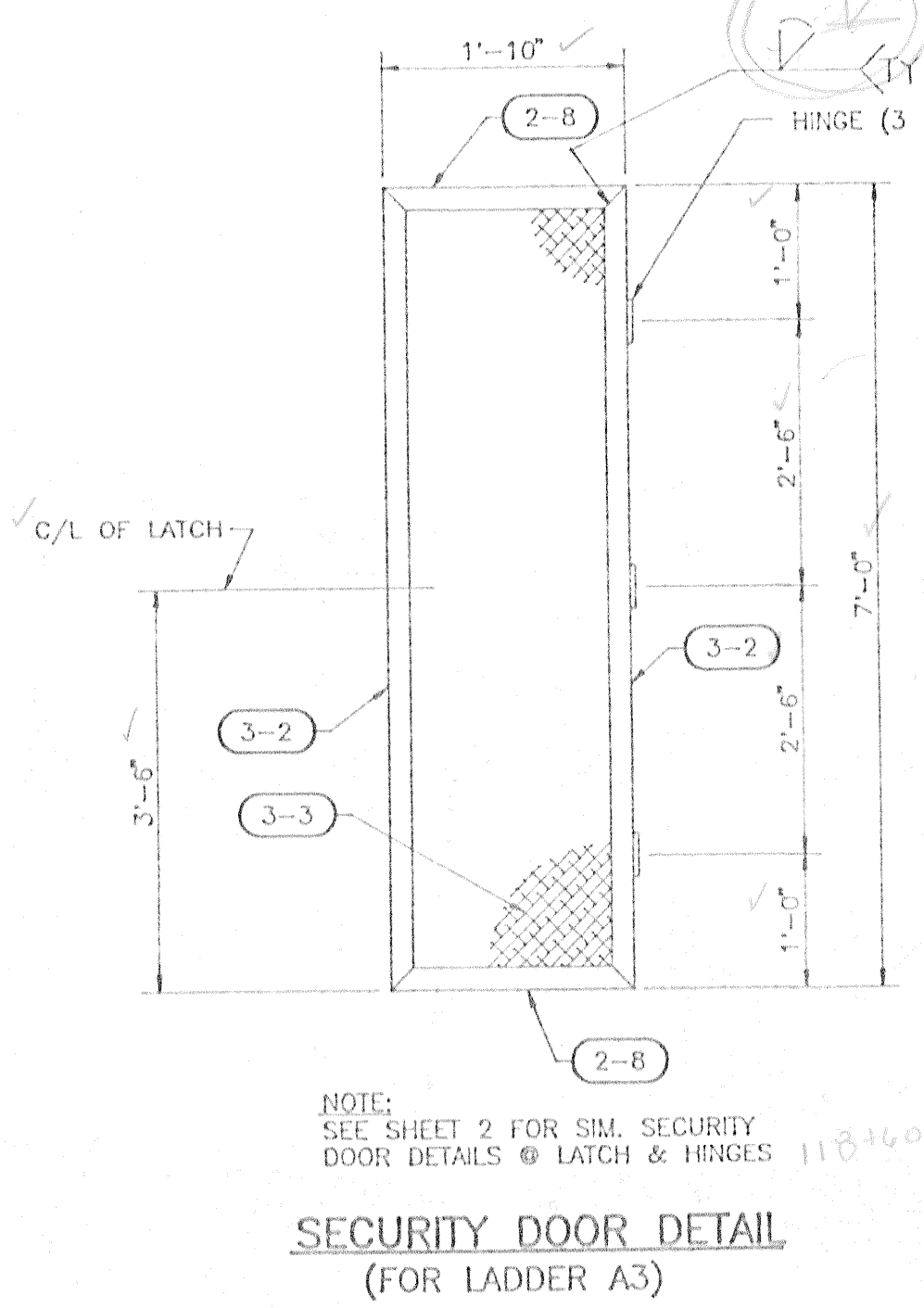
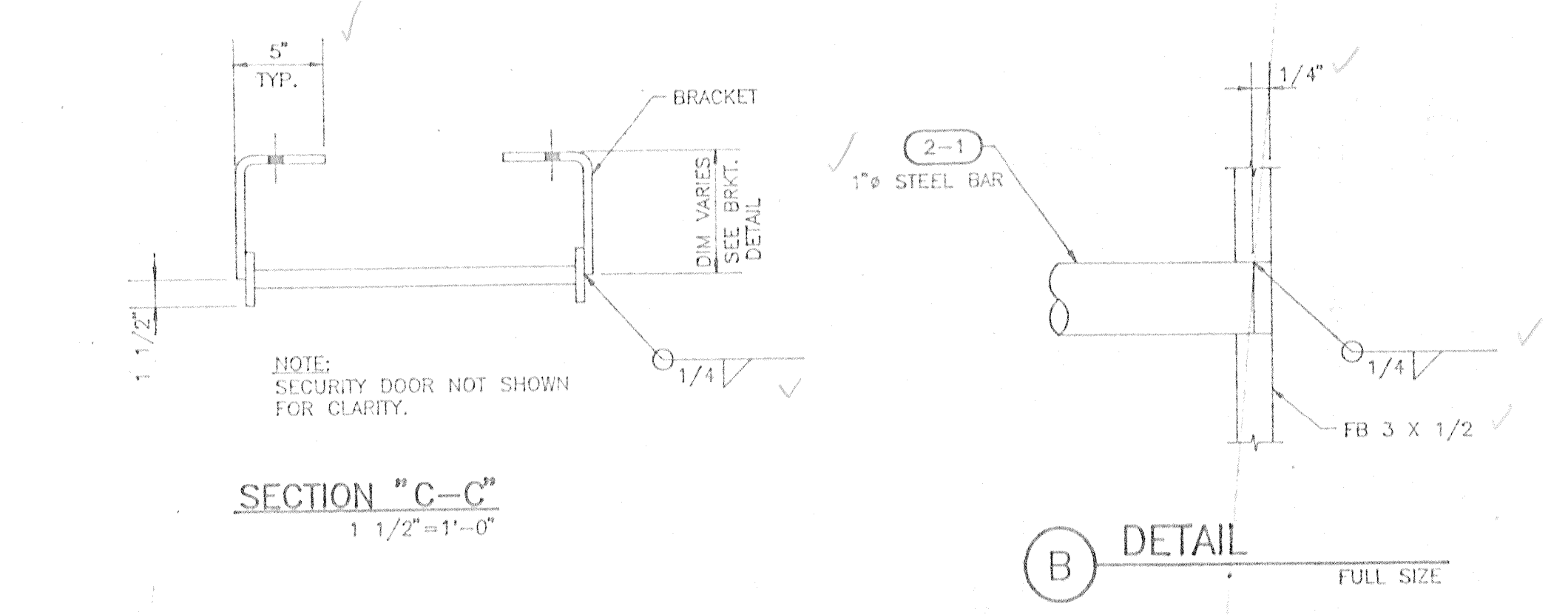
BILL OF MATERIAL					
MARK	QTY	DESCRIPTION	FT	IN	REMARKS
A3	1	LADDER W/ SECURITY DOOR			SEE DETAIL
3-1	2	FB 1/2 X 3	28	3	
3-2	2	FB 3/16 X 2	7	0	
3-3	1	EXPANDED METAL -- 1'-7" WIDE	6	9	
2-1	20	1" STEEL ROD	1	6 1/2	
2-3	4	BENT FB 1/2 X 3	1	0	SEE SHT. 2
2-4	4	BENT FB 1/2 X 3	1	3 1/8	SEE SHT. 2
2-5	4	BENT FB 1/2 X 3	1	6 5/16	SEE SHT. 2
2-6	4	BENT FB 1/2 X 3	1	5	SEE SHT. 2
2-8	2	FB 3/16 X 2	1	10	
2-10	1	FB 1/4 X 1	0	1 1/2	
2-11	1	FB 1/4 X 1	0	1 1/4	
2-12	3	FB 1/2 X 1 1/2	0	4	
2-13	3	HINGES	0	4	
B3	1	LADDER W/ SECURITY DOOR			SEE DETAIL
3-4	2	FB 1/2 X 3	25	2	
3-5	2	FB 3/16 X 2	5	6	
3-6	1	EXPANDED METAL -- 1'-7" WIDE	5	3	
2-1	18	1" STEEL ROD	1	6 1/2	
2-3	4	BENT FB 1/2 X 3	1	0	SEE SHT. 2
2-4	4	BENT FB 1/2 X 3	1	3 1/8	SEE SHT. 2
2-5	4	BENT FB 1/2 X 3	1	6 5/16	SEE SHT. 2
2-6	4	BENT FB 1/2 X 3	1	5	SEE SHT. 2
2-8	2	FB 3/16 X 2	1	10	
2-10	1	FB 1/4 X 1	0	1 1/2	
2-11	1	FB 1/4 X 1	0	1 1/4	
2-12	3	FB 1/2 X 1 1/2	0	4	
2-13	3	HINGES	0	4	

**HARDWARE**  
 32 - 3/4" X 4" LG. EXPANSION ANCHORS (GALV.)



1 LADDER W/ SECURITY DOOR A3  
 3/4" = 1'-0"

1 LADDER W/ SECURITY DOOR B3  
 No SCALE



NOTES:  
 1. SEE SHEET 2 FOR NOTES.  
 2. SEE SHEET 2 FOR LADDER ERECTION DETAIL.

CORPS OF ENGINEERS CONTRACT  
 NO. DACW29-94-B-0047

**MANUFAB** Kenner, La.

LONDON AVE. OUTFALL CANAL, PARALLEL PROTECTION  
 MIRABEAU AVE. TO ROBERT E. LEE BLVD., WEST BANK  
 MIRABEAU AVE. TO LEON C. SIMON BLVD., EAST BANK

SCALE: AS NOTED    DATE: 9/94    APPROVED BY:    DRAWN BY: LM

GENERAL CONTRACTOR: B & K CONSTRUCTION, MANDEVILLE, LA.  
 CONSULTING ENG.: U.S. ARMY ENGINEER DISTRICT, N.O., LA.

LADDERS W/ SECURITY DOORS    DRAWING NUMBER: F-727-3

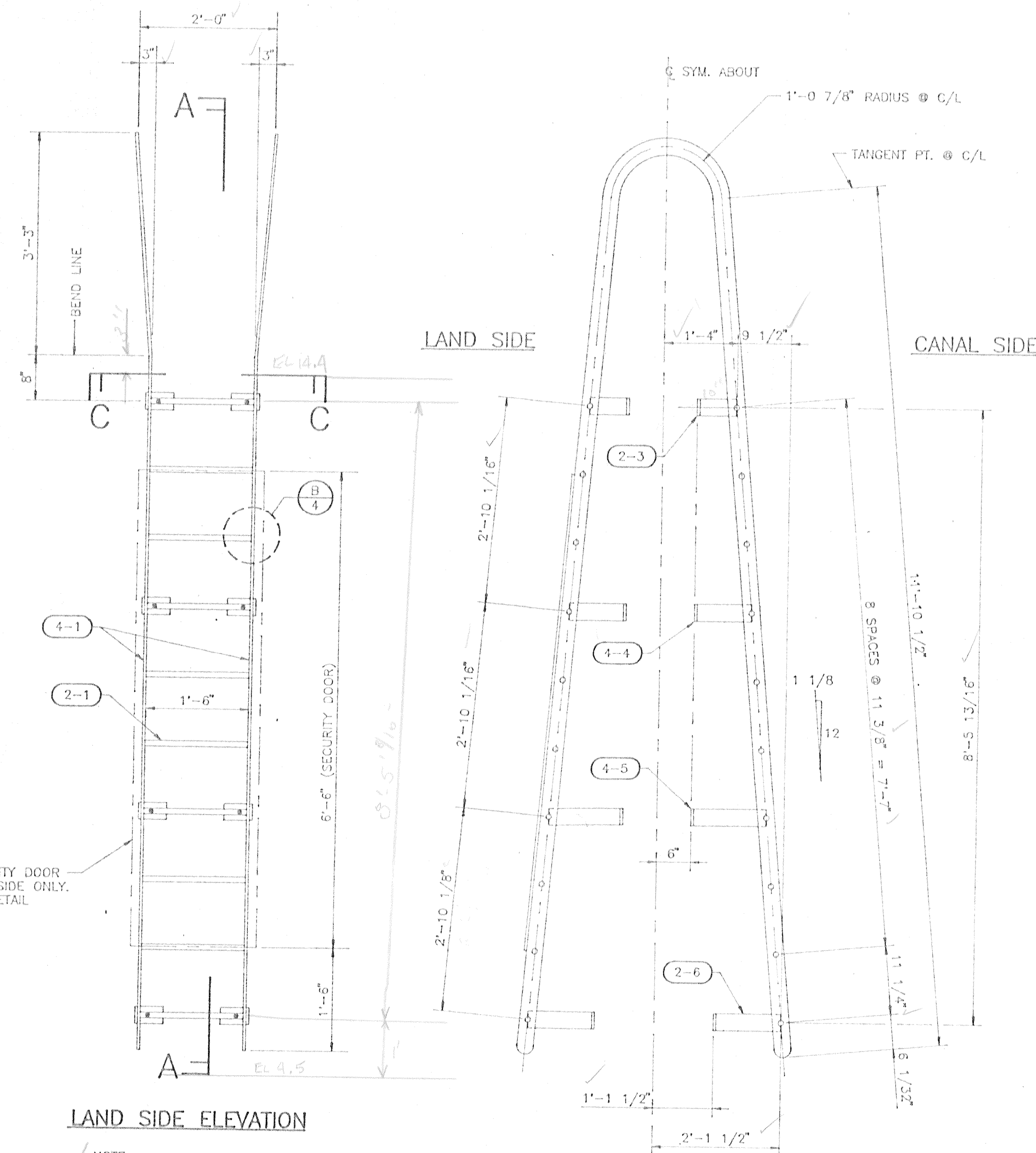
BILL OF MATERIAL

F-727-4

MARK	QTY	DESCRIPTION	FT	IN	REMARKS
A4	1	LADDER W/ SECURITY DOOR			SEE DETAIL
4-1	2	FB 1/2 X 3	27	7	
4-2	2	FB 3/16 X 2	6	6	
4-3	1	EXPANDED METAL - 1'-7" WIDE	6	3	
4-4	4	BENT FB 1/2 X 3	1	6 1/8	SEE DETAIL
4-5	4	BENT FB 1/2 X 3	1	9 5/16	SEE DETAIL
2-1	20	1" STEEL ROD	1	6 1/2	
2-3	4	BENT FB 1/2 X 3	1	0	SEE SHT. 2
2-6	4	BENT FB 1/2 X 3	1	5	SEE SHT. 2
2-8	2	FB 3/16 X 2	1	10	
2-10	1	FB 1/4 X 1	0	1 1/2	
2-11	1	FB 1/4 X 1	0	1 1/4	
2-12	3	FB 1/2 X 1 1/2	0	4	
2-13	3	HINGES	0	4	

HARDWARE

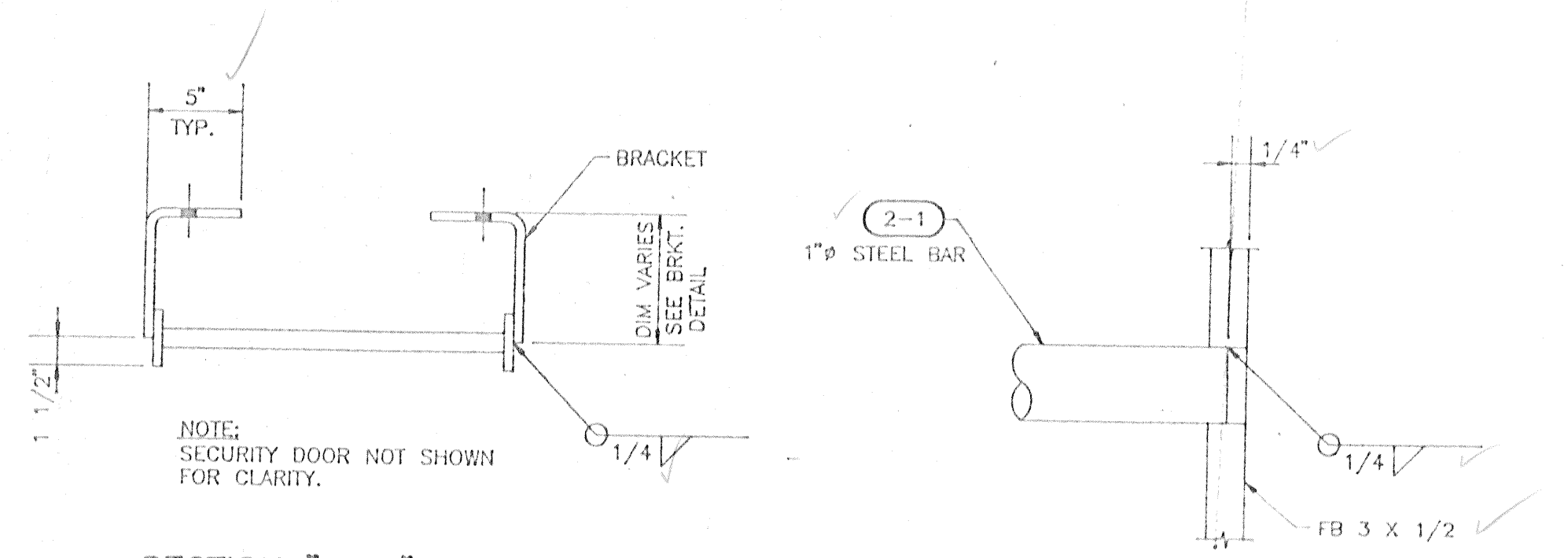
8 - 3/4" X 4" LG. EXPANSION ANCHORS (GALV.)



LAND SIDE ELEVATION

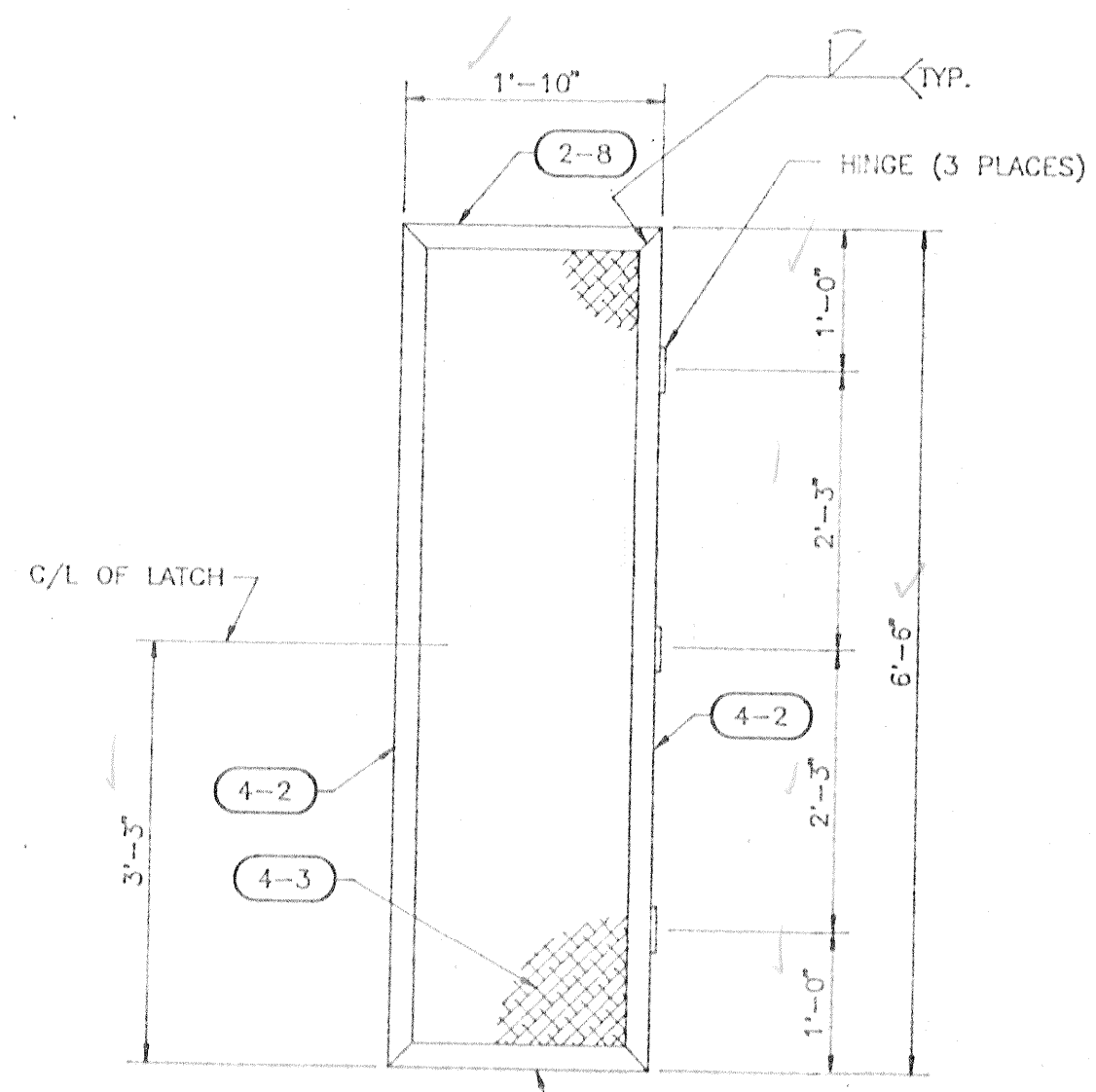
SECTION "A-A"

1 LADDER W/ SECURITY DOOR A4  
NO SCALE

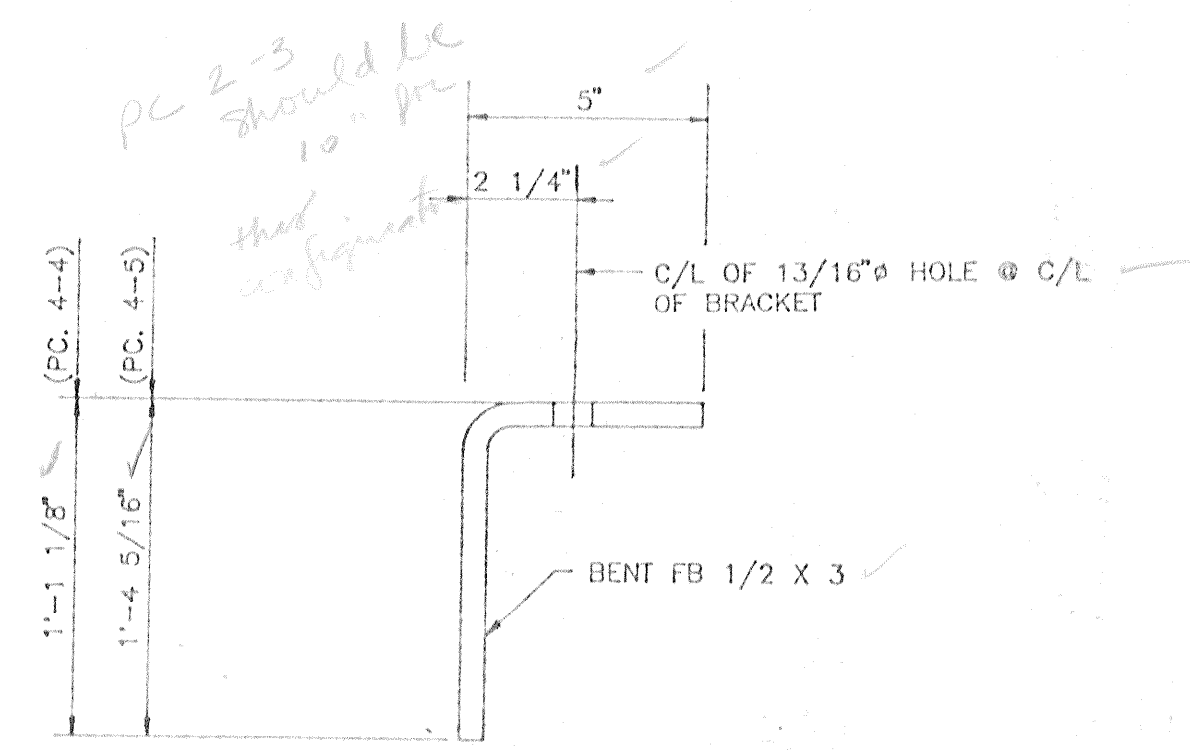


SECTION "C-C"

DETAIL B FULL SIZE



SECURITY DOOR DETAIL



DETAIL OF PC "4-4"  
DETAIL OF PC "4-5"

- NOTES:  
1. SEE SHEET 2 FOR NOTES.  
2. SEE SHEET 2 FOR LADDER ERECTION DETAIL.

CORPS OF ENGINEERS CONTRACT  
NO. DACW29-94-B-0047

**MANUFAB** Kenner, La.

LONDON AVE. OUTFALL CANAL, PARALLEL PROTECTION  
MIRABEAU AVE. TO ROBERT E. LEE BLVD., WEST BANK  
MIRABEAU AVE. TO LEON C. SIMON BLVD., EAST BANK

SCALE: AS NOTED DATE: 9/94 APPROVED BY: DRAWN BY: LM

GENERAL CONTRACTOR: B & K CONSTRUCTION, MANDEVILLE, LA.  
CONSULTING ENG.: U.S. ARMY ENGINEER DISTRICT, N.O., LA.

LADDERS W/ SECURITY DOORS DRAWING NUMBER: F-727-4