

HWY-08-M-H012  
Mexican Hat, Utah

**MCI J Series "Maintenance Manual" (Pages Intro 3-4)**  
**Motorcoach Engineer's Drawing with Dimensions**

(3 pages)

# MCI J SERIES MAINTENANCE MANUAL

Date March 2003

Page Intro-3

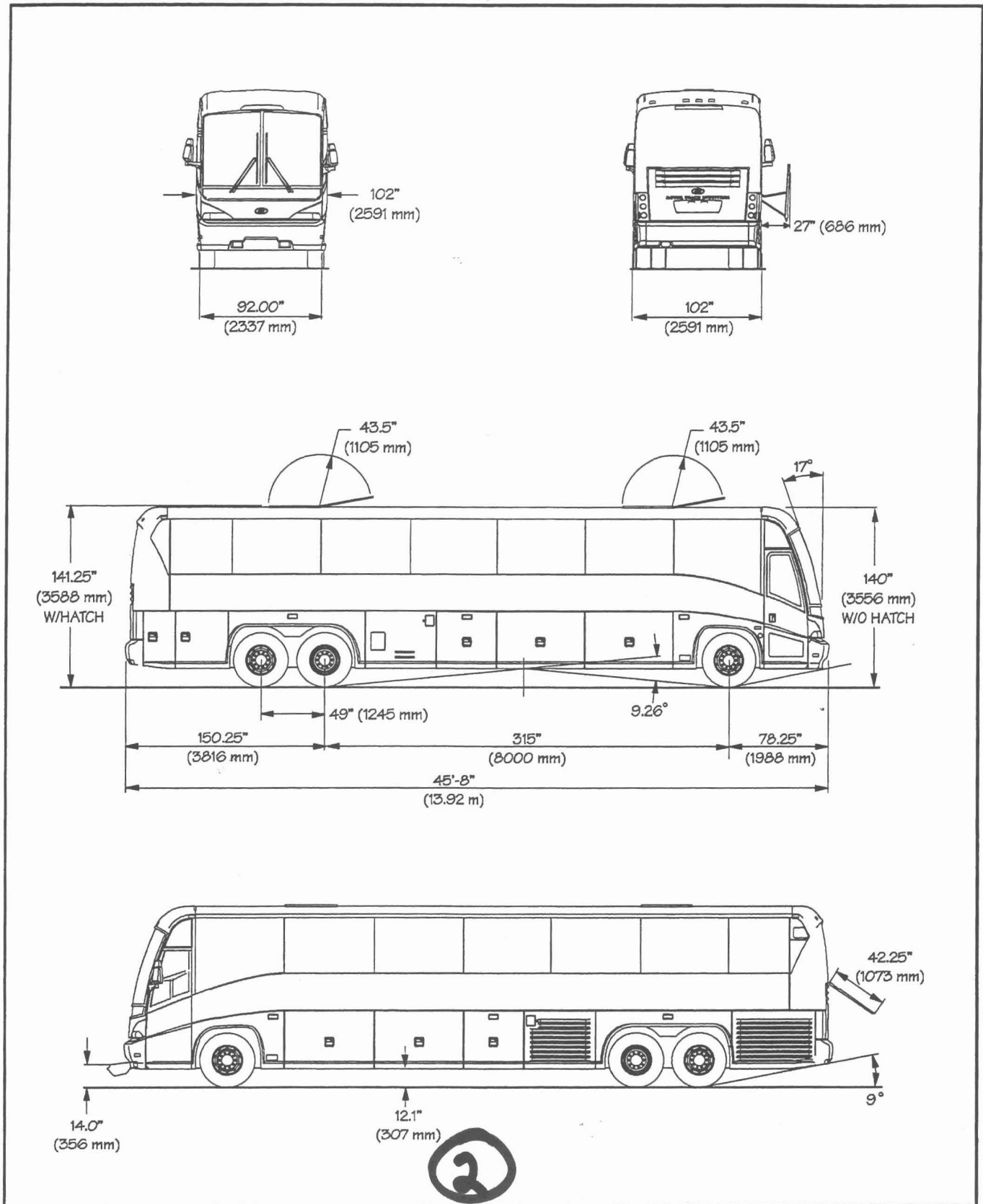


Figure 1. J4500 Model Body and Door Clearance Diagram

# MCI J SERIES MAINTENANCE MANUAL

Date March 2003

Page Intro-4

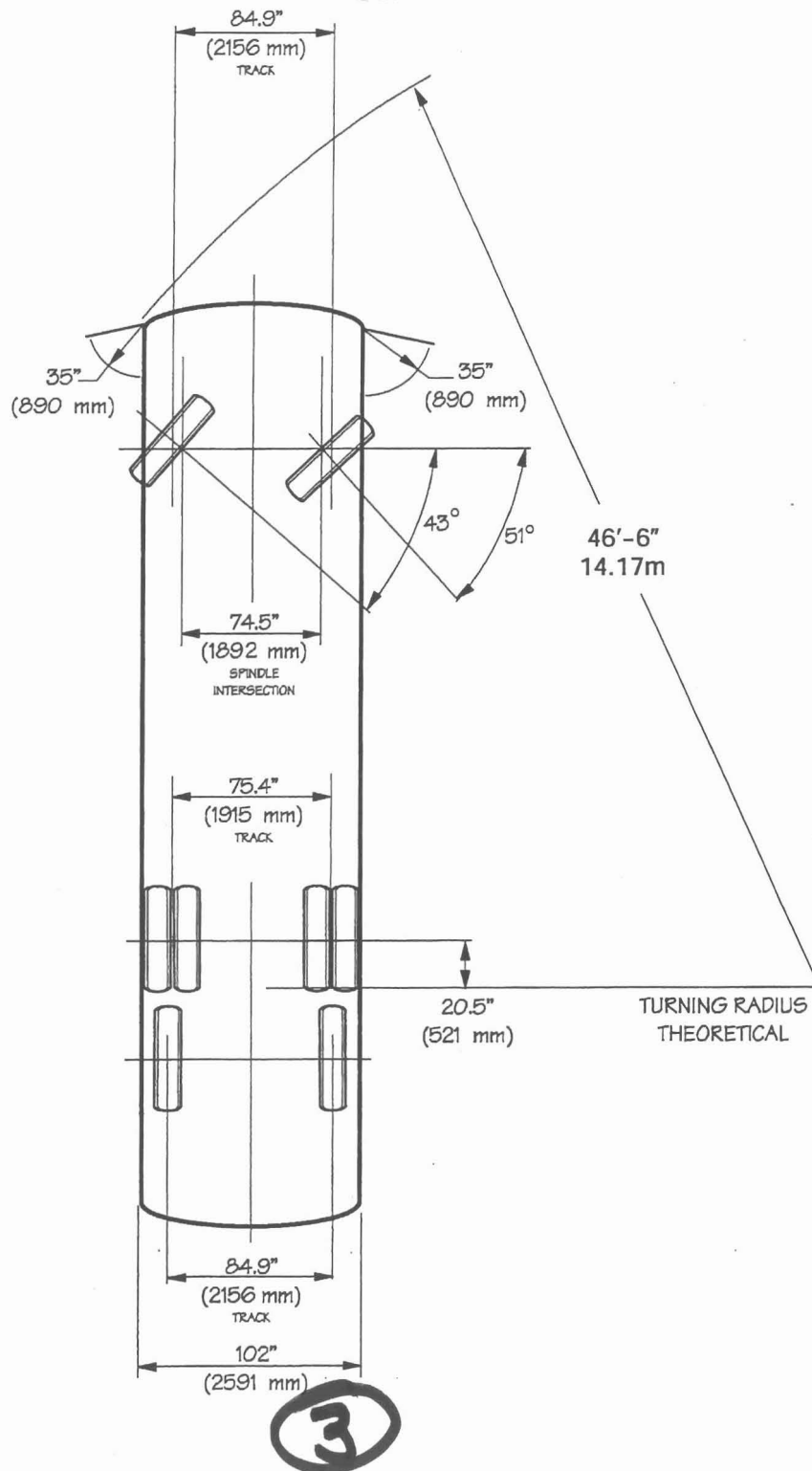


Figure 2. Turning Radius and Door Clearance