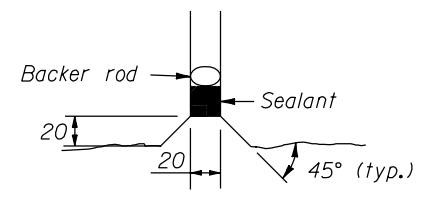
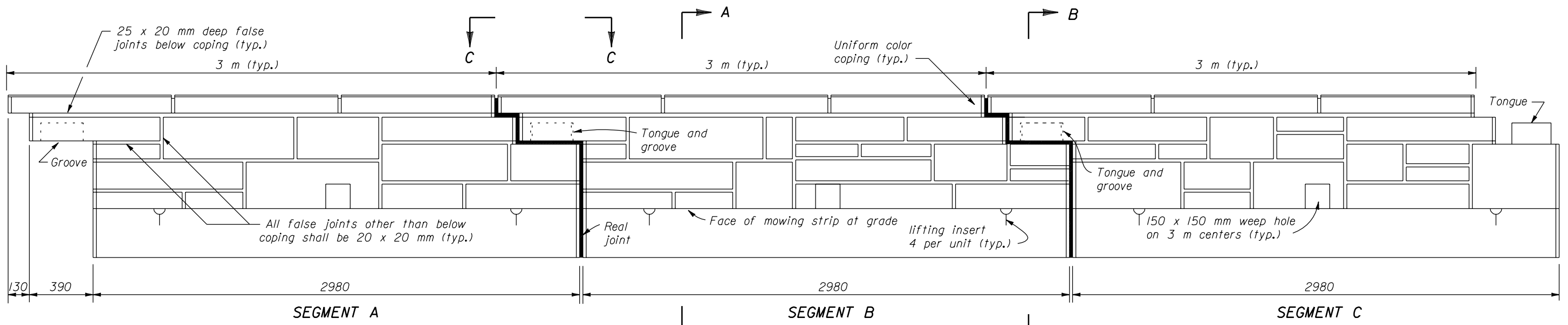


BENDING DIAGRAMS

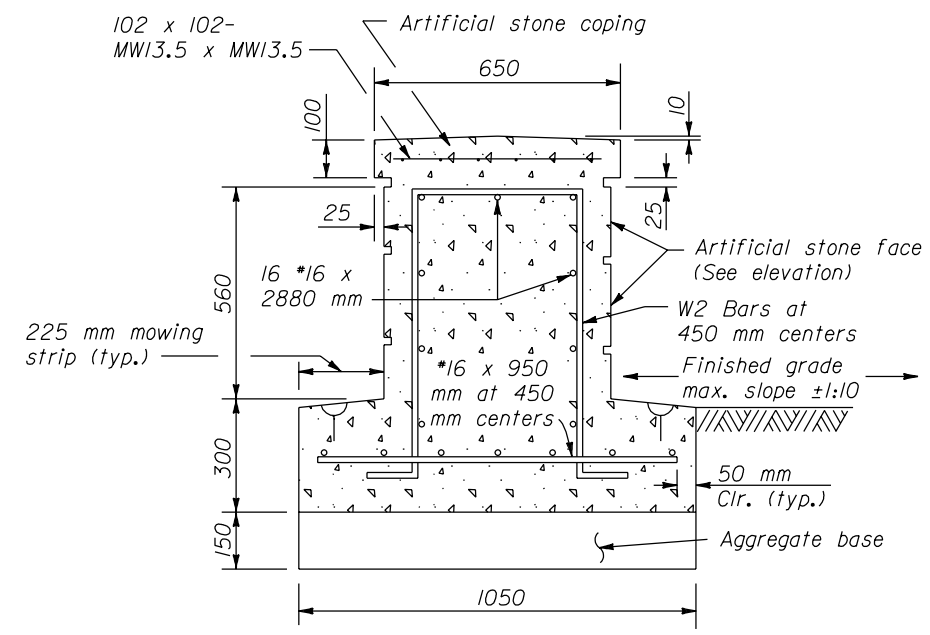


REAL JOINTS DETAIL

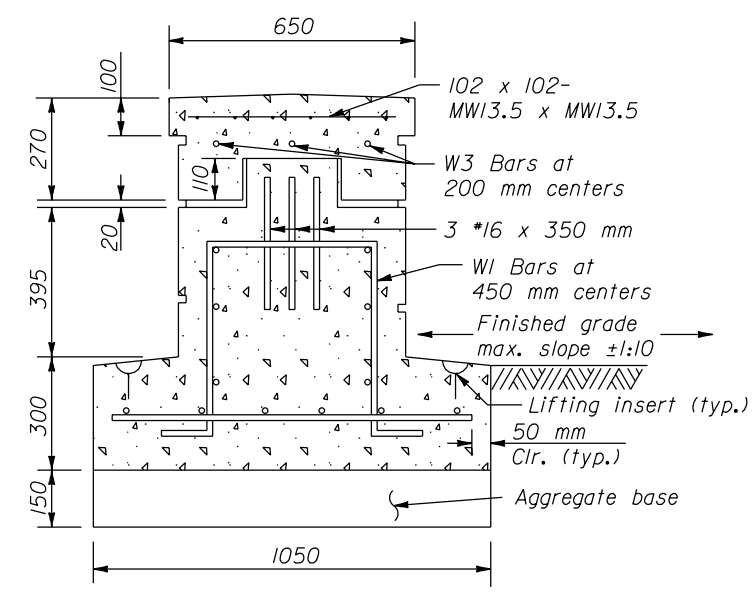
- NOTE:**
- Dimensions not labeled are in millimeters.
 - Each unit consists of three segments each of which have a different random masonry pattern as shown. All three segments are to interlock with each other to vary the order.
 - Sealant for the real joint covers the perimeter joint of the capstone, sides, and top and sides of the footing.
 - Precast the entire wall section, no cast-in-place is allowed.
 - Minimum concrete cover 50 mm unless shown otherwise.



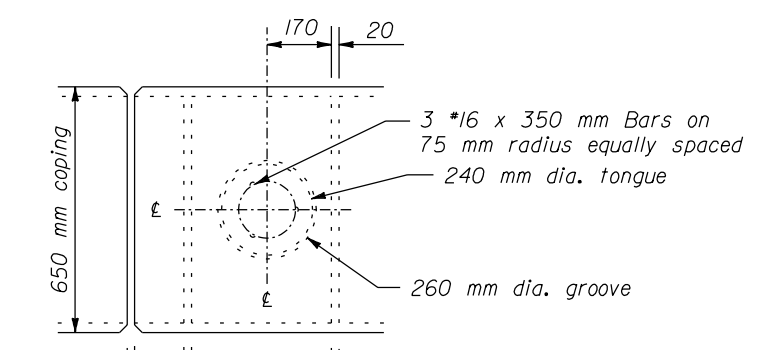
ELEVATION
PRECAST CONCRETE GUARDWALL



SECTION A-A



SECTION B-B



VIEW C-C

NO SCALE

U.S. DEPARTMENT OF TRANSPORTATION FEDERAL HIGHWAY ADMINISTRATION FEDERAL LANDS HIGHWAY	
METRIC STANDARD	
PRECAST CONCRETE GUARDWALL, TYPE I	
STANDARD APPROVED FOR USE 3/1996	STANDARD M618-2
REVISED: 6/1997	

20 NOV 2000
f:\standrow\metric\mst61802.dgn