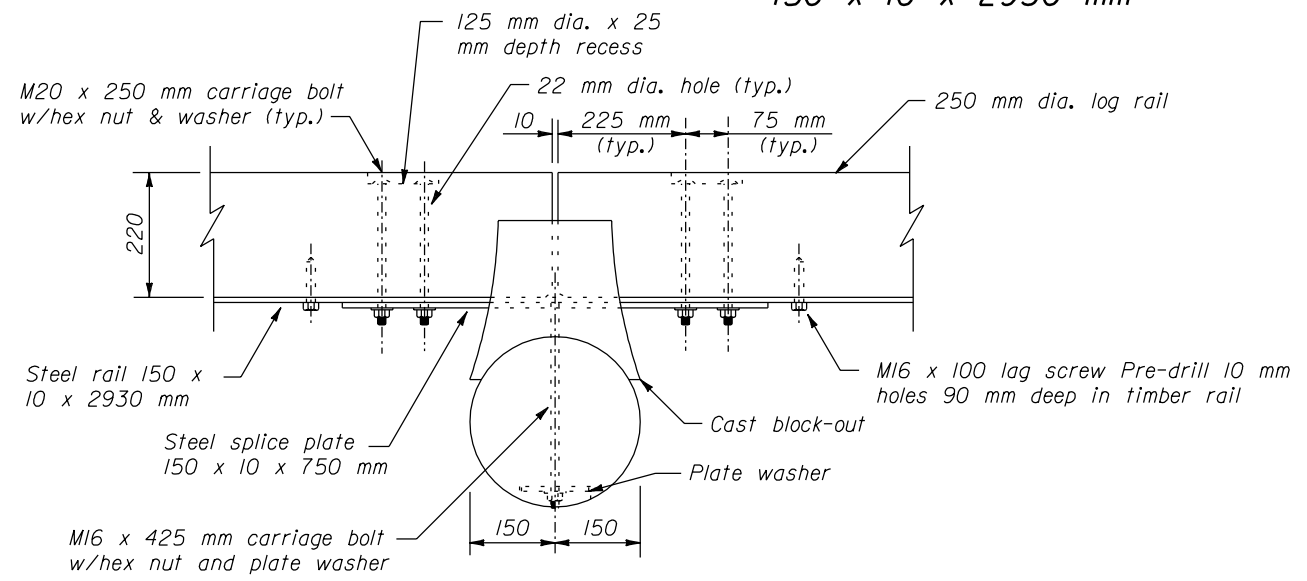
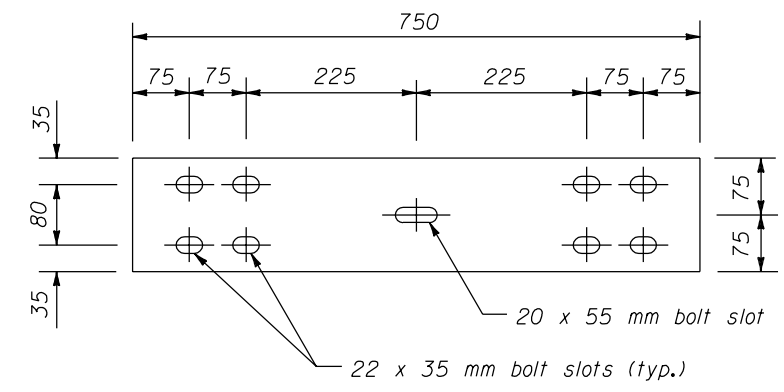


STEEL RAIL
150 x 10 x 2930 mm

- NOTE:**
1. Dimensions not labeled are in millimeters.
 2. For details of the cast block-out and general notes for Steel-Backed Log Guardrail See Standard M617-81.
 3. Furnish hardware in the metric sizes shown. Equivalent imperial sizes may be used when metric sizes are not available.



PLAN



STEEL SPLICE PLATE
150 x 10 x 750 mm

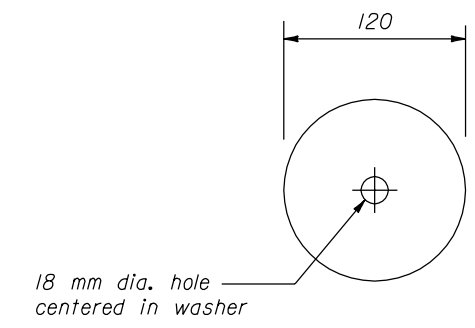
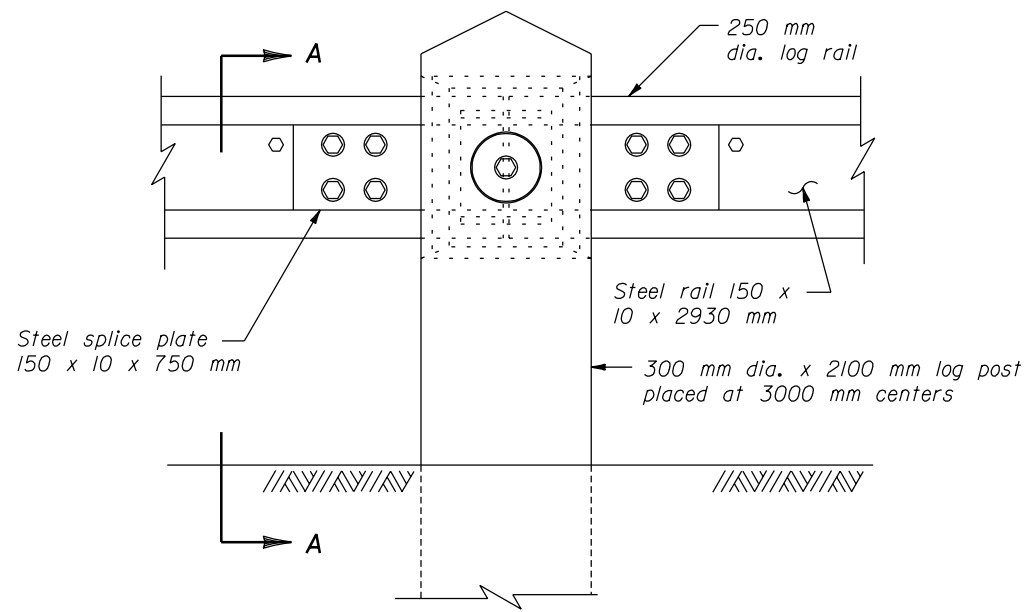
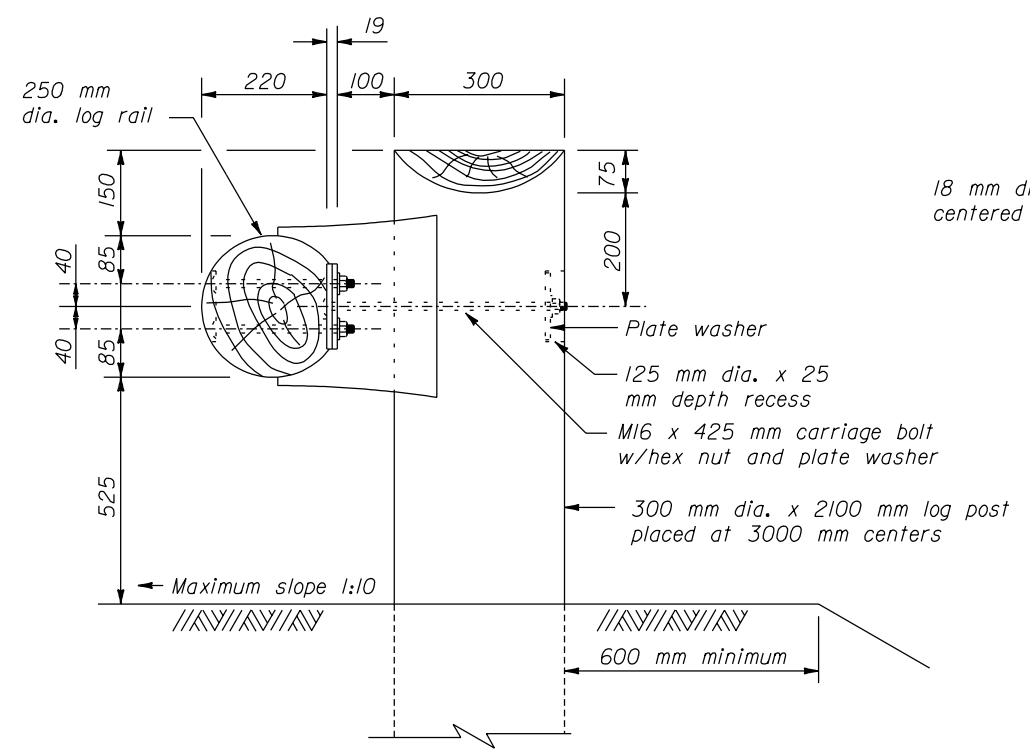


PLATE WASHER
120 mm Dia. 6 mm



ELEVATION

POST CONNECTION



SECTION A-A

NO SCALE

U.S. DEPARTMENT OF TRANSPORTATION FEDERAL HIGHWAY ADMINISTRATION FEDERAL LANDS HIGHWAY	
METRIC STANDARD	
STEEL-BACKED LOG RAIL	
STANDARD APPROVED FOR USE 3/1996	STANDARD
REVISED:	M617-80

22 NOV 2000 f:\standrow\metric\mst61780.dgn