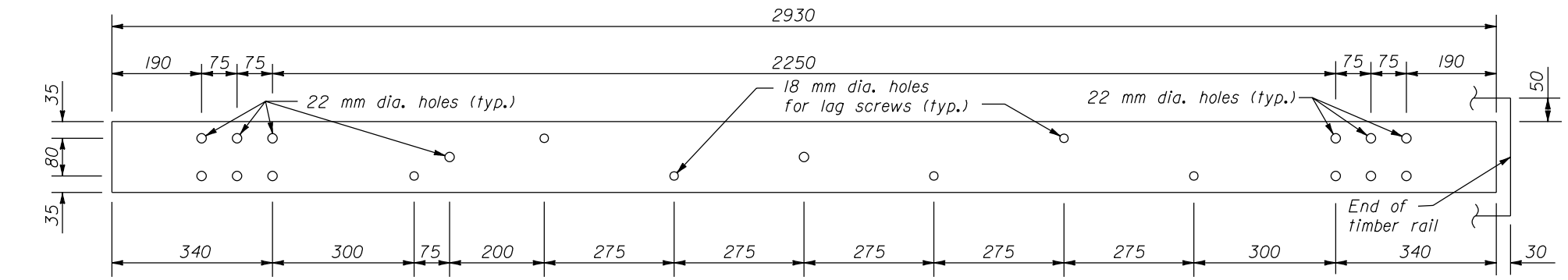
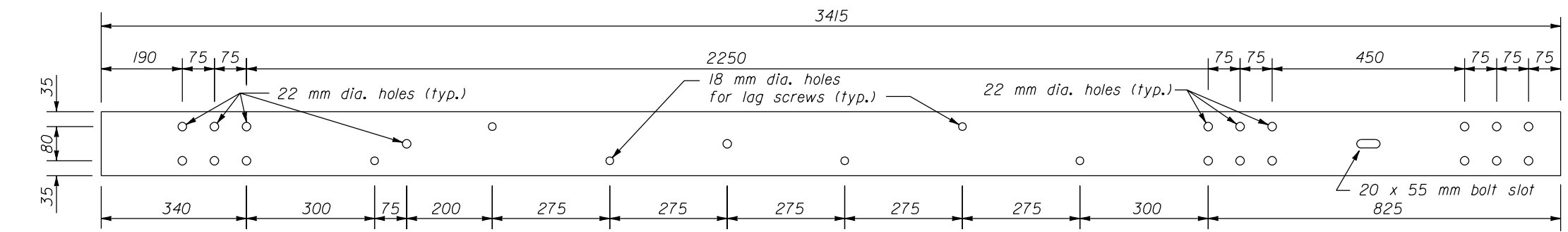


TERMINAL SECTION 150 x 10 x 2930 mm

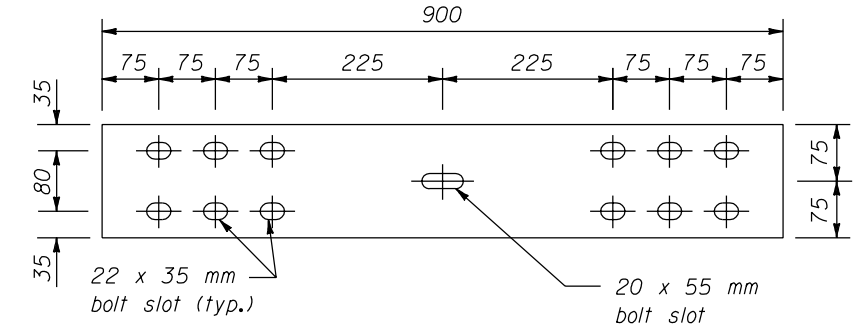


TRANSITION SECTION 150 x 10 x 2930 mm

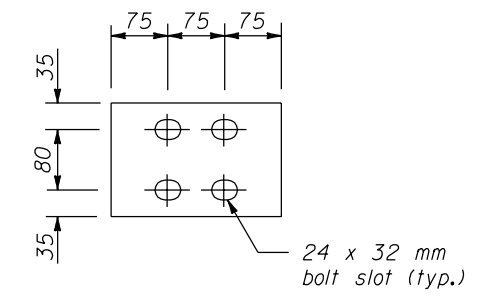


TRANSITION SECTION 150 x 10 x 3415 mm

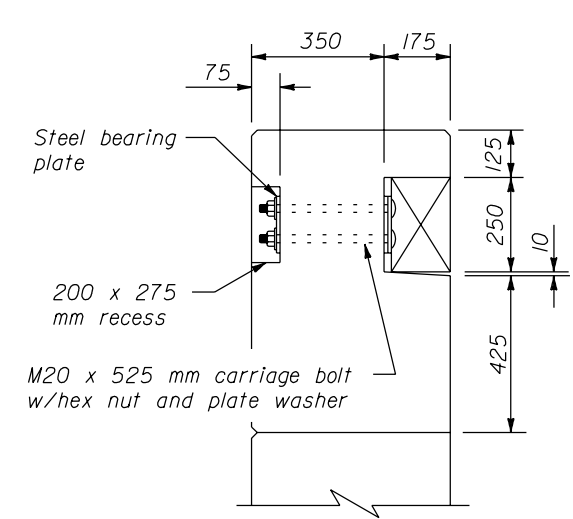
- NOTE:**
- Dimensions not labeled are in millimeters.
 - Pre-drill 18 mm holes in blocks outs and posts.
 - Furnish hardware in the metric sizes shown. Equivalent imperial sizes may be used when metric sizes are not available.



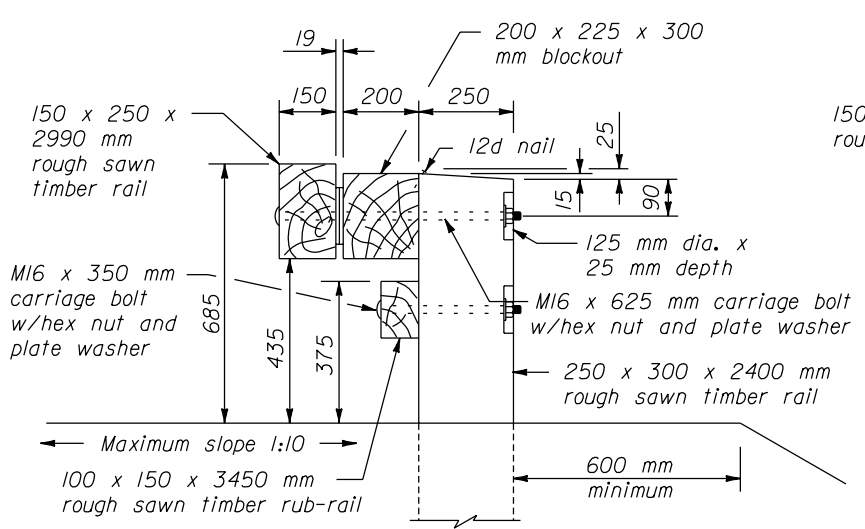
STEEL SPLICE PLATE 150 x 10 x 900 mm



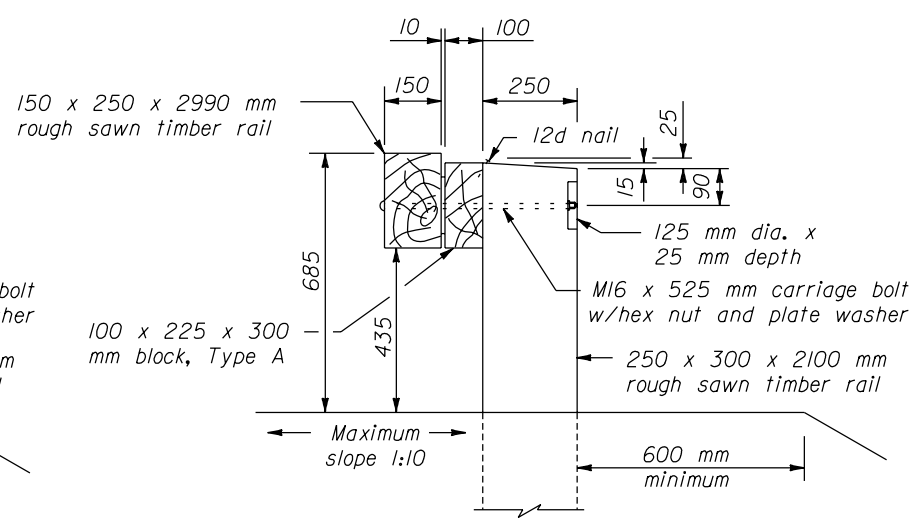
STEEL BEARING PLATE 150 x 10 x 225 mm



SECTION A-A



SECTION B-B



SECTION C-C

NO SCALE

U.S. DEPARTMENT OF TRANSPORTATION
FEDERAL HIGHWAY ADMINISTRATION
FEDERAL LANDS HIGHWAY

METRIC STANDARD

**STEEL-BACKED
TIMBER GUARDRAIL
BRIDGE CONNECTION**

STANDARD APPROVED FOR USE 3/1996

REVISOR: STANDARD
M617-66

22 NOV 2000 f:\standrow\metric\mstr61766.dgn