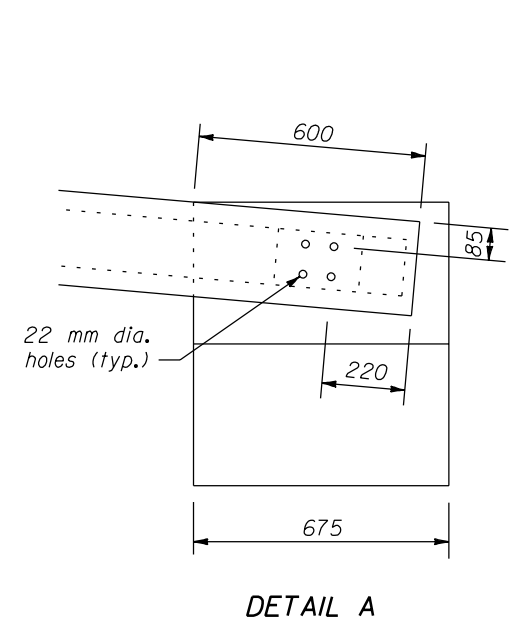


APPROACH & DEPARTURE FLARE WITH  
FLARED ANCHOR TERMINAL (FAT)

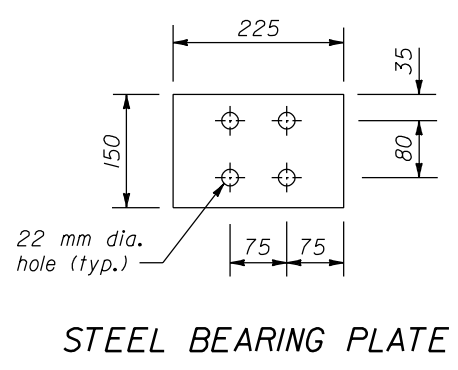
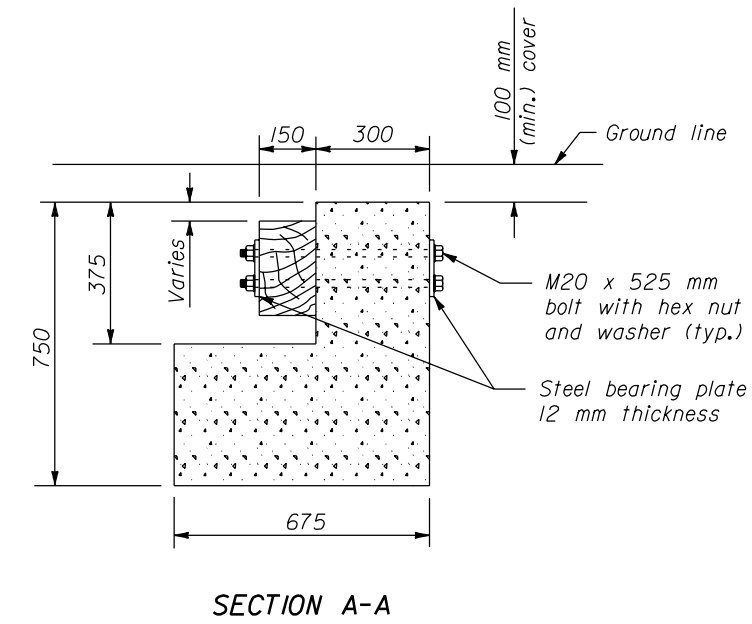
NOTE:

- Dimensions not labeled are in millimeters.
- Use 9 m long Type FAT-9 (Flared Anchor Terminal) terminal section or the 6 m long Type FAT-6 (Flared Anchor Terminal) terminal section as specified.
- For the Type FAT-6 terminal section, the third rail on the Type FAT-9 terminal section is deleted and the concrete anchor is relocated to the end of the second rail. See Standard M204-1, Earth berm for Roadside Barrier Terminal Sections, for construction of the earth berm.
- For the Type FAT-9 terminal section, extend the fill widening a minimum of 1.5 m behind the guardrail, unless otherwise directed by the CO.
- The guardrail flare shown in the plan view is the minimum length and rate required. As directed by the CO, flare the guardrail so that the terminal section is outside the clear zone. If the terminal section cannot be located outside the clear zone, it should be flared as far as practical from the road at the maximum rate indicated on the Guardrail Flare Rates table.
- See Standard M617-60, Steel-Backed Timber Guardrail, Type SBTA and SBTB, for timber, structural steel, and hardware details.
- On the Type A, blocked-out guardrail, include the blocks in terminal section, except on the concrete anchor. For the Type B, non-blocked-out guardrail, no blocks are included.
- Finish hardware in the metric sizes shown. Equivalent imperial sizes may be used when metric sizes are not available.

Design Speed (km/h)	Shy line offset (m)	Flare rate inside shy line (a:b)	Flare rate outside shy line (a:b)
100	2.5	26:1	13:1
80	2.0	21:1	11:1
60	1.5	17:1	9:1
50 or less	1.0	13:1	7:1



CONCRETE ANCHOR



U.S. DEPARTMENT OF TRANSPORTATION  
FEDERAL HIGHWAY ADMINISTRATION  
FEDERAL LANDS HIGHWAY

METRIC STANDARD

STEEL-BACKED TIMBER GUARDRAIL  
TERMINAL SECTION  
TYPE FAT-9 AND TYPE FAT-6

STANDARD APPROVED FOR USE 3/1996

REVISOR:

STANDARD  
M617-61

NO SCALE

f:\standrow\metric\mstr61761.dgn 22 NOV 2000