

STEEL RAIL

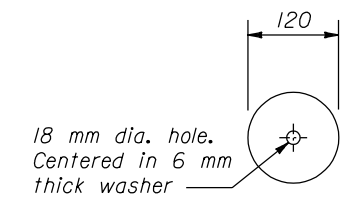
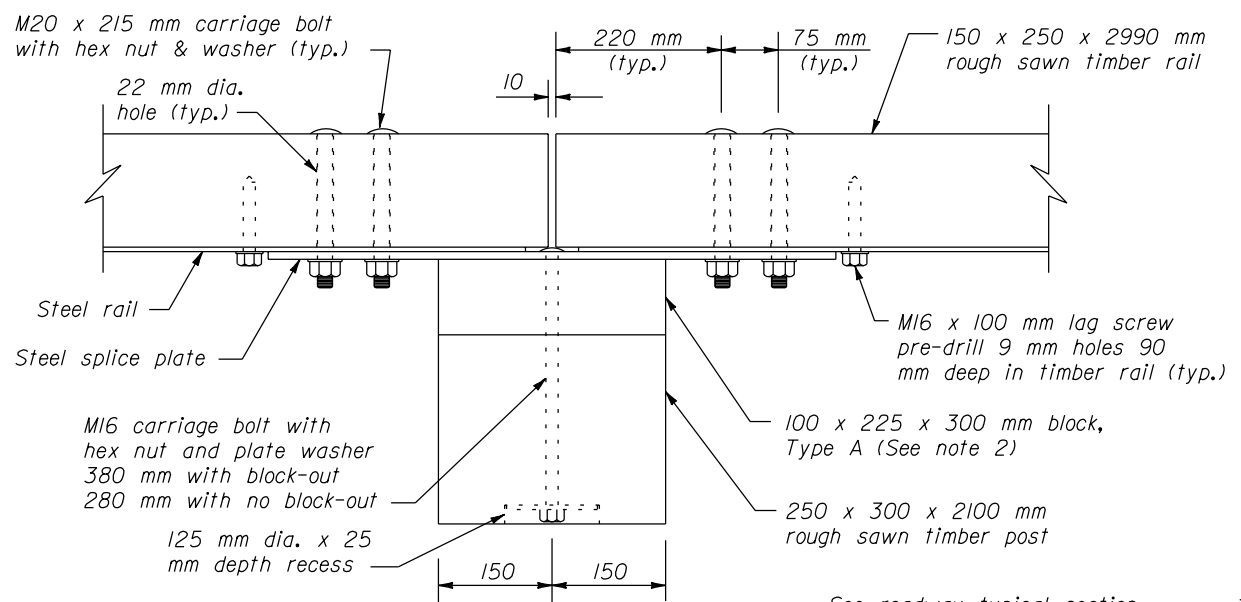
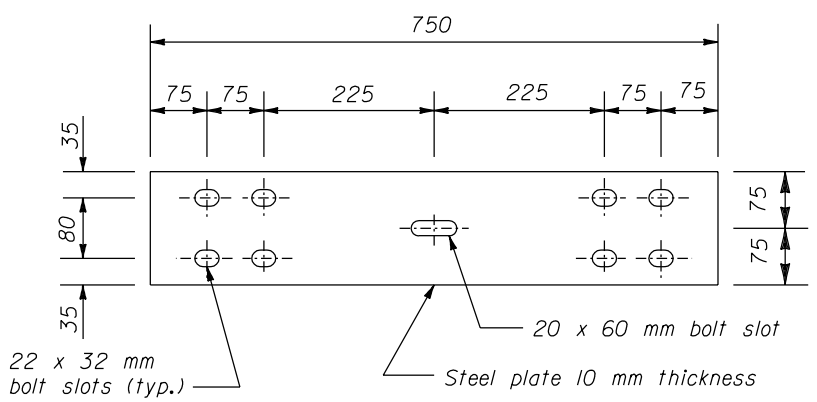


PLATE WASHER

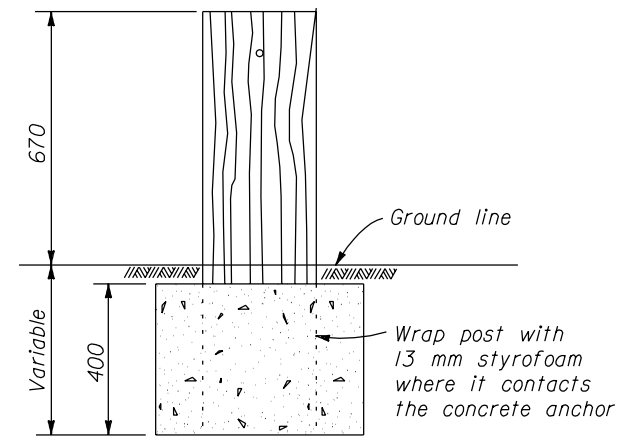
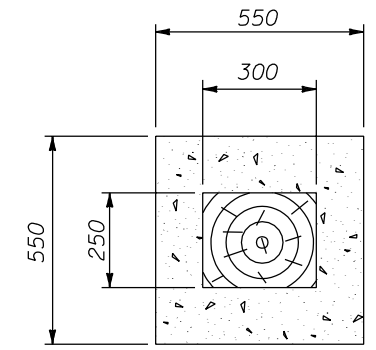
- NOTE:**
- Dimensions not labeled are in millimeters.
 - Use the Type A, blocked-out, system or the Type B, non-blocked-out, system as specified.
 - Use weathering steel for all structural steel and fastener hardware as specified.
 - Place a terminal section (See Standards M617-61 and M617-62) on both approach and trailing ends of barrier installations.
 - Furnish hardware in the metric sizes shown. Equivalent imperial sizes may be used when metric sizes are not available.



PLAN

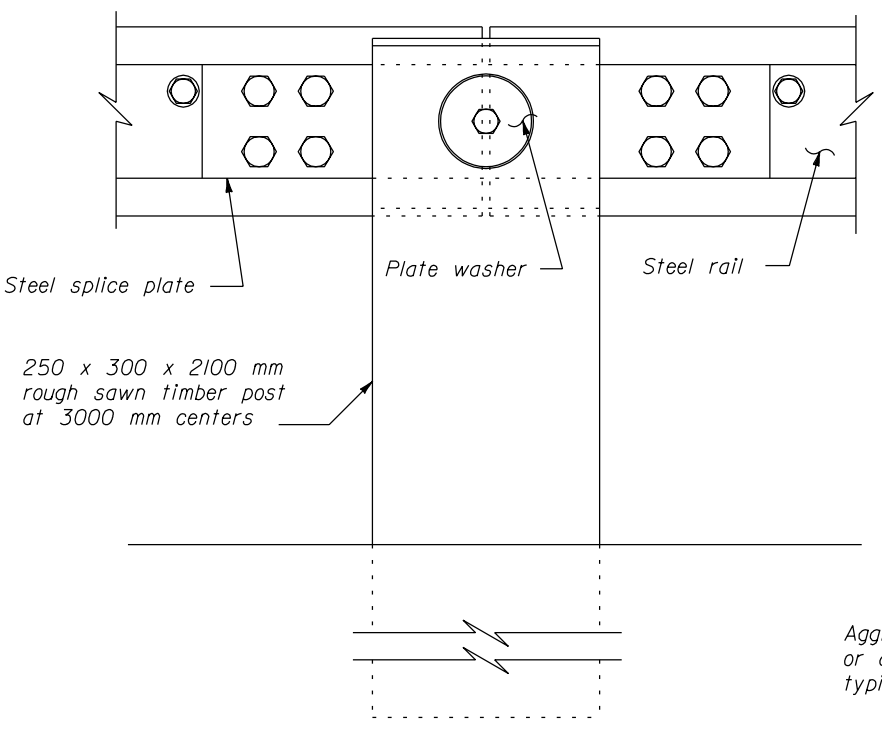


STEEL SPLICE PLATE

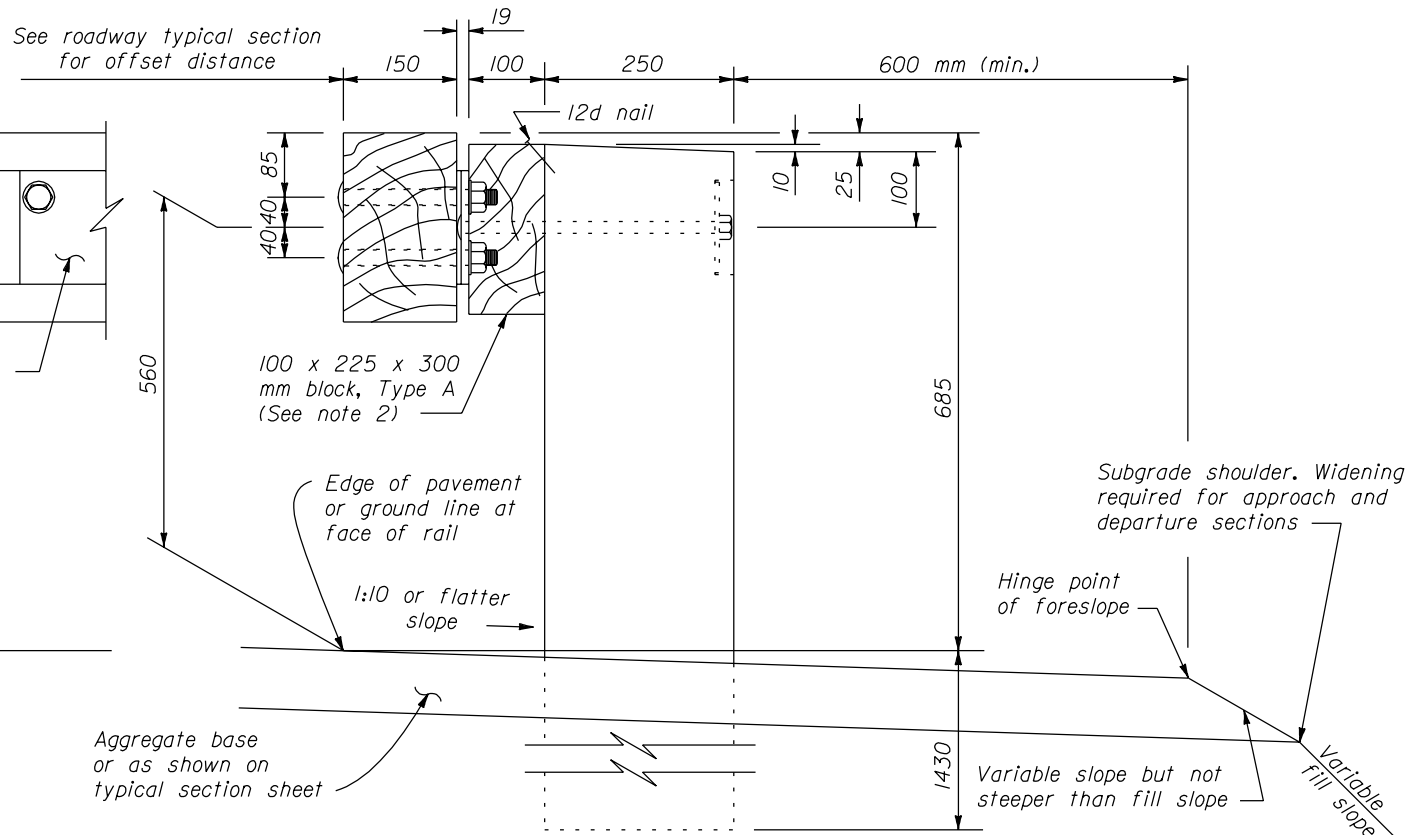


Use 600 mm diameter round anchor. Reduced size acceptable in solid rock.

CONCRETE ANCHOR FOR SHORT GUARDRAIL POST



ELEVATION POST CONNECTION



TYPICAL GUARDRAIL CROSS SECTION

NO SCALE

U.S. DEPARTMENT OF TRANSPORTATION FEDERAL HIGHWAY ADMINISTRATION FEDERAL LANDS HIGHWAY	
METRIC STANDARD	
STEEL-BACKED TIMBER GUARDRAIL, TYPE A & TYPE B	
STANDARD APPROVED FOR USE 3/1996 REVISED: 6/1997	STANDARD M617-60

22 NOV 2000 f:\standrow\metric\m61760.dgn