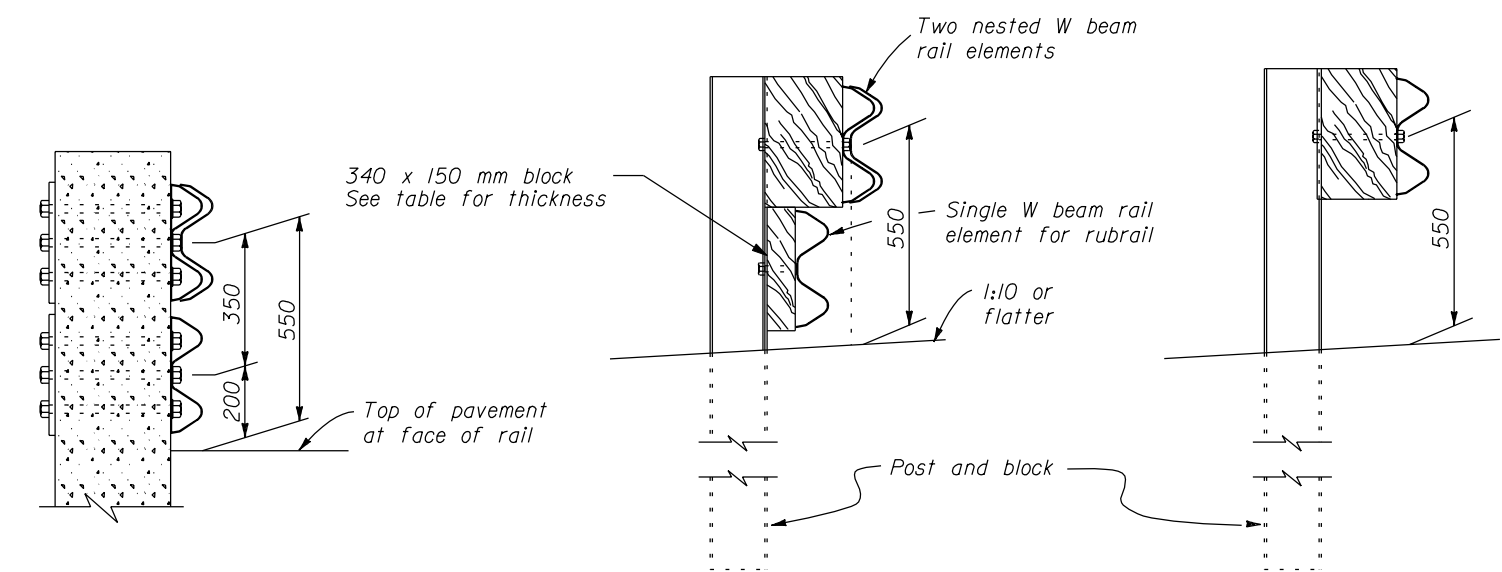


BEARING PLATE



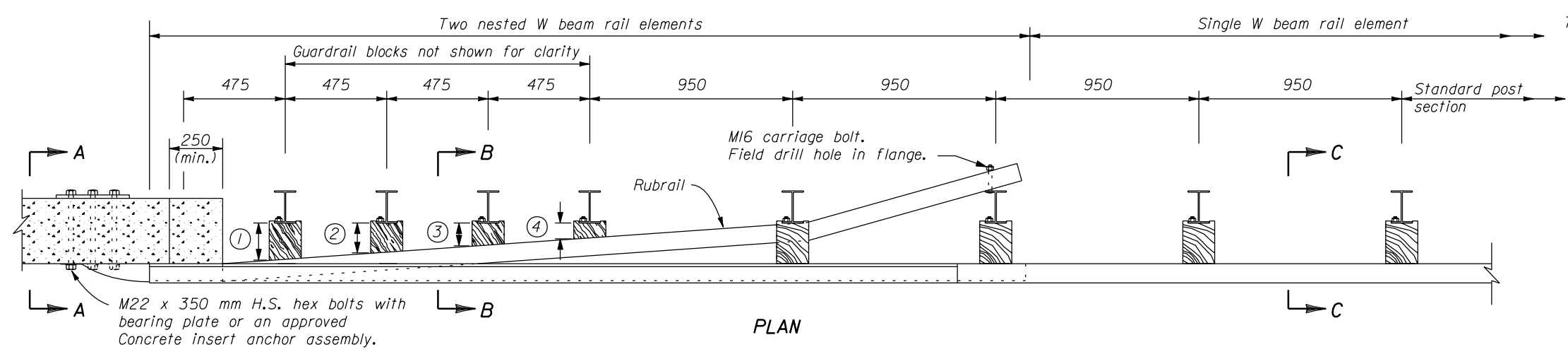
SECTION A-A

SECTION B-B

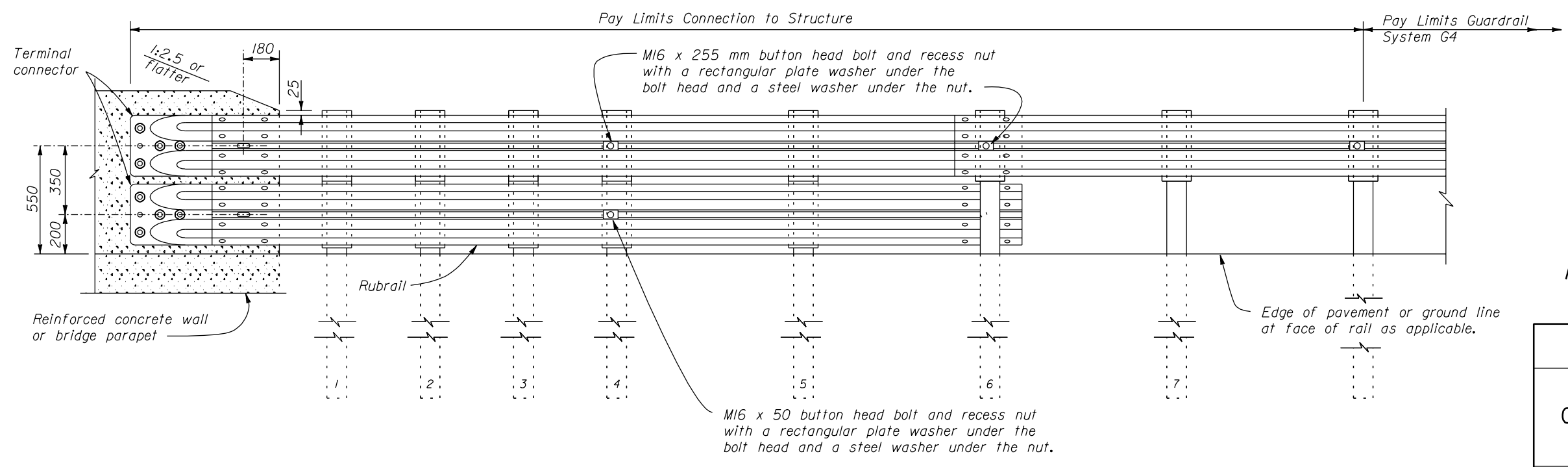
SECTION C-C

- NOTE:**
- Dimensions not labeled are in millimeters
 - The rubrail may be shop bent in the last 950 mm to facilitate installation.
 - Offset drill wood blocks for rubrail to sit squarely on the post flange posts 1 through 4. Secure blocks to post 1 through 3 with M16 carriage bolts.
 - Posts 1, 2, 3, 4 and 6 require an additional hole to attach wood blocks for rubrail and/or the rubrail.
 - Do not bolt nested W beam or rubrail W beam to posts and blocks on posts 1, 2, 3 and 5. Bolt blocks directly to posts.
 - Reinforced concrete wall or bridge parapet must be capable of developing a 265 kN pull out strength.
 - Furnish hardware in the metric sizes shown. Equivalent imperial sizes may be used when metric sizes are not available.

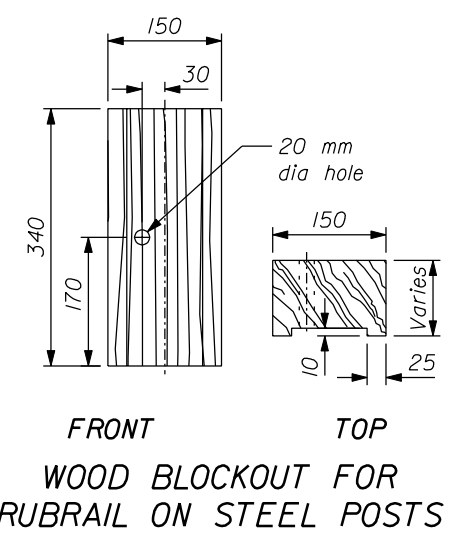
WOOD BLOCKS FOR RUBRAIL	
POST	THICKNESS
①	175
②	140
③	110
④	80



PLAN



ELEVATION



**FRONT TOP
WOOD BLOCKOUT FOR
RUBRAIL ON STEEL POSTS**

U.S. DEPARTMENT OF TRANSPORTATION
FEDERAL HIGHWAY ADMINISTRATION
FEDERAL LANDS HIGHWAY

**METRIC STANDARD
G4 BEAM GUARDRAIL
CONNECTION TO STRUCTURE
VERTICAL FACE
STEEL POSTS**

STANDARD APPROVED FOR USE 3/1996
REVISED: 1/1998

STANDARD
M617-26

NO SCALE