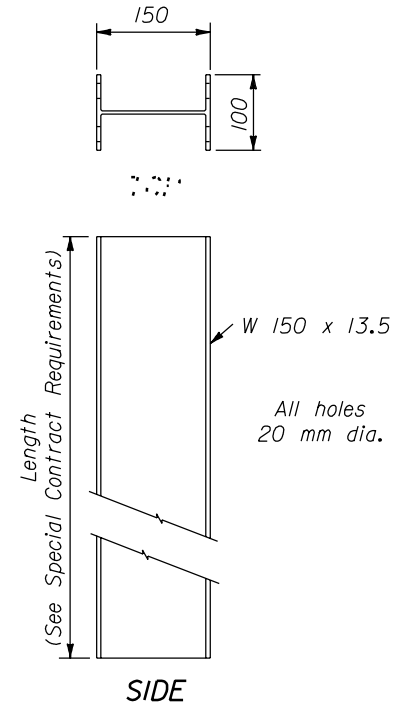


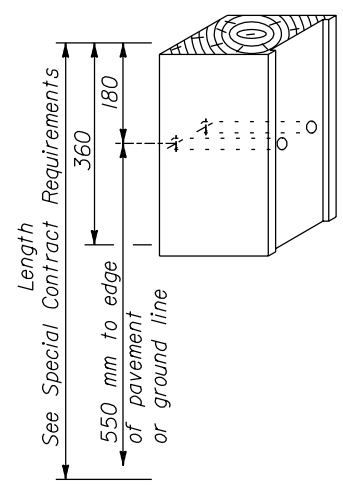
Post bolt slot at 1.905 m spacing, center to center.
Splice bolt slot - 8 required, each end rail element.

RAIL ELEMENT ELEVATION

SECTION A-A



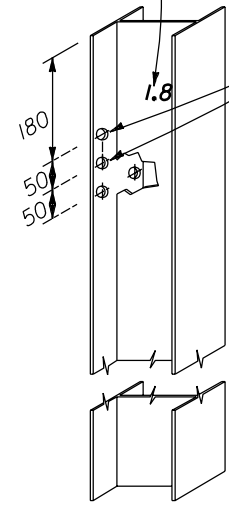
STRUCTURAL SHAPE POST



ALTERNATE HOLE ARRANGEMENT POST AND BLOCK DETAIL

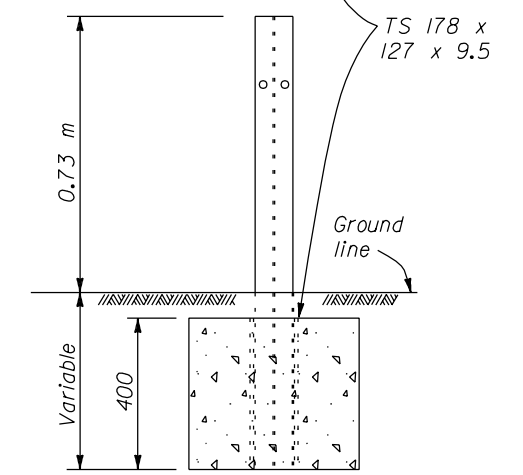
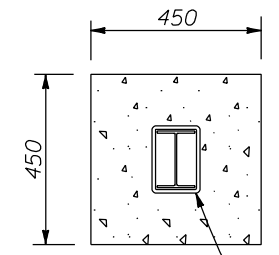
20 mm dia. (typ.). Upper 2 holes for raising guardrail to accommodate future overlays.

Post length stamp 35 mm high



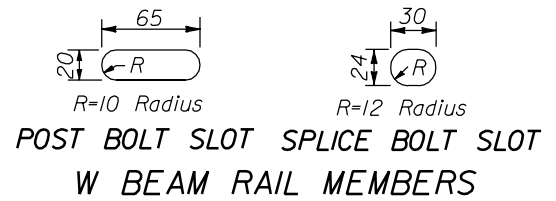
NOTE:

1. Dimensions not labeled are in millimeters.
2. Dimensional tolerances not shown or implied are intended to be those consistent with the proper functioning of the part, including its appearance, and accepted manufacturing practices.
3. Furnish hardware in the metric sizes shown. Equivalent imperial sizes may be used when metric sizes are not available.

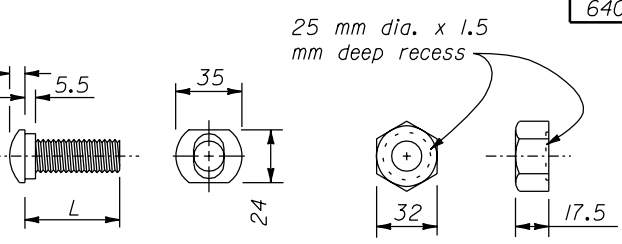


Use 500 mm diameter round anchor or 450 mm square anchor. Reduced size acceptable in solid rock.

CONCRETE ANCHOR FOR SHORT GUARDRAIL POST

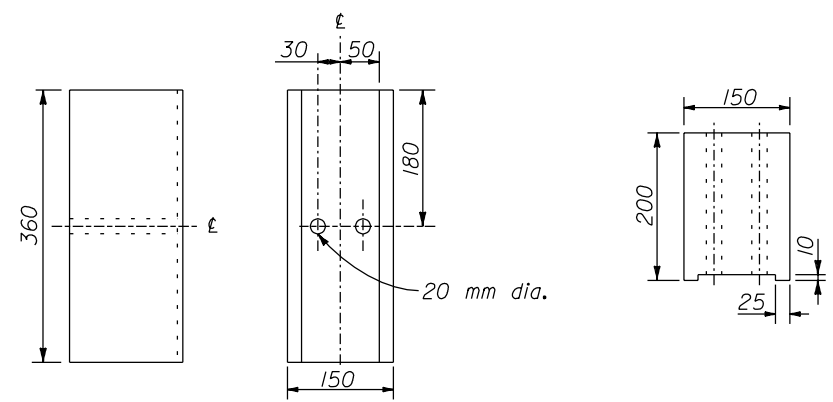


L	Threaded Length
35	Full length
50	30 minimum
255	45 minimum
460	100 minimum
640	100 minimum

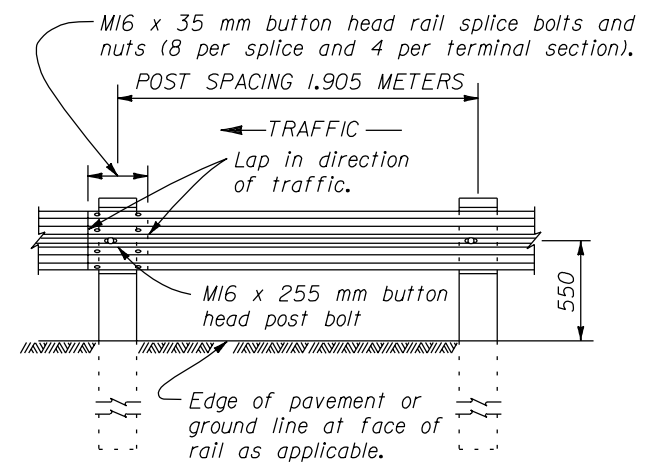


MI6 BUTTON HEAD BOLT MI6 RECESS NUT

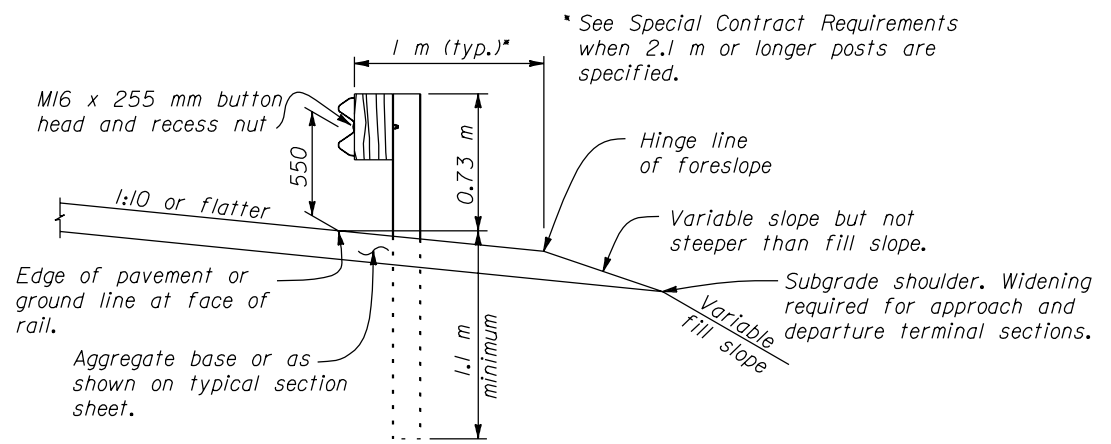
BUTTON HEAD BOLT AND RECESS NUT



WOOD BLOCK



POST SPACING STANDARD POST SECTION



TYPICAL GUARDRAIL CROSS SECTION

See Special Contract Requirements when 2.1 m or longer posts are specified.

NO SCALE

U.S. DEPARTMENT OF TRANSPORTATION
FEDERAL HIGHWAY ADMINISTRATION
FEDERAL LANDS HIGHWAY

METRIC STANDARD

G4 W BEAM GUARDRAIL
STEEL POSTS

STANDARD APPROVED FOR USE 3/1996
REVISED: 12/1998

STANDARD
M617-18