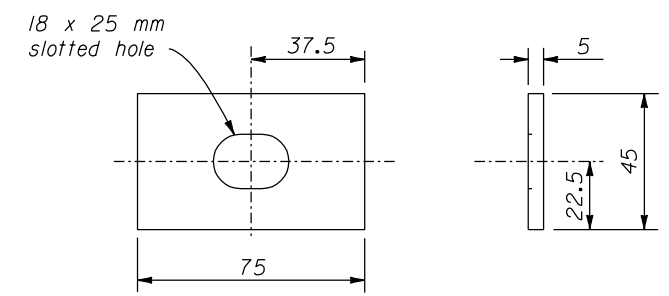


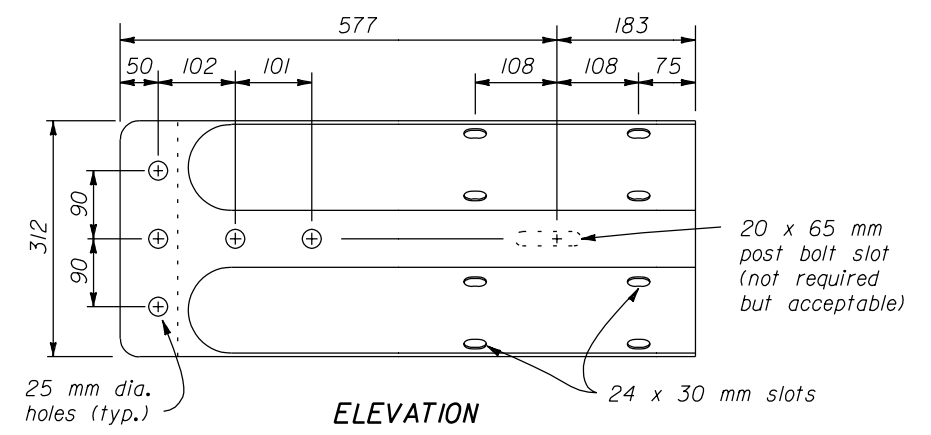
ANCHOR PLATE DETAILS FOR MELT ANCHORAGE ASSEMBLY

- NOTE:**
1. Dimensions not labeled are in millimeters.
 2. Dimensional tolerances not shown or implied are intended to be those consistent with the proper functioning of the part, including its appearance, and accepted manufacturing practices.
 3. Furnish hardware in the metric sizes shown. Equivalent imperial sizes may be used when metric sizes are not available.

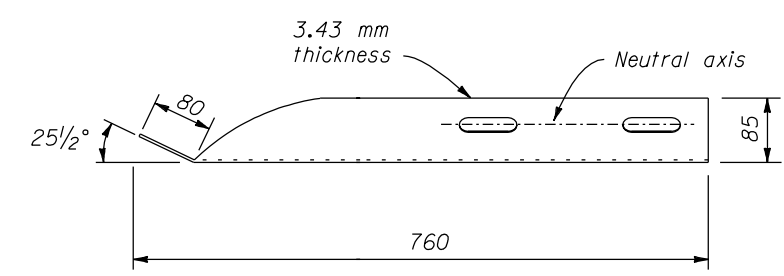


(Use to attach the end section to the end post of anchorage assembly)

RECTANGULAR PLATE WASHER

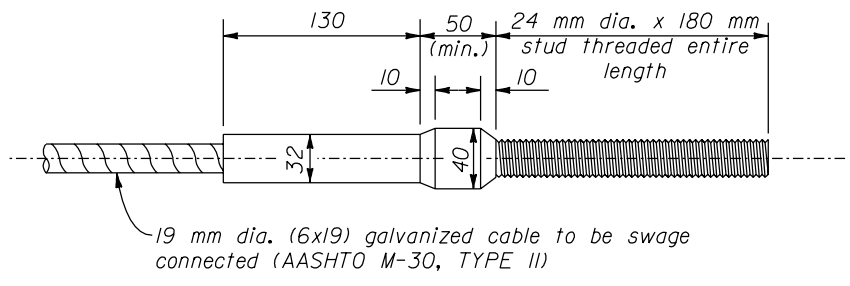


ELEVATION

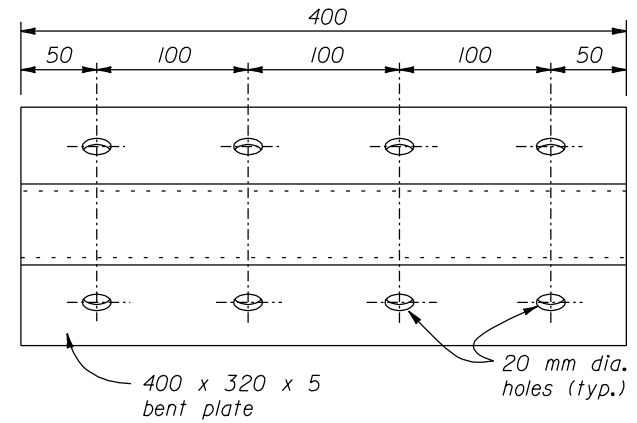


PLAN

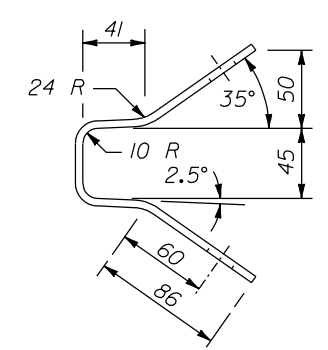
TERMINAL CONNECTOR



CABLE ASSEMBLY
(Standard swaged fitting and stud)



ANCHOR PLATE



U.S. DEPARTMENT OF TRANSPORTATION FEDERAL HIGHWAY ADMINISTRATION FEDERAL LANDS HIGHWAY	
METRIC STANDARD	
G4 W BEAM GUARDRAIL MELT ANCHORAGE ASSEMBLY DETAILS	
STANDARD APPROVED FOR USE 3/1996	STANDARD
REVISED: 12/1998	M617-13

NO SCALE

f:\standrow\metric\m61713.dgn 22 NOV 2000