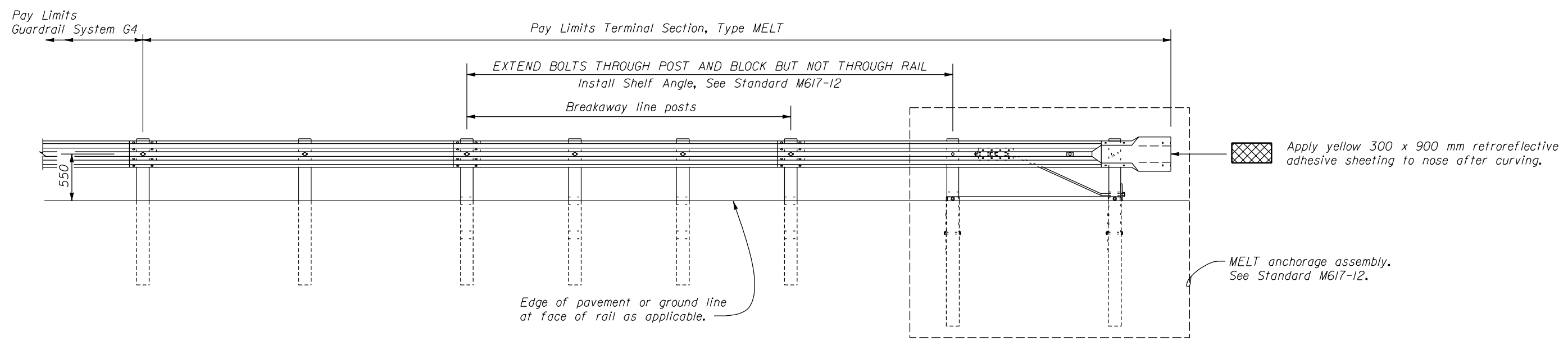
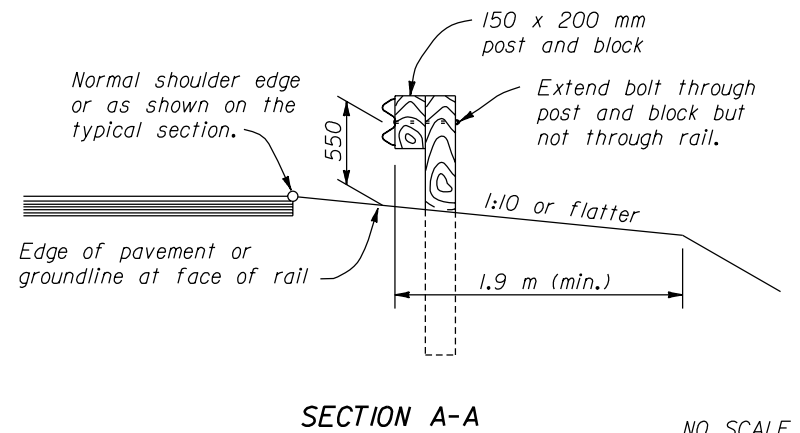
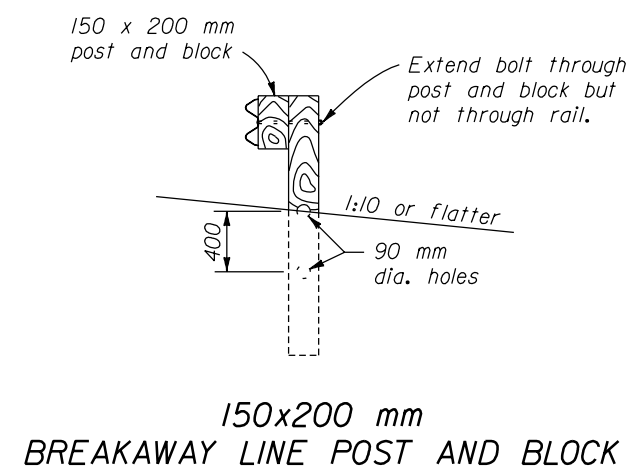


PLAN



ELEVATION

**APPROACH & DEPARTURE FLARE WITH MODIFIED ECCENTRIC LOADER TERMINAL**



NO SCALE

U.S. DEPARTMENT OF TRANSPORTATION  
FEDERAL HIGHWAY ADMINISTRATION  
FEDERAL LANDS HIGHWAY

**METRIC STANDARD**  
**G4 W BEAM GUARDRAIL**  
**MODIFIED ECCENTRIC**  
**LOADER TERMINAL**  
**TERMINAL SECTION, TYPE MELT**

STANDARD APPROVED FOR USE 3/1996

REVISOR: 12/1998

STANDARD  
**M617-11**

22 NOV 2000 f:\standrow\metric\mst617\l.dgn