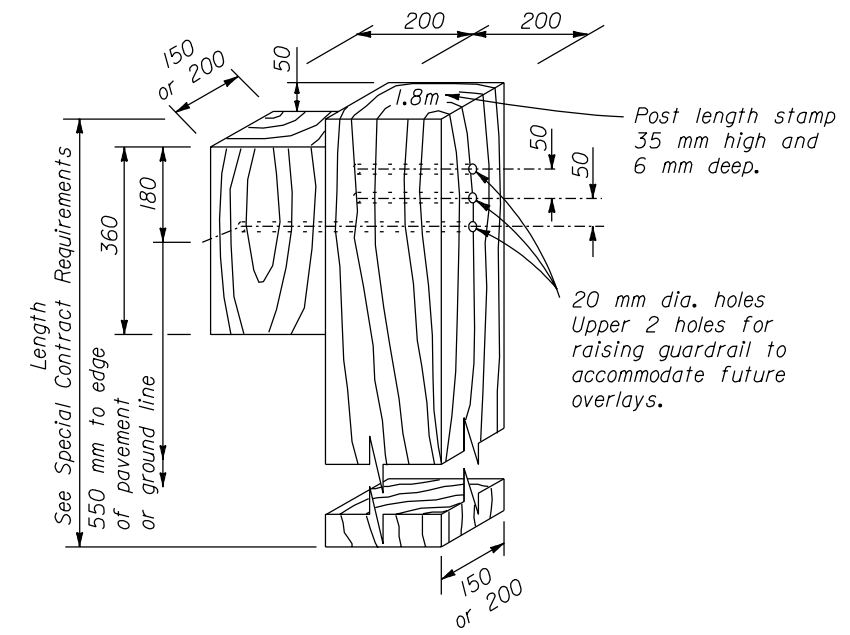


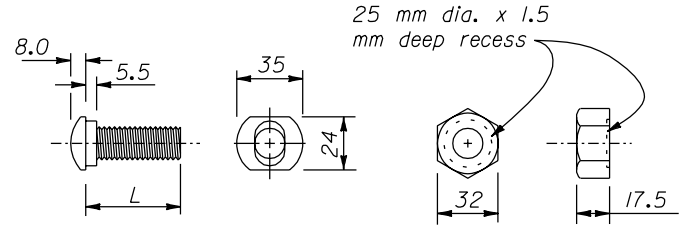
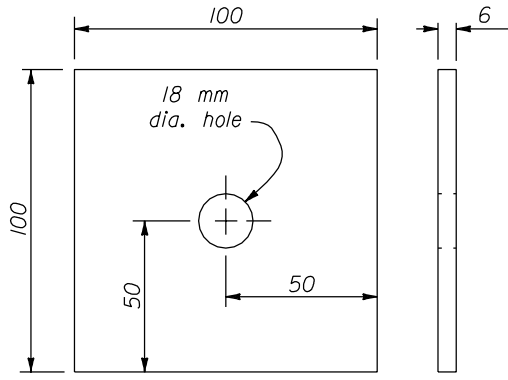
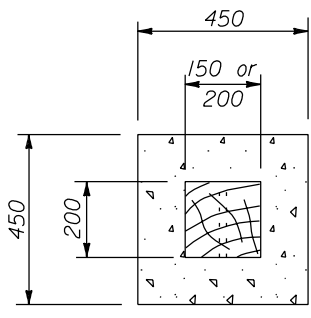
- NOTE:**
1. Dimensions not labeled are in millimeters.
 2. Dimensional tolerances not shown or implied are intended to be those consistent with the proper functioning of the part, including its appearance, and accepted manufacturing practices.
 3. Furnish hardware in the metric sizes shown. Equivalent imperial sizes may be used when metric sizes are not available.



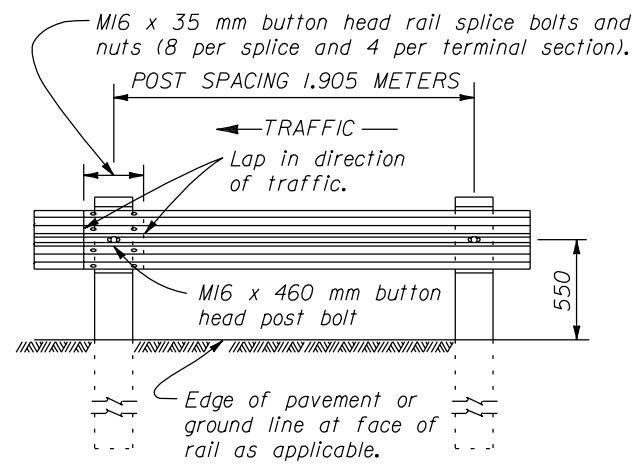
RAIL ELEMENT ELEVATION



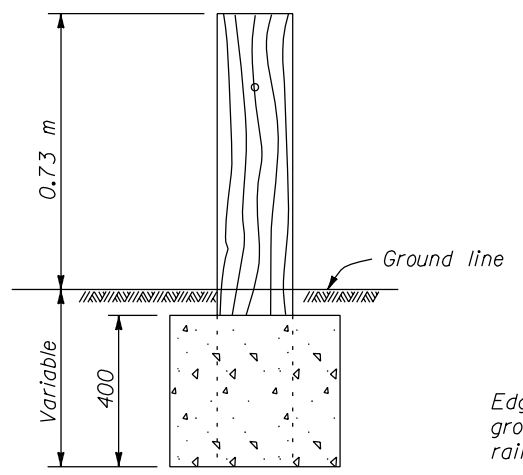
L	Threaded Length
35	Full length
50	30 minimum
255	45 minimum
460	100 minimum
640	100 minimum



**M16 BUTTON HEAD BOLT M16 RECESS NUT
BUTTON HEAD BOLT AND RECESS NUT**



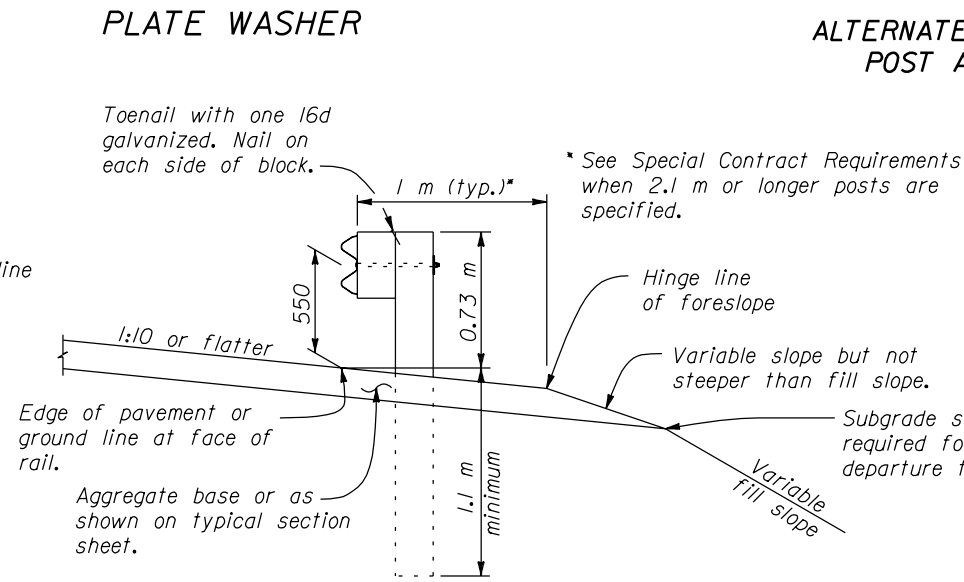
**POST SPACING
STANDARD POST SECTION**



Use 500 mm diameter round anchor or 450 mm square anchor. Reduced size acceptable in solid rock.

Wrap post with 13 mm styrofoam where it contacts the concrete anchor.

**CONCRETE ANCHOR FOR
SHORT GUARDRAIL POST**



TYPICAL GUARDRAIL CROSS SECTION

NO SCALE

U.S. DEPARTMENT OF TRANSPORTATION
FEDERAL HIGHWAY ADMINISTRATION
FEDERAL LANDS HIGHWAY

METRIC STANDARD

**G4 W BEAM GUARDRAIL
WOOD POSTS**

STANDARD APPROVED FOR USE 3/1996
REVISED: 8/1997

STANDARD
M617-10

22 NOV 2000 f:\standrow\metric\m61710.dgn