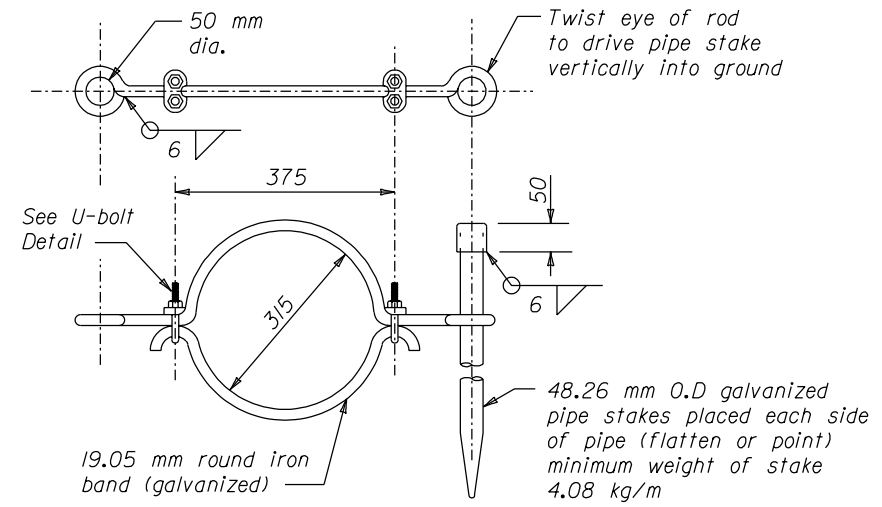
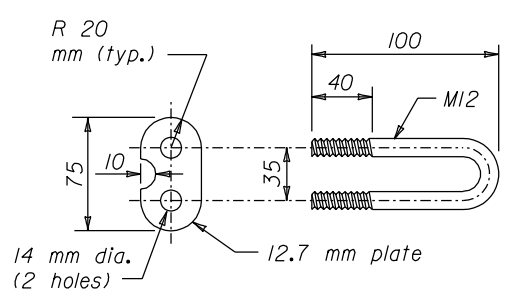


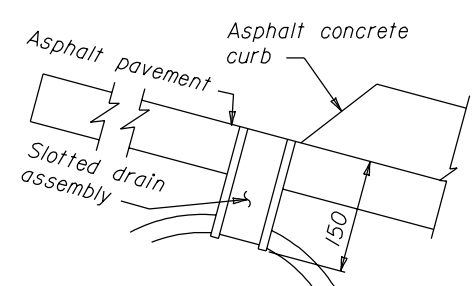
ALTERNATE 1



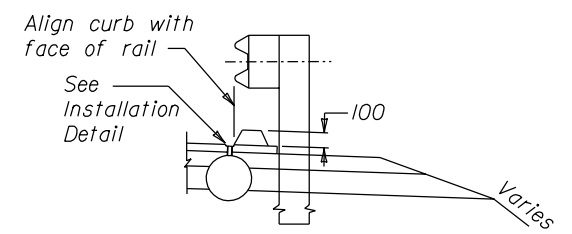
ALTERNATE 2



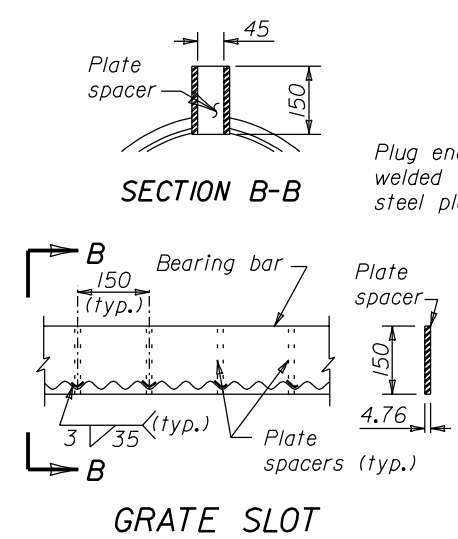
U-BOLT DETAIL



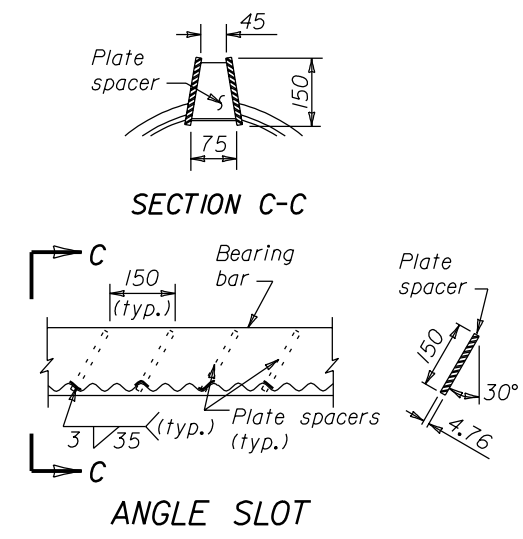
INSTALLATION DETAIL



TYPICAL PLACEMENT AT GUARDRAIL

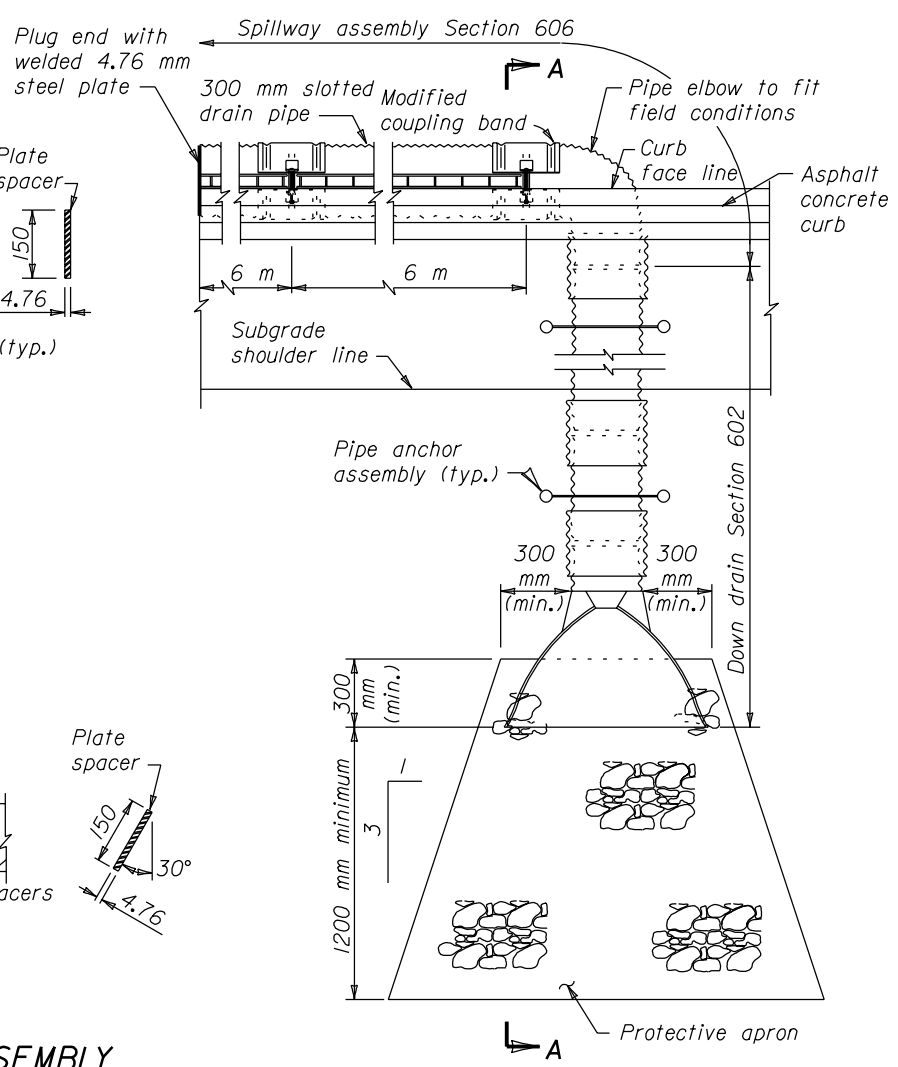


GRATE SLOT



ANGLE SLOT

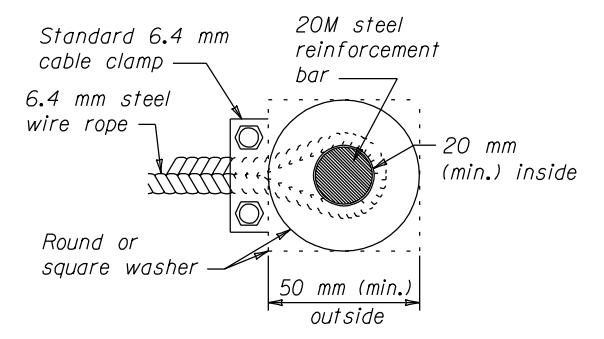
SLOTTED DRAIN ASSEMBLY



SECTION A-A

NOTE:

- Dimensions not labeled are millimeters.
- Fabricate slotted drain pipe, down drain pipe culvert, elbows, end section, and coupling bands from sheets 1.62 mm thickness.
- Grate slot assembly and plate end plug conform to AASHTO M 183.
- Galvanize grate slot assembly, plate end plug, and all hardware according to AASHTO M III.
- Approved alternate pipe anchor assemblies may be used.
- Place Class 2 riprap conforming to Section 251 for protective apron.
- Place pipe anchor assemblies approximately 6 meter intervals along down drain pipe culvert.
- For installations at sag vertical curves, use a tee connection instead of an elbow and a minimum of two 6 meter slotted drain pipe sections.
- Make all band connections watertight by placing gaskets or O-rings under the bands before tightening.
- Use either the grate slot or the angle slot slotted drain assembly.
- Provide hardware in the metric sizes shown. Equivalent imperial sizes may be used when metric sizes are not available.



DETAIL A

22 NOV 2000 F:\S\amDr\aw\Metric.ms+60601.dgn

U.S. DEPARTMENT OF TRANSPORTATION
FEDERAL HIGHWAY ADMINISTRATION
FEDERAL LANDS HIGHWAY

METRIC STANDARD

SLOTTED DRAIN SPILLWAY ASSEMBLY

STANDARD APPROVED FOR USE 3/1996

STANDARD M606-1

NO SCALE