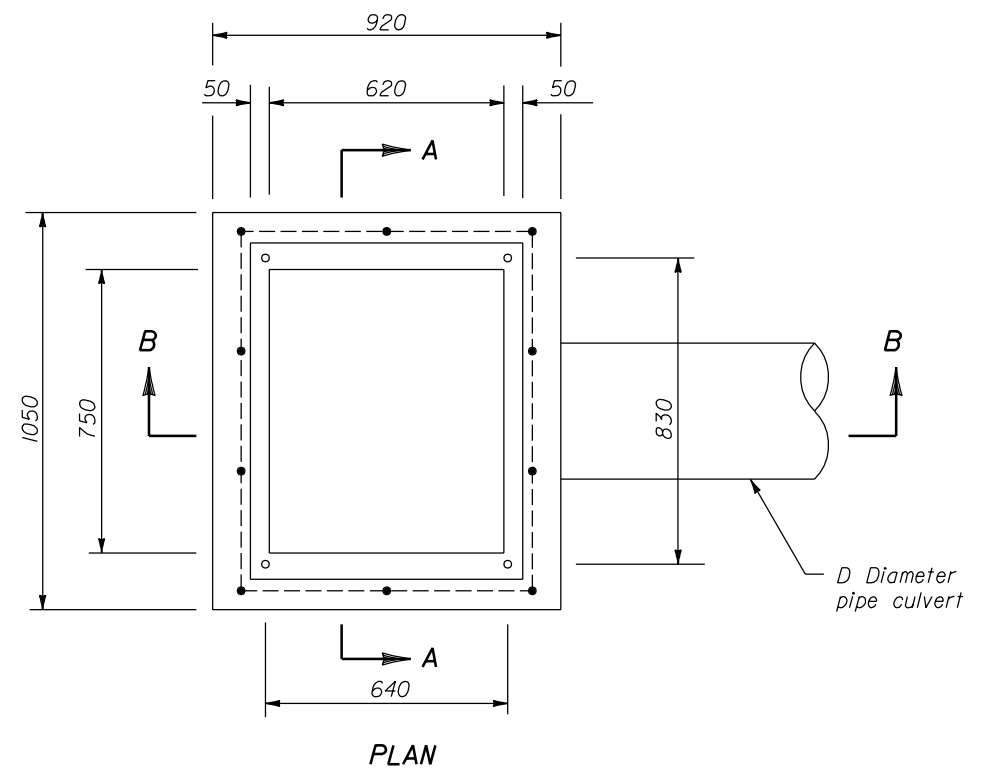


M20 x 120 x 200 mm anchor bolt (4 required with nuts and washers)

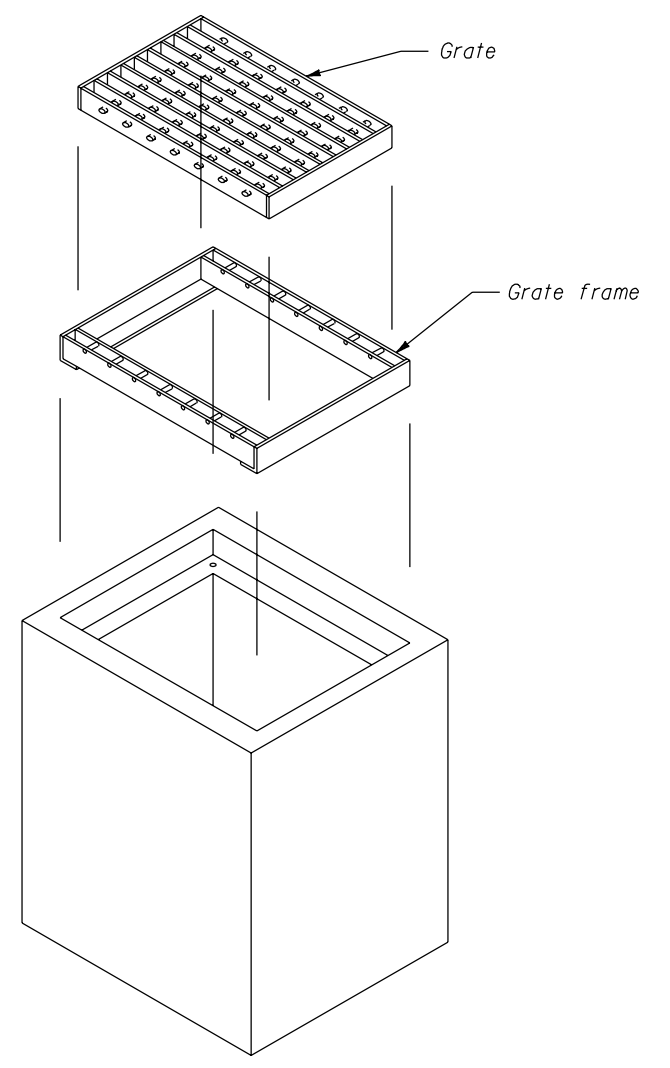
DETAIL A



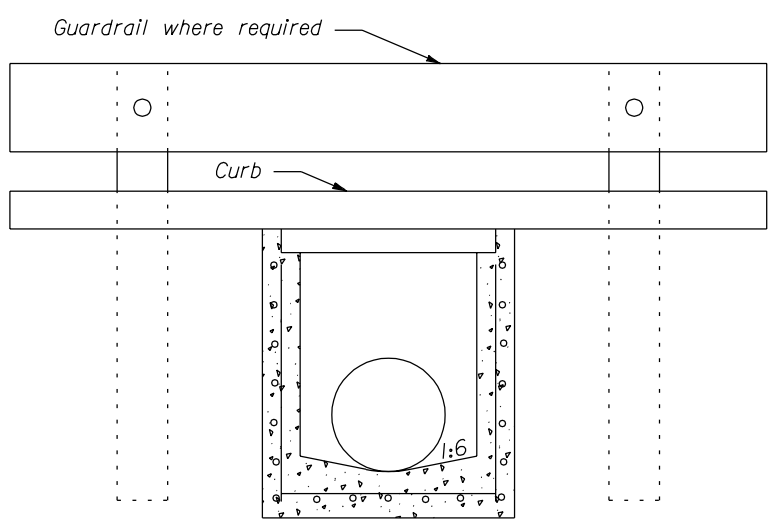
PLAN

NOTE:

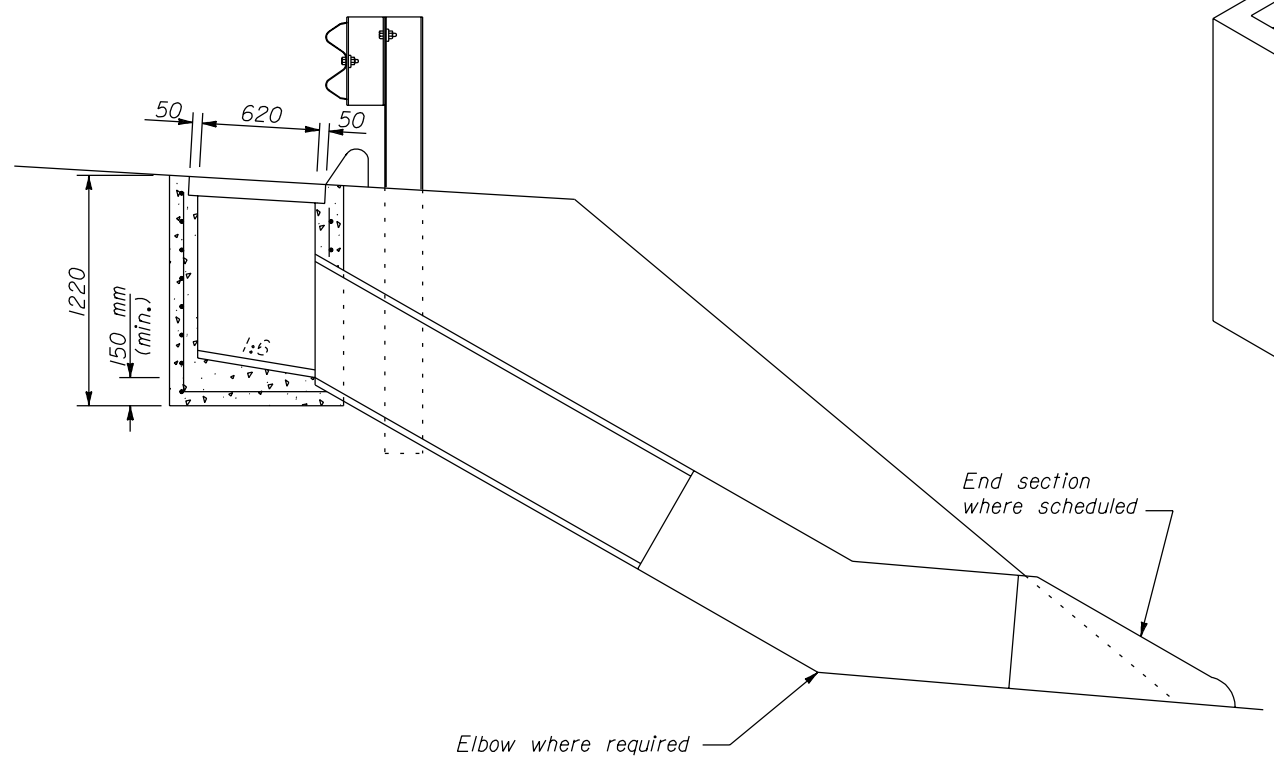
1. Dimensions not labeled are in millimeters.
2. All reinforcing bars are #16 placed a minimum 40 mm clear from face of concrete. In floors, place bars on 150 mm centers each way. In walls, place horizontal bars in 150 mm centers and vertical bars on 300 mm centers.
3. See Standard M604-6 for frame and grate details.



ISOMETRIC VIEW



SECTION A-A



SECTION B-B

NO SCALE

U.S. DEPARTMENT OF TRANSPORTATION FEDERAL HIGHWAY ADMINISTRATION FEDERAL LANDS HIGHWAY	
METRIC STANDARD	
INLET, TYPE 5A	
STANDARD APPROVED FOR USE 3/1996	STANDARD
REVISED: 5/1997	M604-5