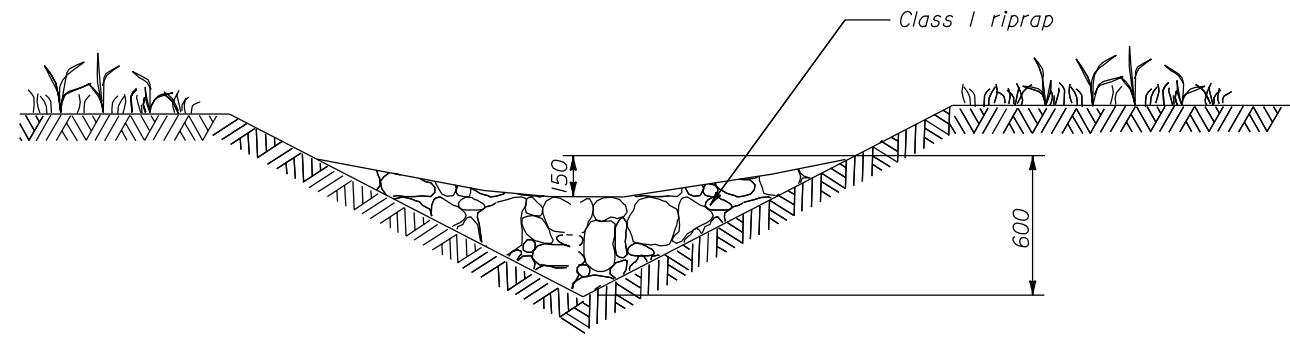
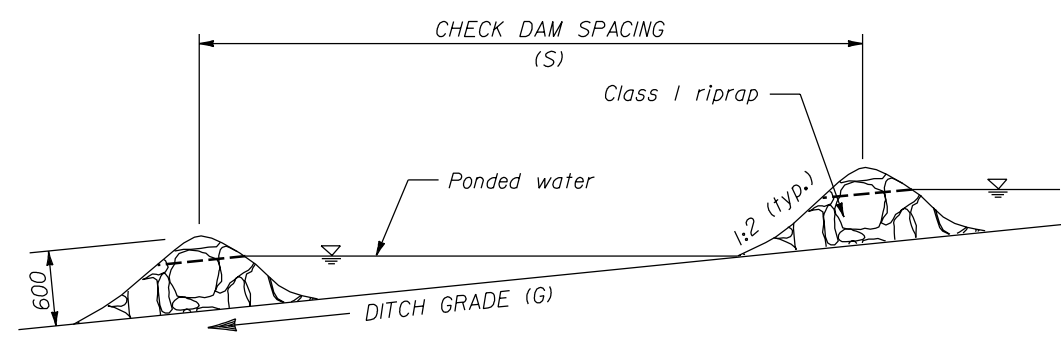


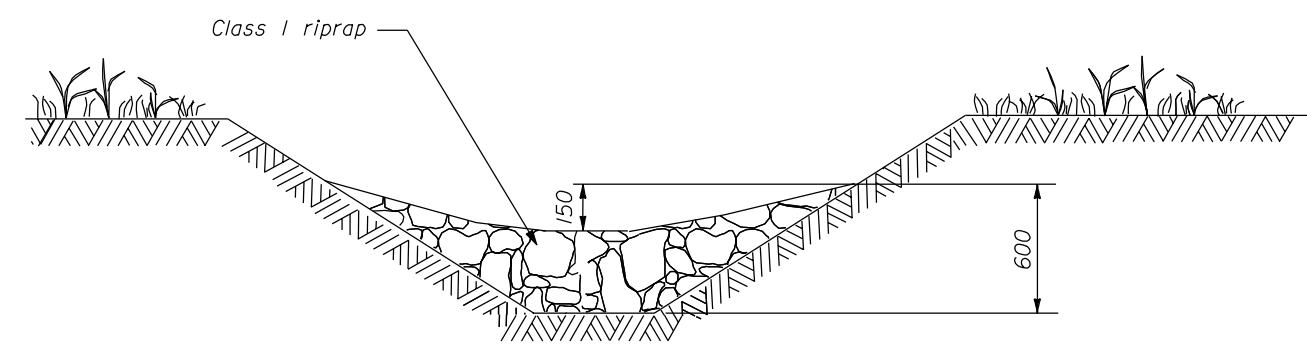
NOTE:
 1. Dimensions not labeled are in millimeters.



CROSS SECTION
 V DITCH



PROFILE VIEW
 DITCH



CROSS SECTION
 TRAPEZOIDAL DITCH

DITCH GRADE (G) *	CHECK DAM SPACING(S)
2%	23 m
3%	15 m
4%	12 m
5%	9 m
6%	7.5 m

* Do not use Check Dams below 2% or above 6% ditch grades

NO SCALE

U.S. DEPARTMENT OF TRANSPORTATION FEDERAL HIGHWAY ADMINISTRATION FEDERAL LANDS HIGHWAY	
METRIC STANDARD	
CHECK DAM	
STANDARD APPROVED FOR USE 3/1996	STANDARD
REVISED:	M157-6

16 NOV 2000
 f:\standrow\metric\msh5706.dgn