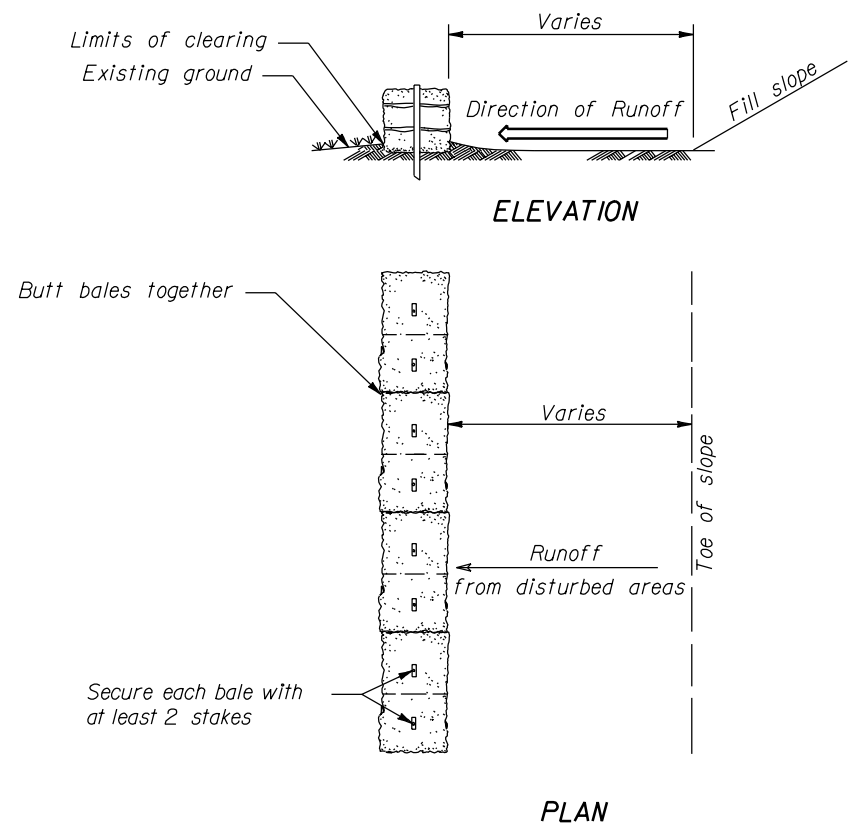
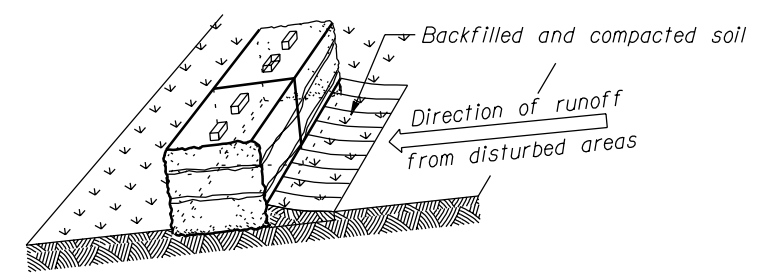
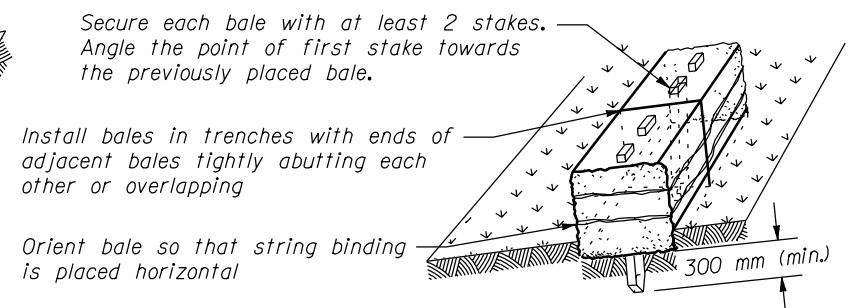
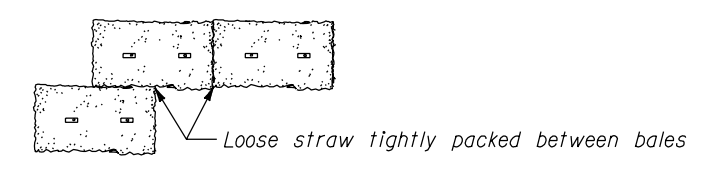
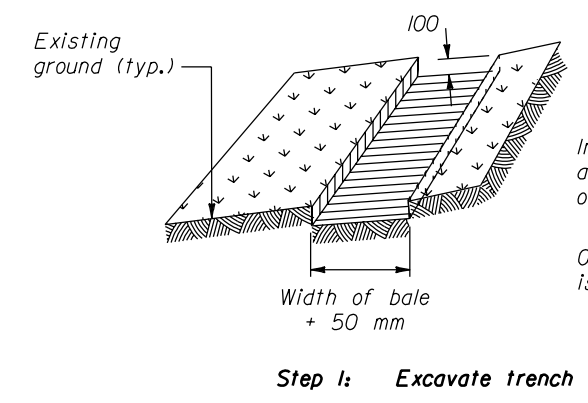


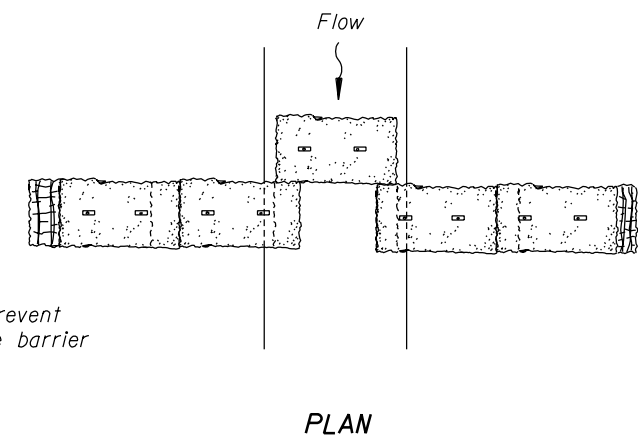
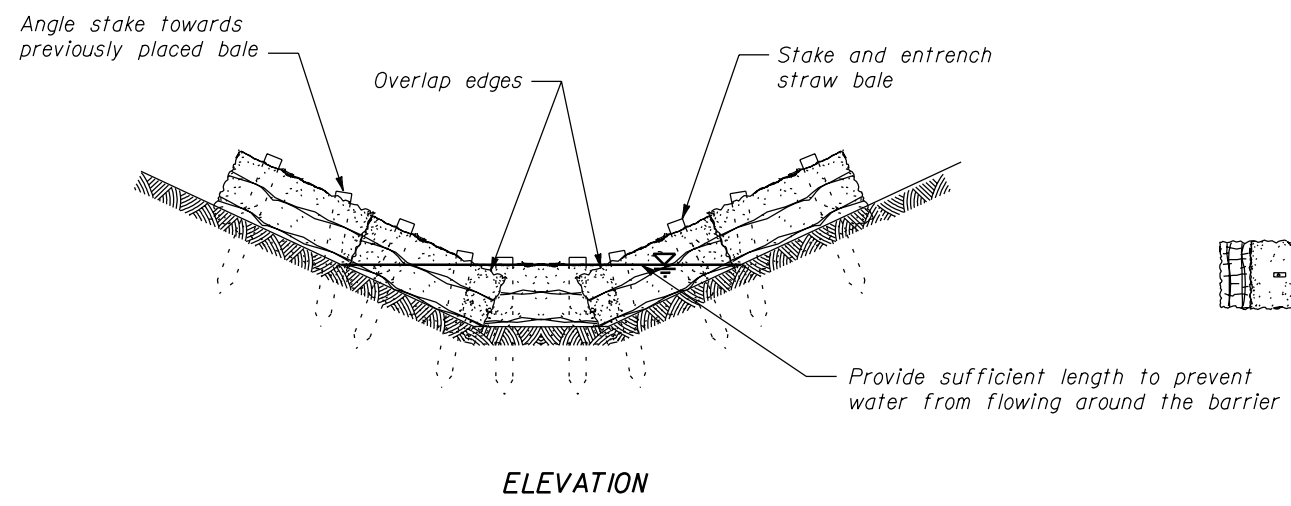
- NOTE:**
1. Dimensions not labeled are in millimeters.
 2. Use straw bales in drainage ditches only for low flow conditions and when specified on the Erosion Control Plans.



INSTALLATION OF A STRAW BALE BARRIER AT TOE OF FILL



PROPERLY STAKED AND ENTRENCHED STRAW BALES



INSTALLATION OF A STRAW BALE BARRIER IN DITCH
(See note 2)

U.S. DEPARTMENT OF TRANSPORTATION FEDERAL HIGHWAY ADMINISTRATION FEDERAL LANDS HIGHWAY	
METRIC STANDARD	
STRAW BALES	
STANDARD APPROVED FOR USE 3/1996	STANDARD
REVISED:	M157-3

NO SCALE

16 NOV 2000 f:\standrow\metric\ms15703.dgn