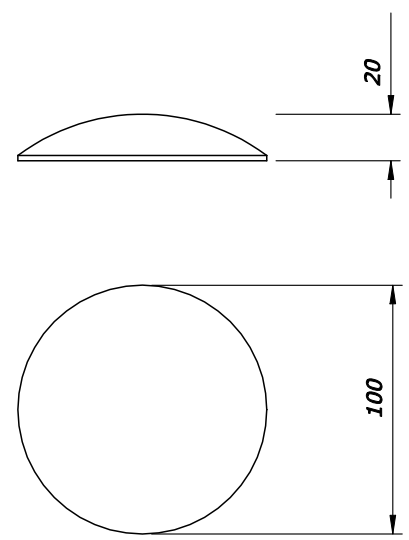
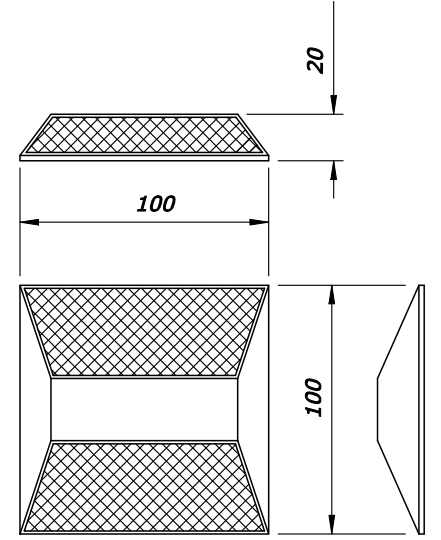


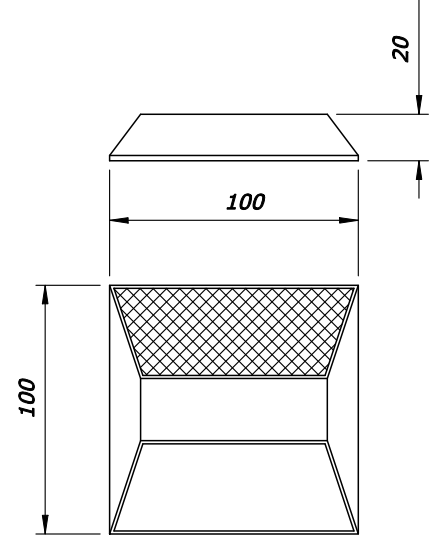
REG	STATE	PROJECT	SHEET NO.
SE	LA	RRP-LOP 10(2)	



TYPE A



TYPE B

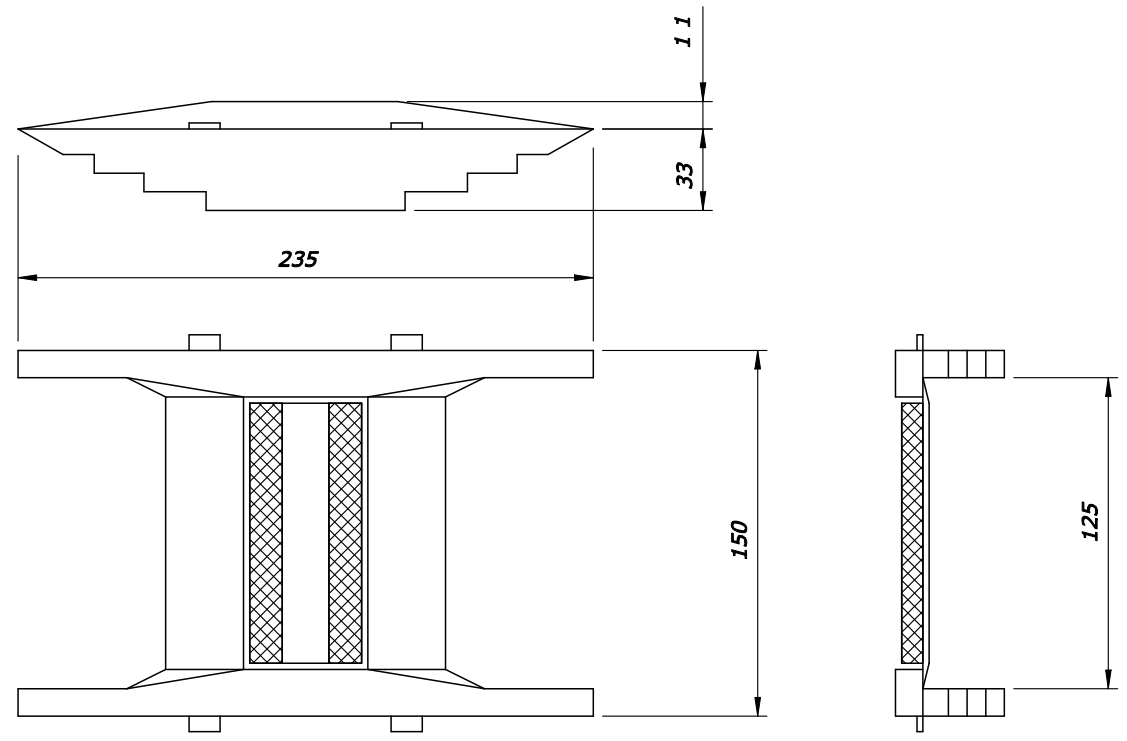


TYPE C

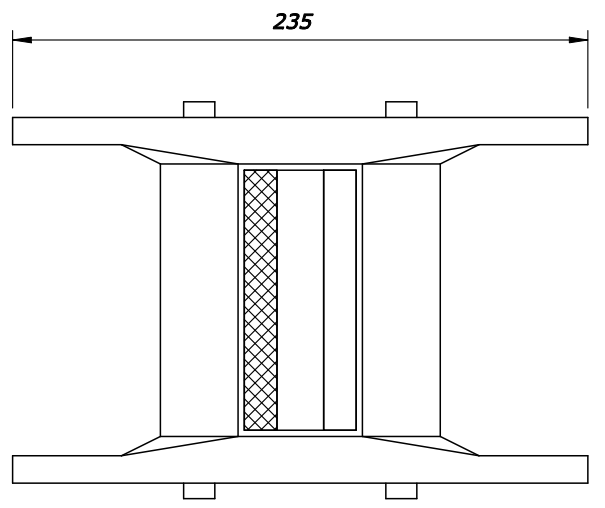
NON-SNOW PLOWABLE PAVEMENT MARKERS

NOTES:

1. Unless otherwise shown, dimensions are in millimeters.
2. Colors of the reflective markers to be either clear (white), yellow or red as specified.
3. The shell of the marker to be of one color or a combination of colors the same as the reflector.



TYPE D



TYPE E

SNOW PLOWABLE PAVEMENT MARKERS

Reflective material 

NO SCALE

9/20/2007 8:09:43 AM M:\Standards\EF.LHD_Standards & Details\8\sf63402_detail.dgn

U.S. DEPARTMENT OF TRANSPORTATION FEDERAL HIGHWAY ADMINISTRATION EASTERN FEDERAL LANDS HIGHWAY DIVISION	
METRIC DETAIL	
RAISED PAVEMENT MARKERS	
DETAIL APPROVED FOR USE	DETAIL
REVISED: 9/95 07/98 03/2007	EM634-02