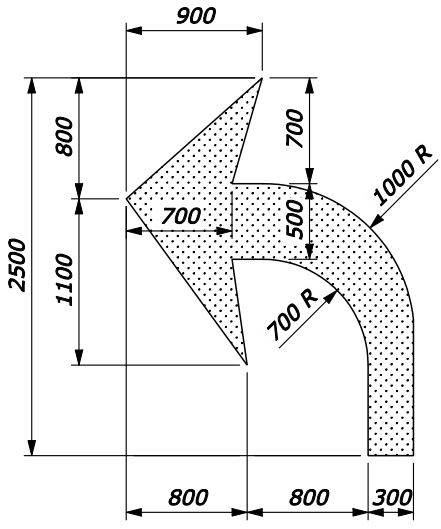
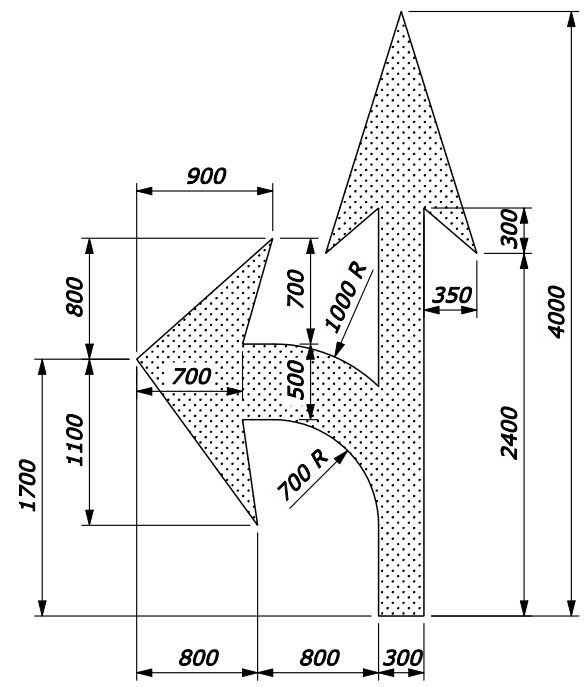


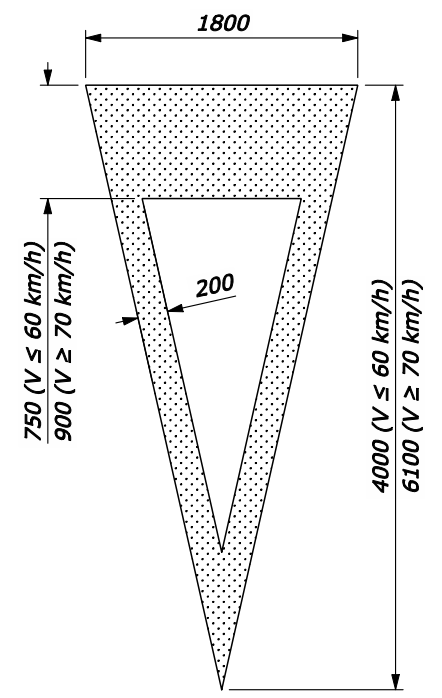
**THROUGH LANE-USE ARROW**



**TURN LANE-USE ARROW**



**TURN AND THROUGH LANE-USE ARROW**

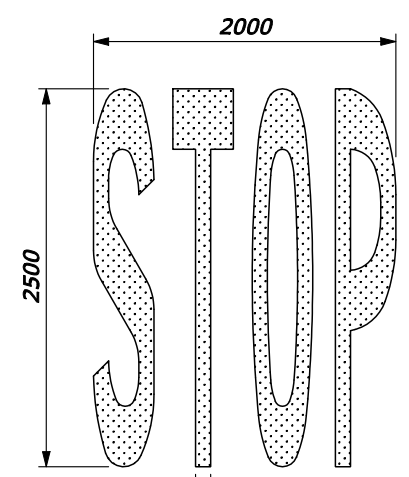


**YIELD AHEAD TRIANGLE SYMBOL**

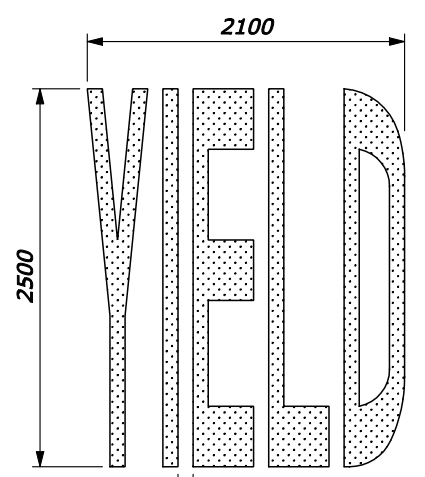
**NOTE:**

1. Place pavement word and symbol markings in accordance with the "Manual on Uniform Traffic Control Devices" (MUTCD), current edition.
2. All letters, numerals and symbols shall conform with the "Standard Highway Signs", current edition.
3. The Accessibility Parking Space marking only includes the accessibility symbol unless a border is indicated in the Striping Plans.
4. Dimensions without units are millimeters.

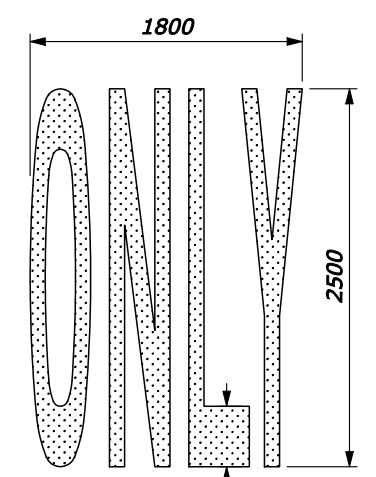
PAVEMENT MARKING AREAS	
TYPE	m <sup>2</sup>
Through Lane-Use Arrow	1.1
Turn Lane-Use Arrow	1.5
Turn and Through Lane-Use Arrow	2.5
Yield Ahead Arrow (V < 70 km/h)	2.4
Yield Ahead Arrow (V ≥ 70 km/h)	3.3
Accessibility Marking (symbol only)	0.1
Accessibility Marking w/ border (White)	0.5
Accessibility Marking w/ border (Blue)	0.8
AHEAD Word Marking	2.8
ONLY Word Marking	2.0
SCHOOL Word Marking	3.1
STOP Word Marking	2.0
YIELD Word Marking	2.2



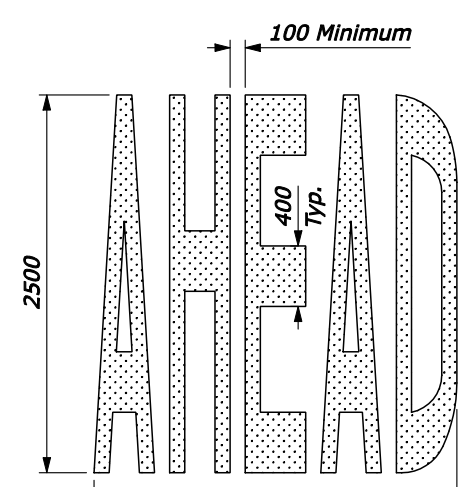
**"STOP" WORD MARKING**



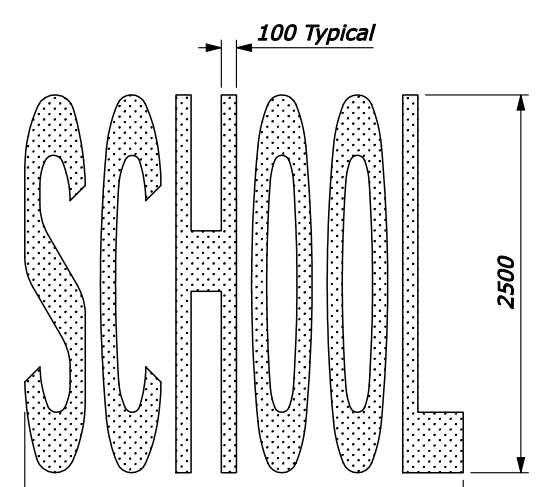
**"YIELD" WORD MARKING**



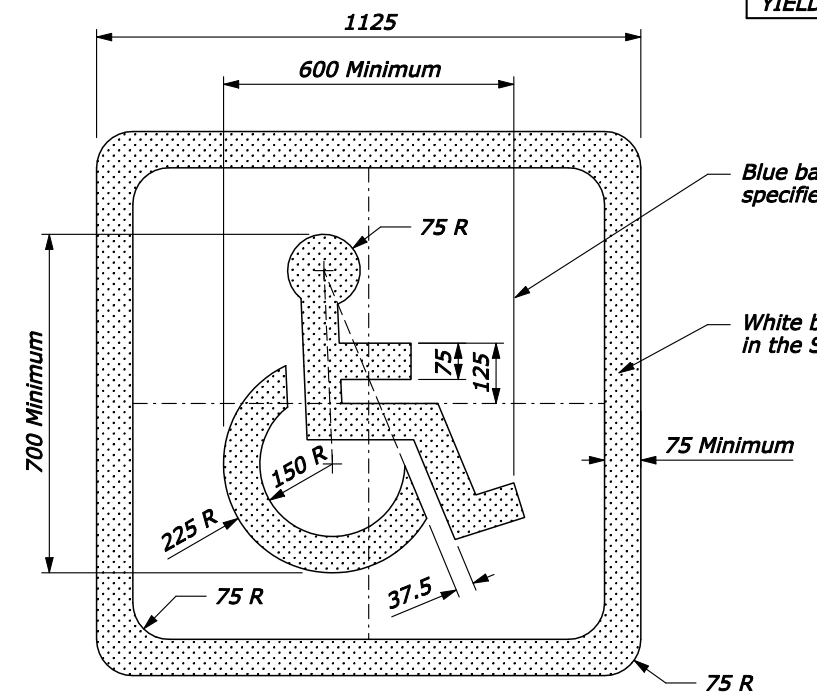
**"ONLY" WORD MARKING**



**"AHEAD" WORD MARKING**



**"SCHOOL" WORD MARKING**



**ACCESSIBILITY PARKING SPACE MARKING**

Blue background when border specified in the Striping Plans

White border when specified in the Striping Plans

NO SCALE

U.S. DEPARTMENT OF TRANSPORTATION  
FEDERAL HIGHWAY ADMINISTRATION  
EASTERN FEDERAL LANDS HIGHWAY DIVISION

METRIC DETAIL

**PAVEMENT MARKINGS  
SYMBOLS AND WORDS**

DETAIL APPROVED FOR USE 12/2000  
REVISED: 3/2003 11/2006

DETAIL  
EM634-01