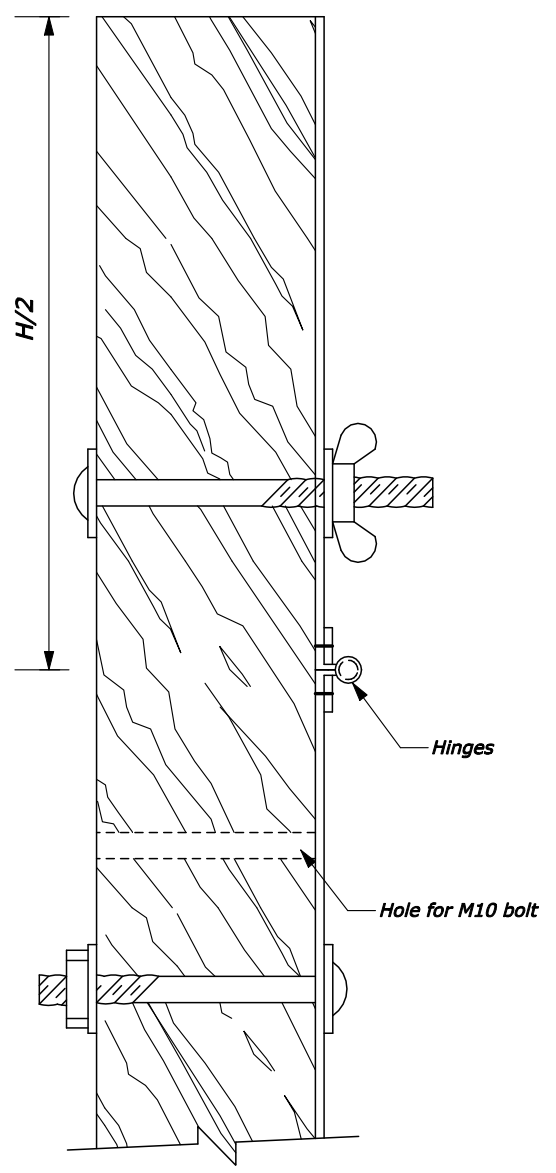


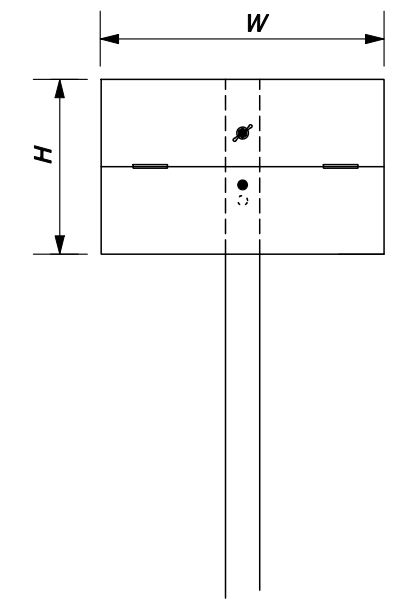
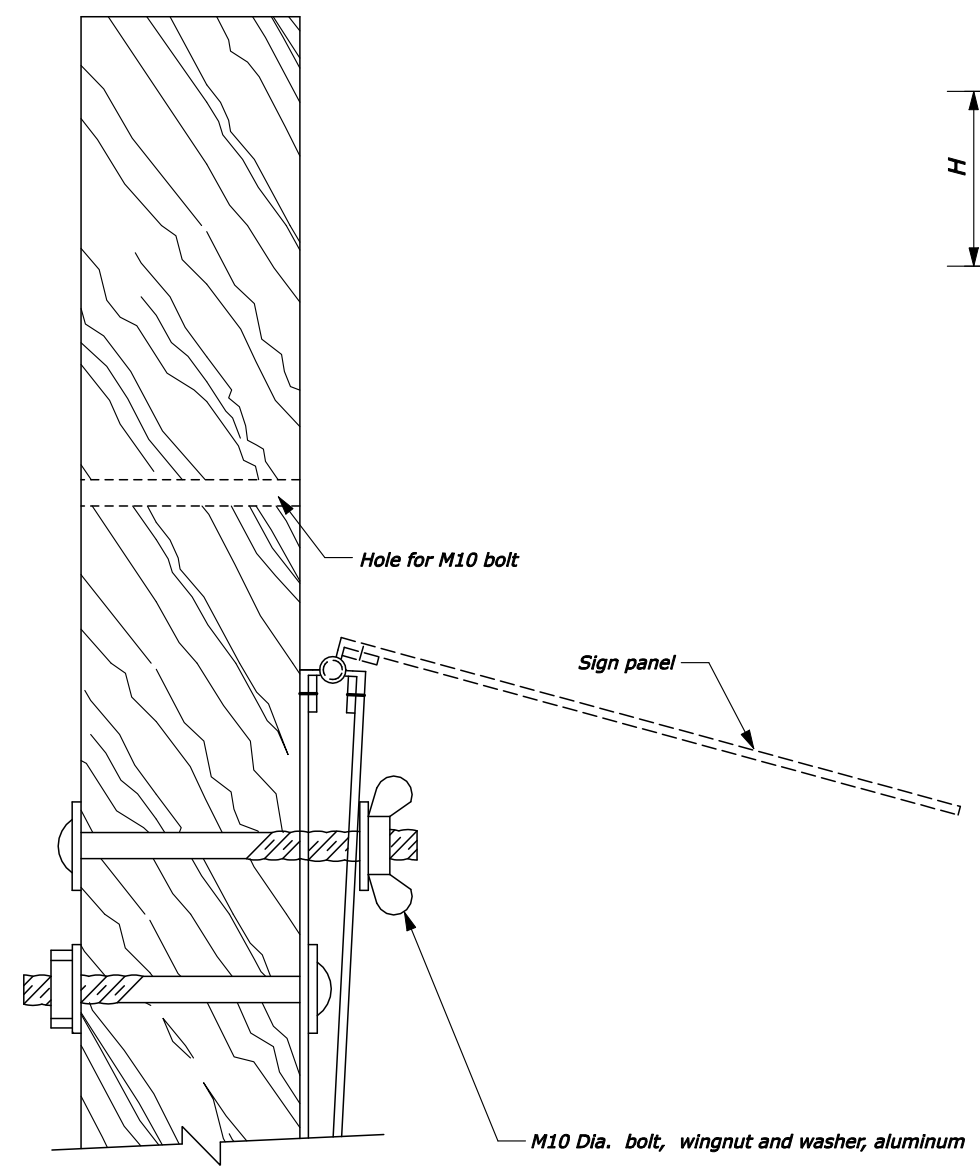
REG	STATE	PROJECT	SHEET NO.
SE	LA	RRP-LOP 10(2)	

Notes:

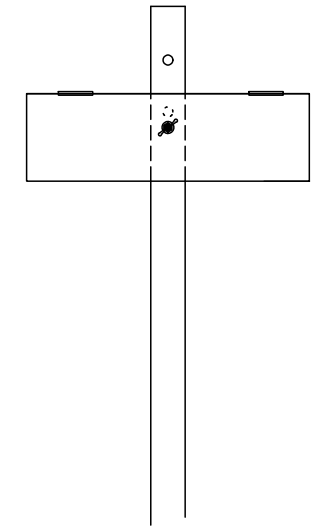
1. Locations and height to be in accordance with the 'Manual on Uniform Traffic Control Devices for Streets and Highways' (MUTCD), latest edition.
2. Use wood battens bolted to post at vertical spacings not to exceed 750 mm.
3. Use double posts if W is over 900 mm.
4. For sign punching details, see the blank standards in the "Standard Highway Signs" as specified in the MUTCD, latest edition.



FASTENER DETAIL



UNFOLD SIGN



FOLDED SIGN

NO SCALE

9/20/2007 8:05:37 AM M:\Standards\EF\LD_Standards & Details\8\sf63303_detail.dgn

U.S. DEPARTMENT OF TRANSPORTATION FEDERAL HIGHWAY ADMINISTRATION EASTERN FEDERAL LANDS HIGHWAY DIVISION	
METRIC STANDARD	
FOLDING SIGN STRUCTURE	
DETAIL APPROVED FOR USE	DETAIL
REVISED: 03/07	EM633-03