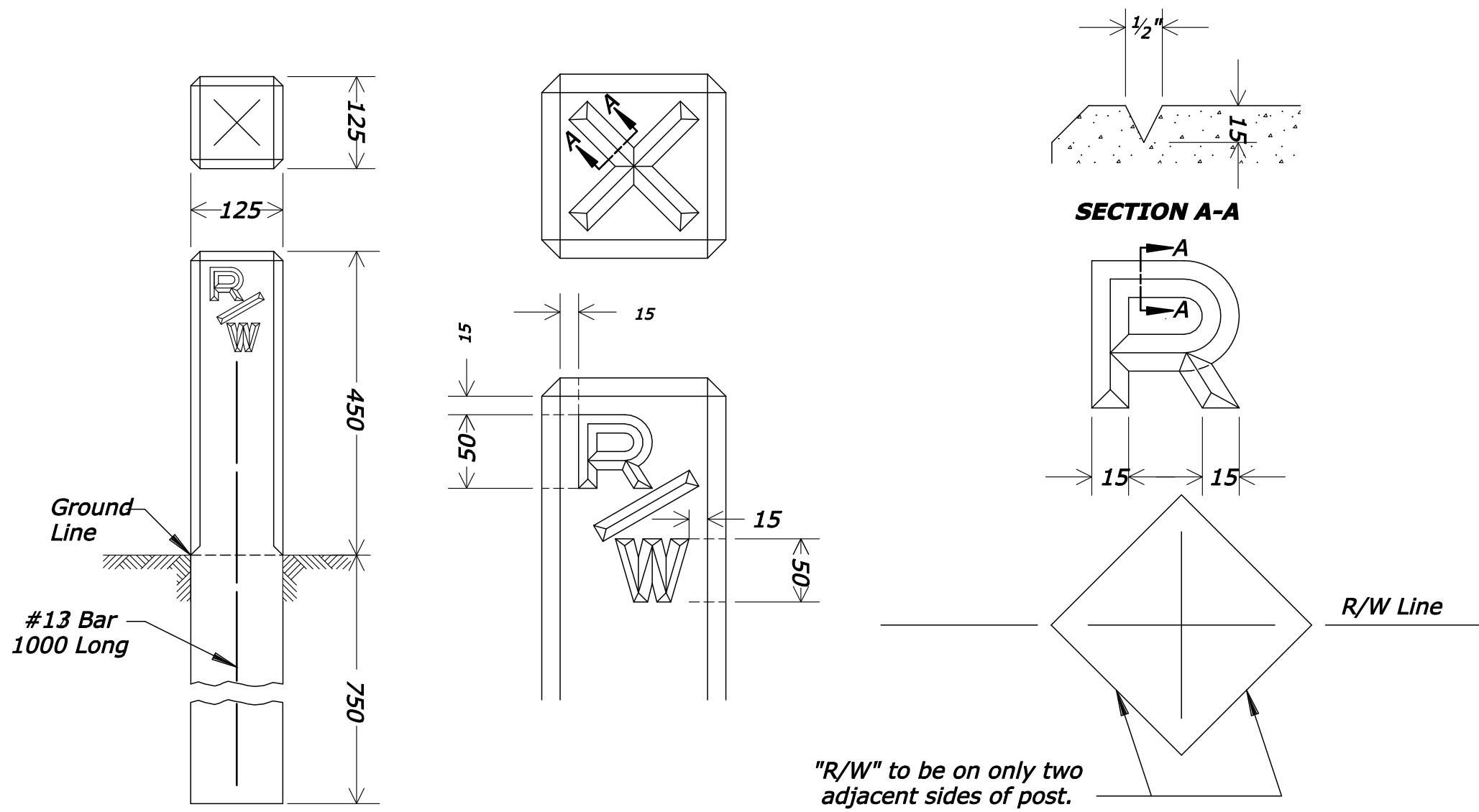


REG	STATE	PROJECT	SHEET NO.
SE	LA	RRP-LOP 10(2)	



"R/W" to be on only two adjacent sides of post.

NOTE:

Unless otherwise shown, dimensions are in millimeters.

In entrances and yards where the monuments would be unsightly, they may be set with the top flush with the ground.

3/26/2008 2:50:00 PM Z:\Standards\Temp\st62101_detail.dgn

U.S. DEPARTMENT OF TRANSPORTATION FEDERAL HIGHWAY ADMINISTRATION EASTERN FEDERAL LANDS HIGHWAY DIVISION	
METRIC DETAIL	
RIGHT-OF-WAY MARKER	
DETAIL APPROVED FOR USE	DETAIL
REVISED: 01/08	EM621-01