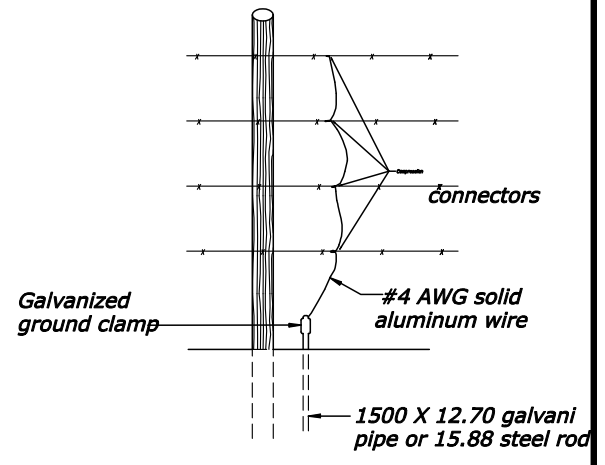
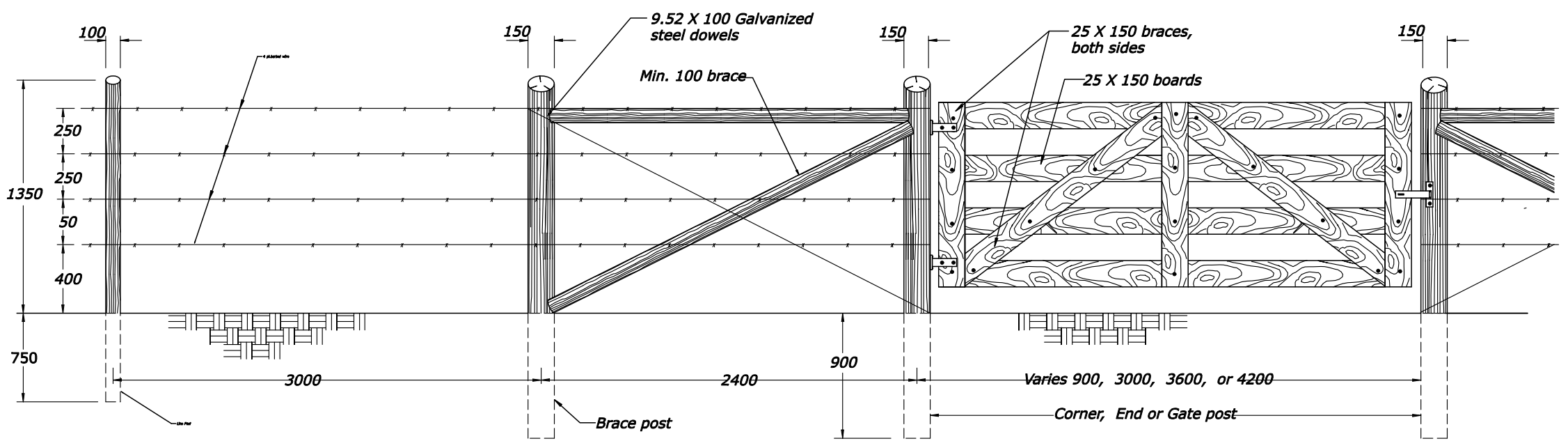
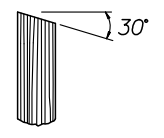


REG	STATE	PROJECT	SHEET NO.
SE	LA	RRP-LOP 10(2)	

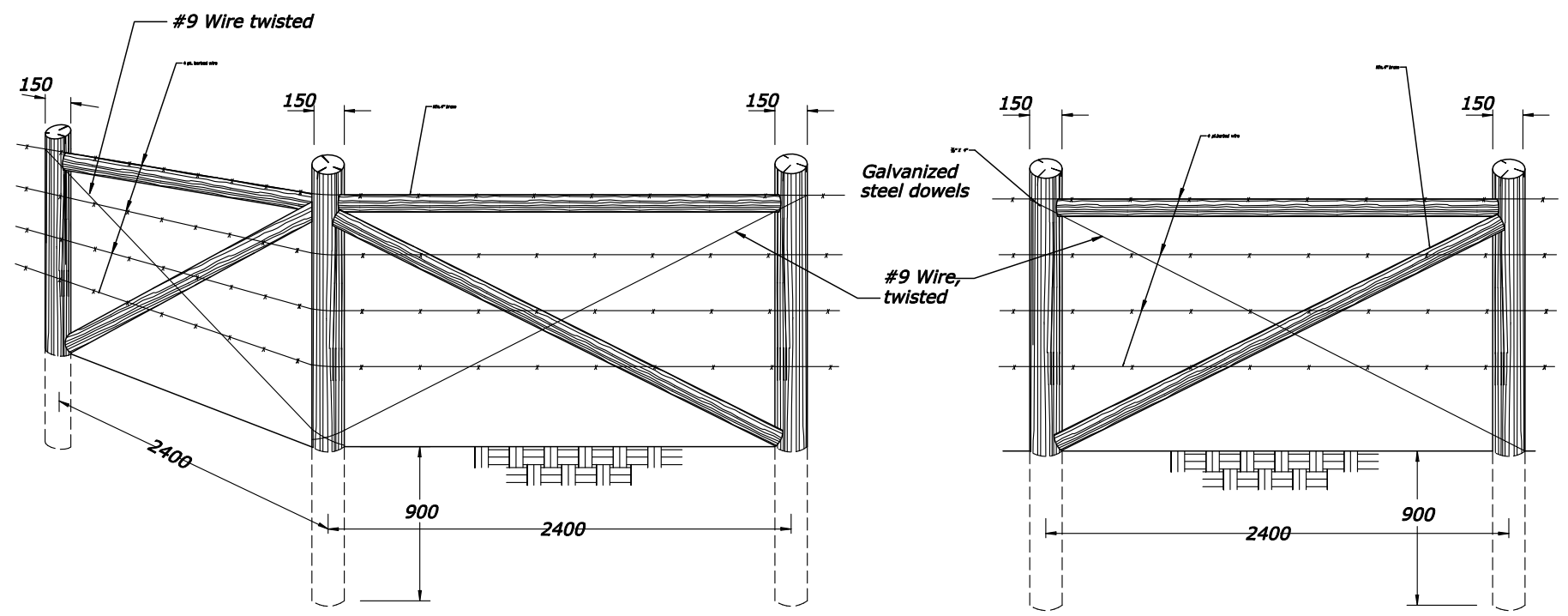


**FENCE GROUNDING
DETAIL**

BARBED WIRE FENCE WITH WOOD GATE



Detail showing method of cutting post tops



CORNER BRACE

(To be used when corner angle is 15° or over)

Place diagonal 100 brace in direction of pull. Notch posts for the 100 diagonal braces. All diagonal 100 braces to have 2 galvanized 12d nails at each end.

LINE BRACE

(Maximum spacing 500')
Line braces also to be used when vertical alignment changes 15° or more

Notes :

1. Unless otherwise shown, dimensions are in millimeters.
2. Install fence and gates at locations shown on the plans or as staked by the CO.
3. Gate width to be shown on the plans.
4. Furnish hardware in the metric size shown. Equivalent imperial sizes may be used when metric sizes are not available.

Not to Scale

U.S. DEPARTMENT OF TRANSPORTATION FEDERAL HIGHWAY ADMINISTRATION EASTERN FEDERAL LANDS HIGHWAY DIVISION	
METRIC DETAIL	
FENCE, BARBED WIRE	
DETAIL APPROVED FOR USE	DETAIL
REVISED: 01/08	EM619-02

3/26/2008 I:\56:32 PM Z:\Standards\Temp\st61902_detail.dgn