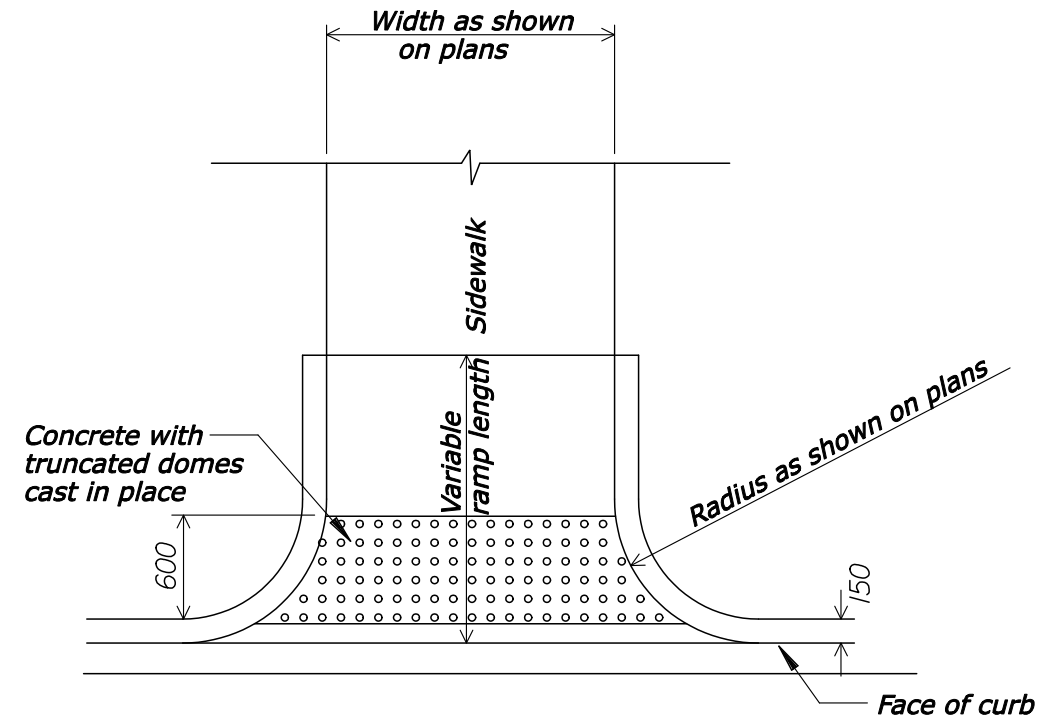
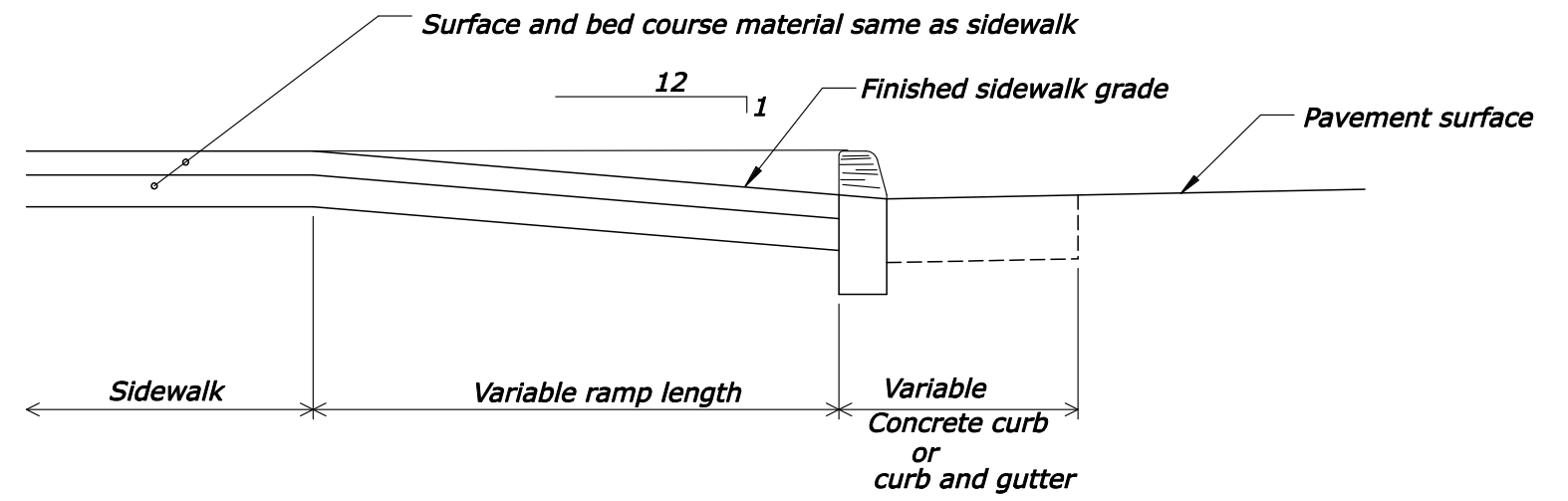


**NOTES:**

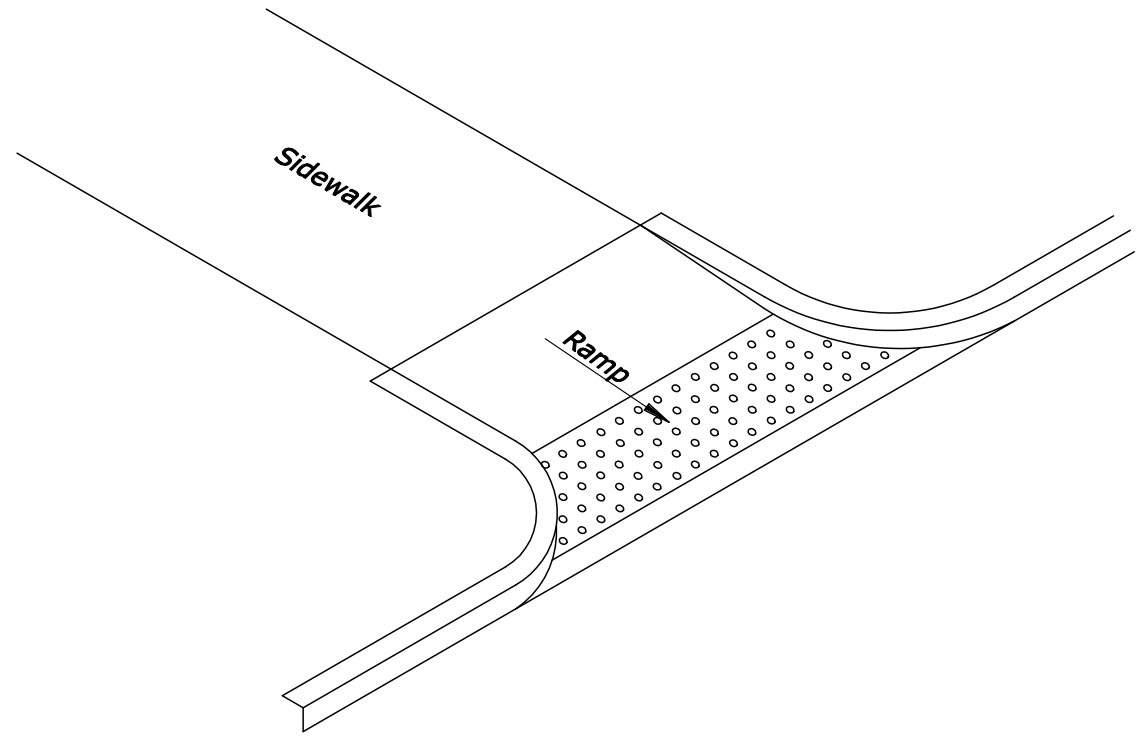
1. Unless otherwise shown, dimensions are in millimeters.



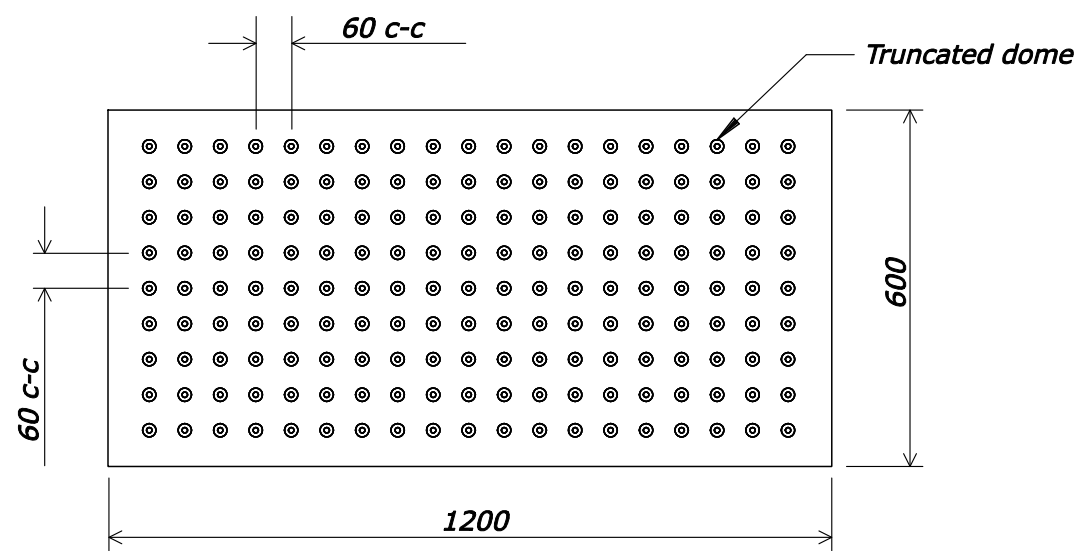
**RAMP - PLAN**



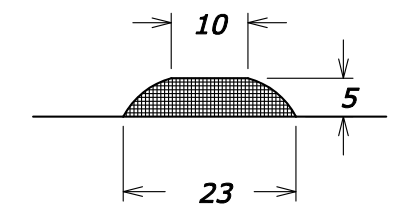
**RAMP - TYPICAL SECTION**



**RAMP - ISOMETRIC**



**PLAN**  
**DETECTABLE WARNING SURFACE**



**SECTION TRUNCATED DOME**

NO SCALE

U.S. DEPARTMENT OF TRANSPORTATION FEDERAL HIGHWAY ADMINISTRATION EASTERN FEDERAL LANDS HIGHWAY DIVISION	
METRIC DETAIL	
<b>WHEEL CHAIR RAMP CURB RETURN</b>	
DETAIL APPROVED FOR USE 2/2007 REVISED: 04/07	DETAIL EM615-05

3:22:12 PM M:\Standard\EFLHD\_Standards & Details\VB\sf61505\_detail.dgn 9/19/2007