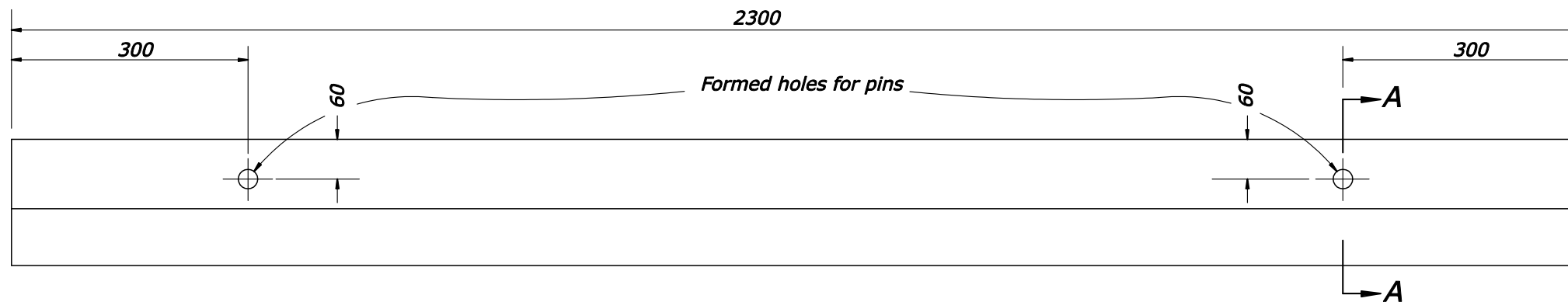
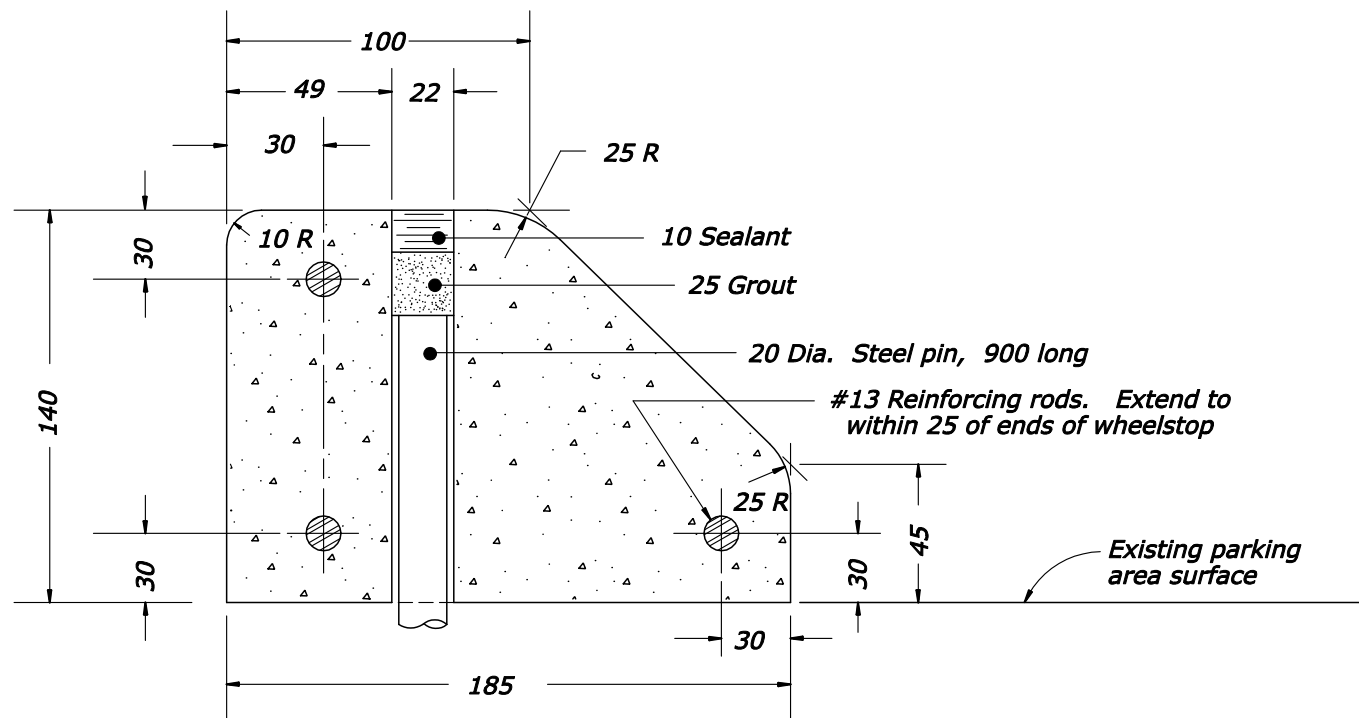


REG	STATE	PROJECT	SHEET NO.
SE	LA	RRP-LOP 10(2)	

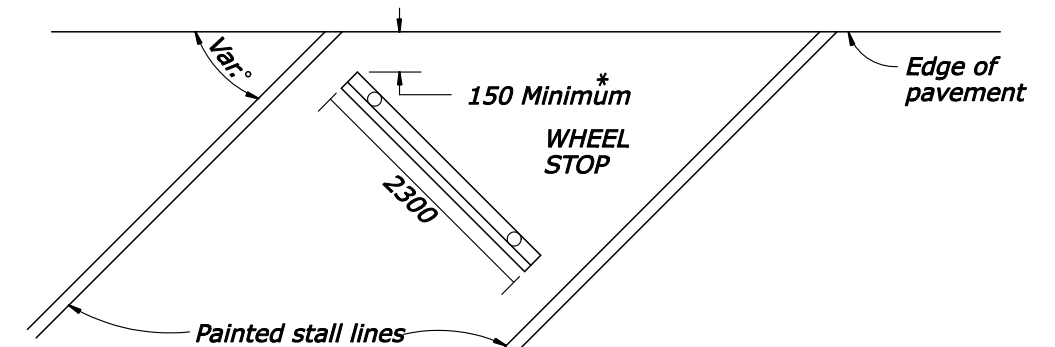


**Note:**

1. Unless otherwise shown, dimensions are in millimeters.
2. Center wheel stops between, and perpendicular to, stall lines.
3. Variations in wheel stops will be allowed with the approval of the CO to meet manufacturer's standards.

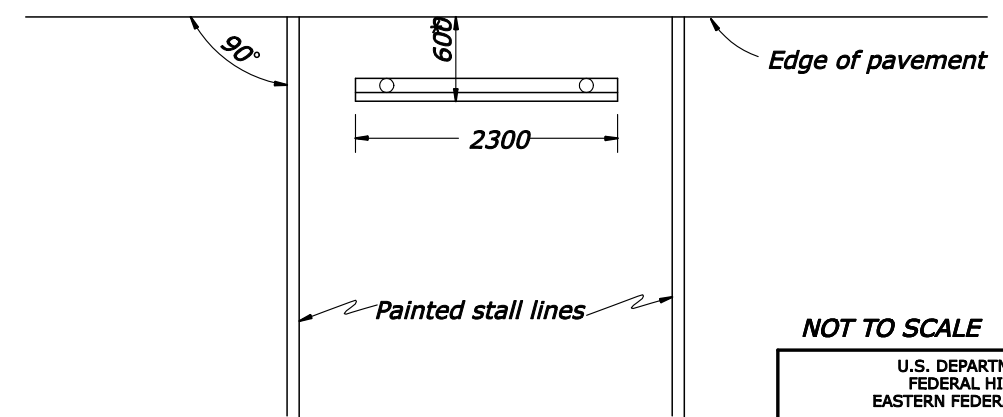


**SECTION A-A**



**ANGULAR PARKING**

\* Increase distance for walls or other obstructions, as directed by the CO.



**HEAD-ON PARKING**

NOT TO SCALE

U.S. DEPARTMENT OF TRANSPORTATION  
FEDERAL HIGHWAY ADMINISTRATION  
EASTERN FEDERAL LANDS HIGHWAY DIVISION

METRIC DETAIL

**CONCRETE WHEELSTOP**

DETAIL APPROVED FOR USE  
REVISED: 01/08

DETAIL  
EM609-02