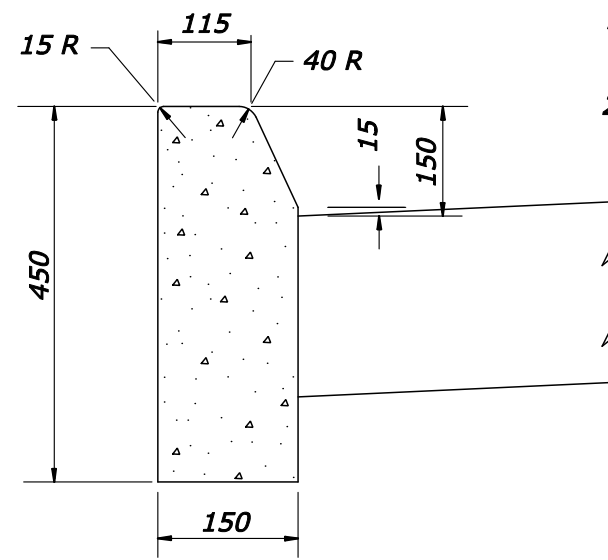


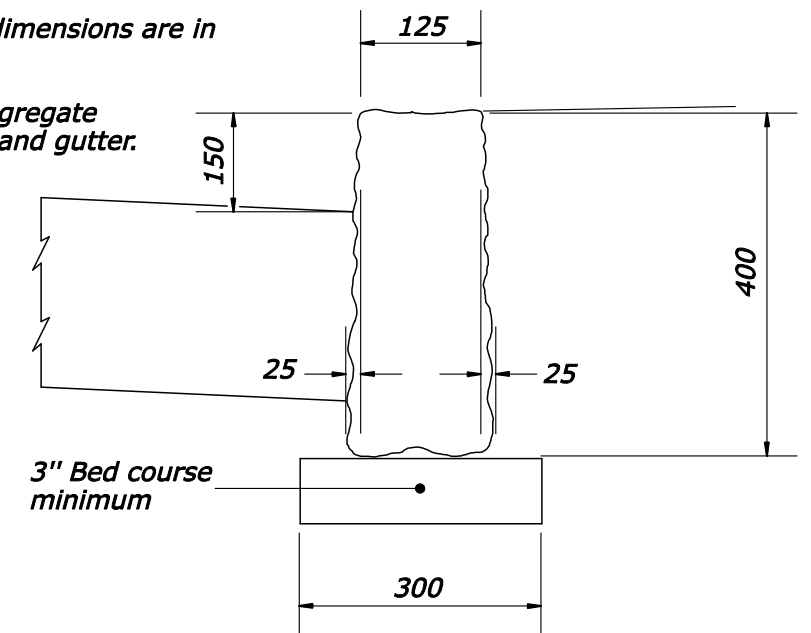
400 mm DEPTH
(MOUNTABLE)



450 mm DEPTH
(NON- MOUNTABLE)

Note:

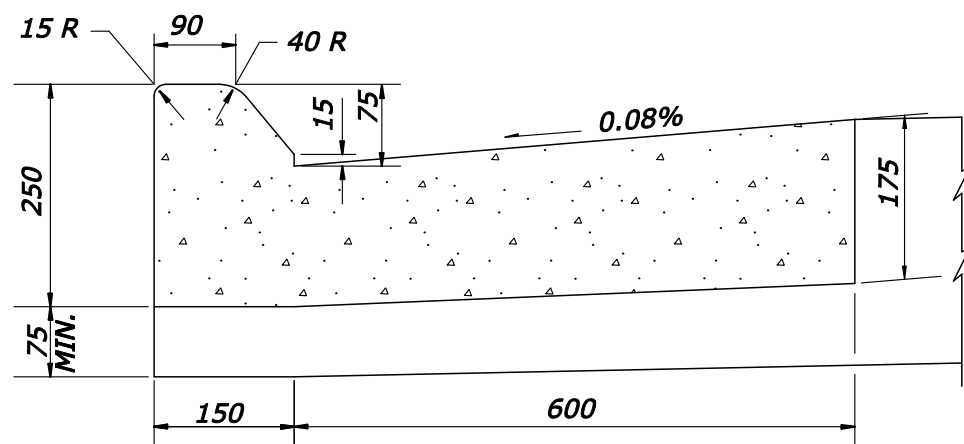
1. Unless otherwise shown, dimensions are in millimeters.
2. Place 75 mm minimum aggregate bed course under all curb and gutter.



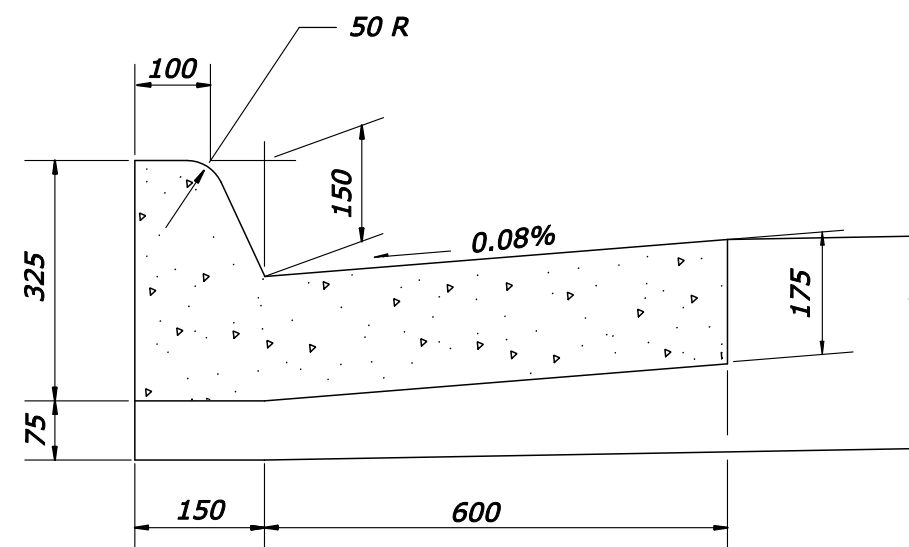
STONE CURB

400 mm DEPTH
(NON-MOUNTABLE)

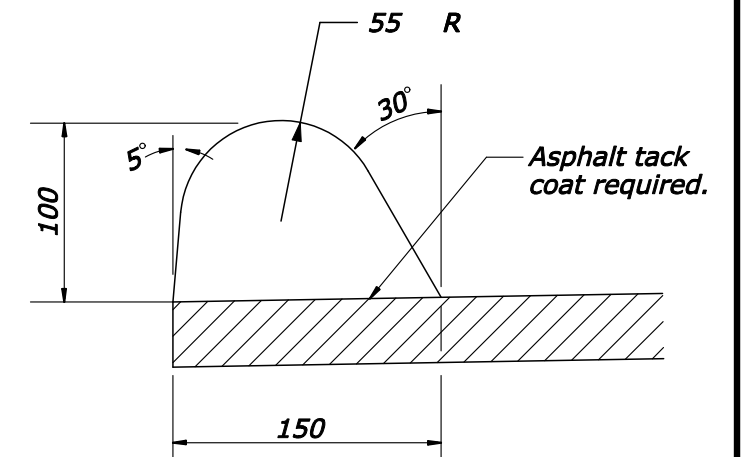
PORTLAND CEMENT CONCRETE CURB



250 mm DEPTH
(MOUNTABLE)



325 mm DEPTH
(NON- MOUNTABLE)



ASPHALT CONCRETE CURB

100 mm DEPTH
(NON-MOUNTABLE)

Asphalt tack coat may be rapid curing liquid asphalt or emulsified asphalt.

PORTLAND CEMENT CONCRETE CURB AND GUTTER

NOT TO SCALE

U.S. DEPARTMENT OF TRANSPORTATION FEDERAL HIGHWAY ADMINISTRATION EASTERN FEDERAL LANDS HIGHWAY DIVISION	
METRIC DETAIL	
CURBS	
DETAIL APPROVED FOR USE	DETAIL
REVISED: 03/08	EM609-01