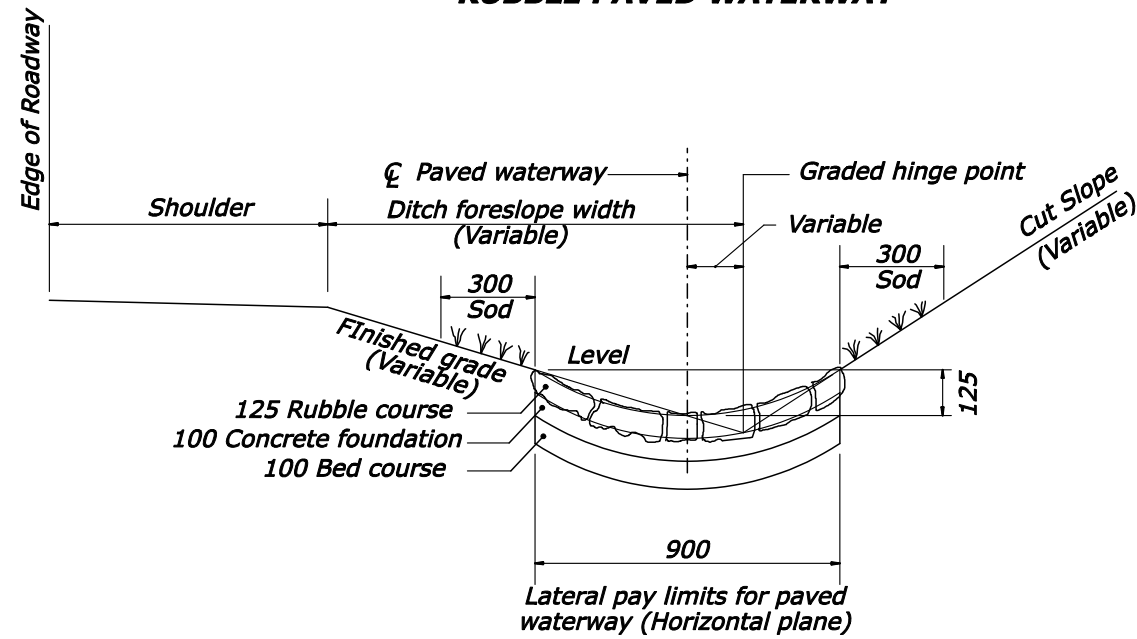


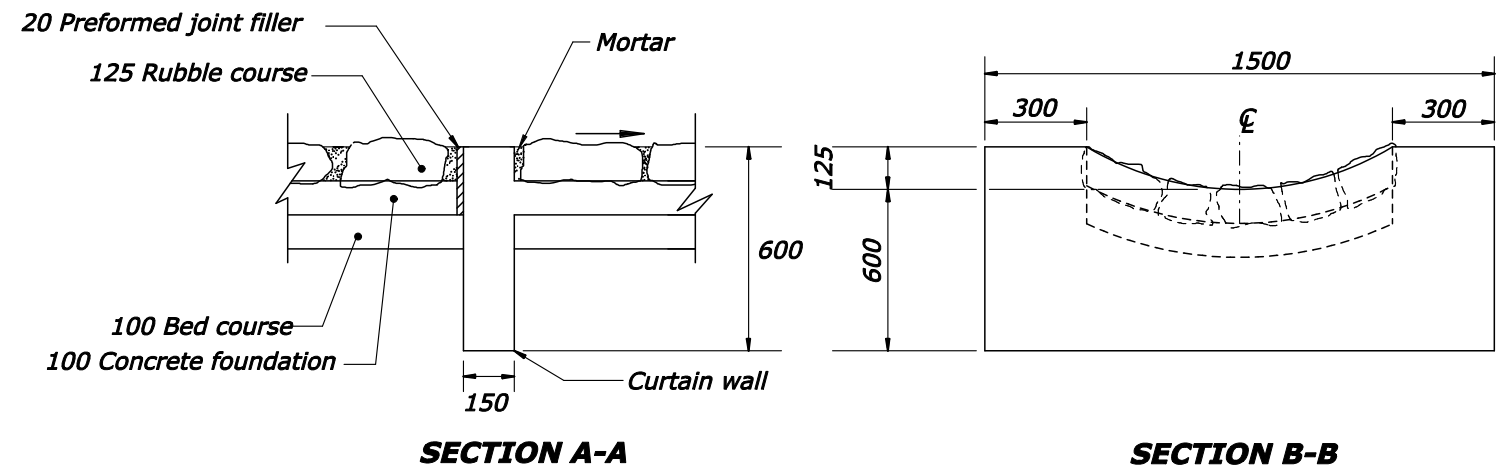
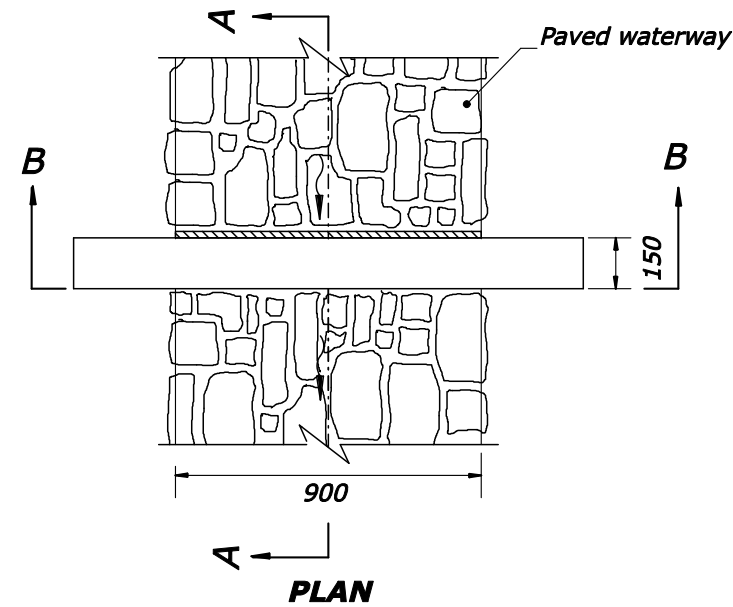
REG	STATE	PROJECT	SHEET NO.
SE	LA	RRP-LOP 10(2)	

RUBBLE PAVED WATERWAY



NOTES:

1. Unless otherwise shown, dimensions are in millimeters.
2. The approximate shape of the paved waterway is an arc with a radius of 2.9 feet.
3. At inlets and other special locations, widen and shape paved waterway to drain.
4. For concrete and rubble paved waterway construction only:
 - A. Construct in uniform sections 6 m in length, except closure sections are not to be less than 1.5 m in length. Place expansion joints, with curtain walls at 30 m intervals.
 - B. At the outlet end of each waterway construct a curtain wall on the downstream end of the last section of waterway.



3/25/2008 4:43:04 PM Z:\Standards\temp\st60803_detail.dgn

NO SCALE

U.S. DEPARTMENT OF TRANSPORTATION FEDERAL HIGHWAY ADMINISTRATION EASTERN FEDERAL LANDS HIGHWAY DIVISION	
METRIC DETAIL	
CONCRETE AND RUBBLE PAVED WATERWAYS	
DETAIL APPROVED FOR USE	DETAIL
REVISED: 01/08	EM608-03