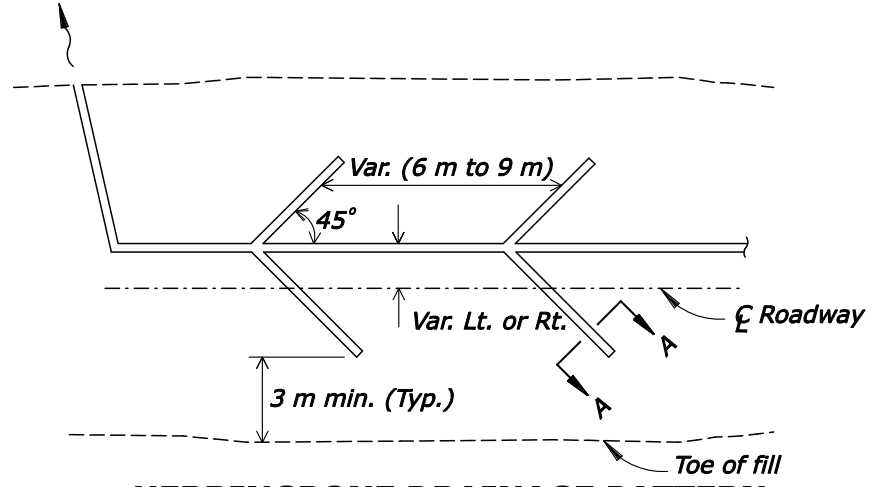
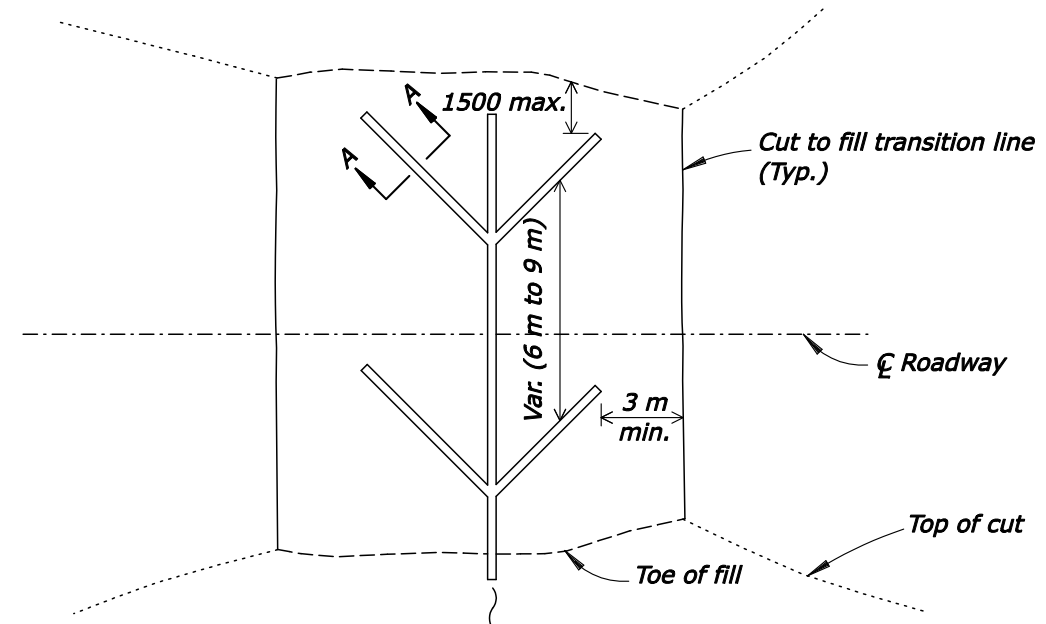


NOTE:

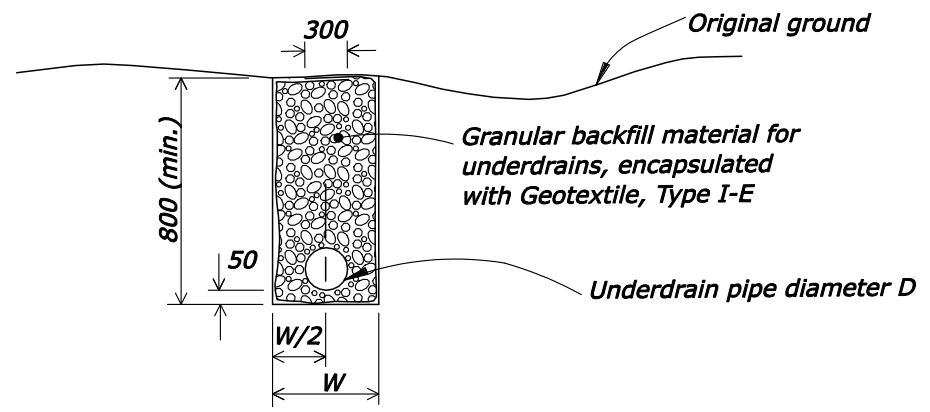
1. Unless otherwise shown, dimensions are in millimeters.
2. Location of pipe underdrains may be adjusted by the CO.
3. Minimum grade of underdrain is 0.5%.



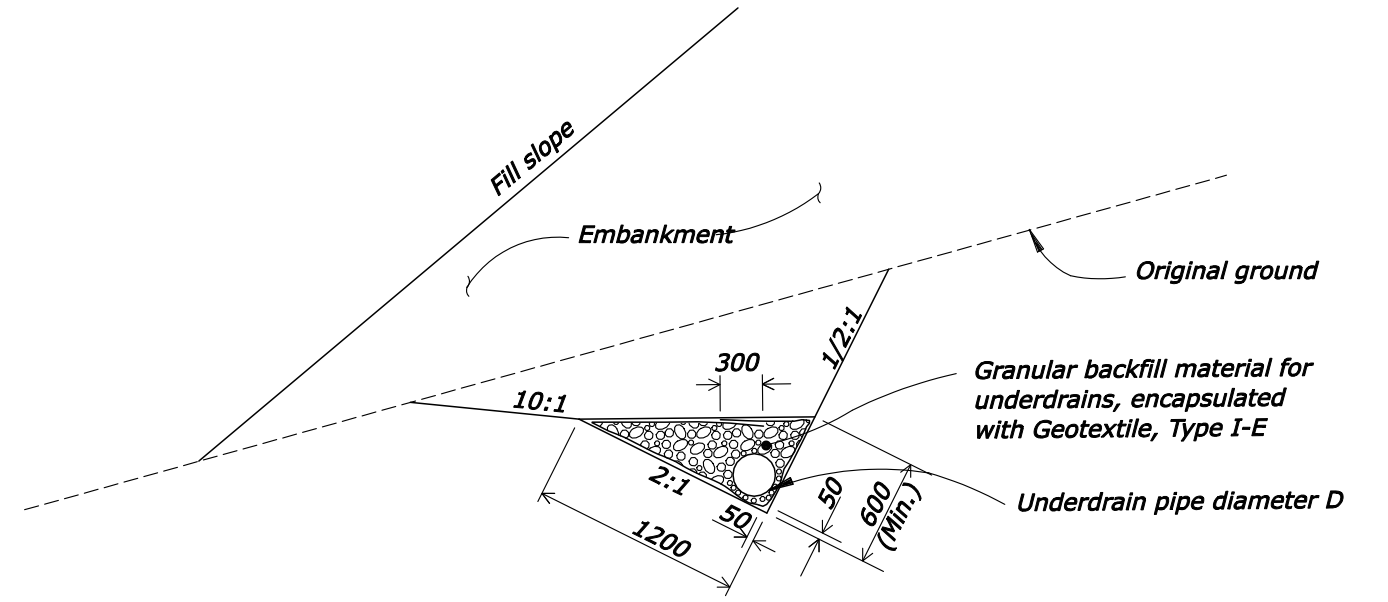
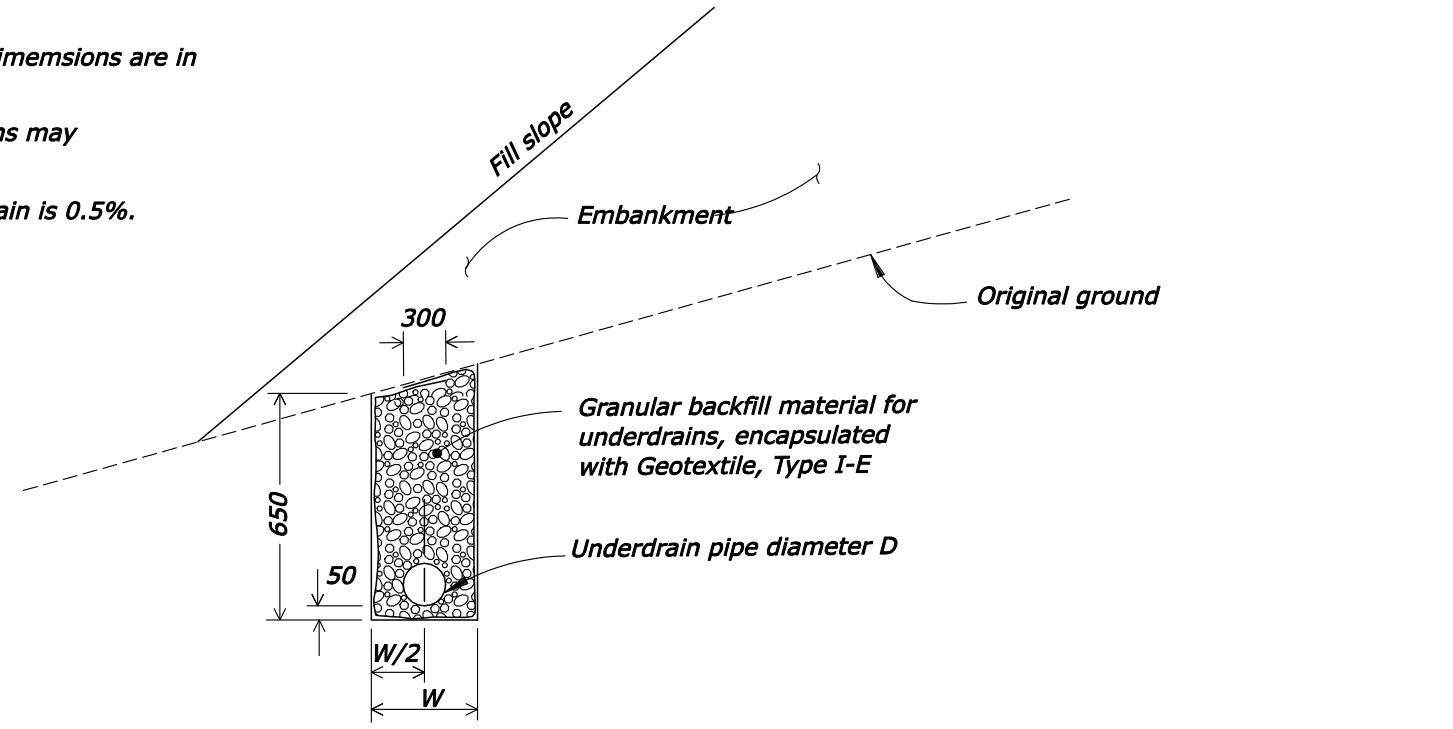
**HERRINGBONE DRAINAGE PATTERN
(PARALLEL TO ζ)**



**HERRINGBONE DRAINAGE PATTERN
(PERPENDICULAR TO ζ)**



SECTION A-A



DIAMETER (D)	WIDTH (W)
100	300
150	375

U.S. DEPARTMENT OF TRANSPORTATION
FEDERAL HIGHWAY ADMINISTRATION
EASTERN FEDERAL LANDS HIGHWAY DIVISION

METRIC DETAIL

**UNDERDRAIN,
FOR FILL SLOPES**

DETAIL APPROVED FOR USE
REVISED: 01/08

DETAIL
EM605-02