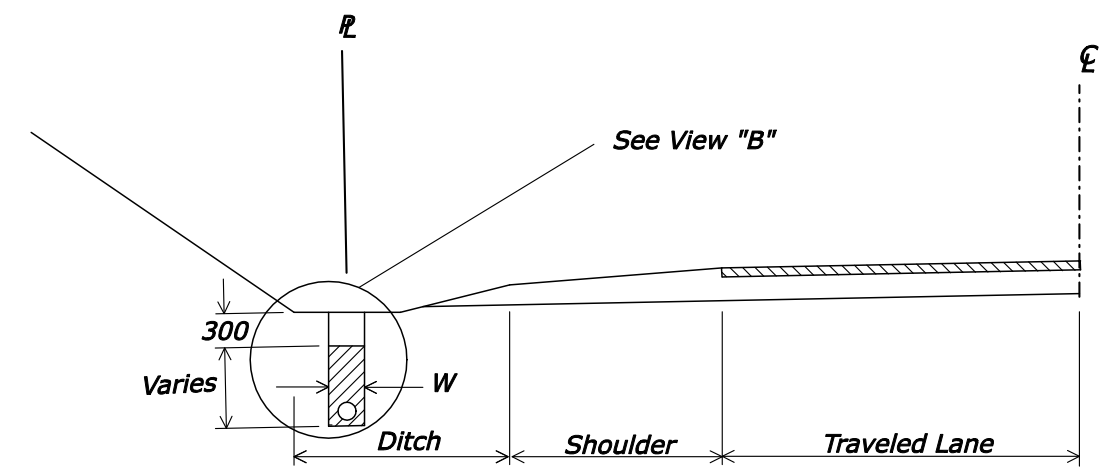
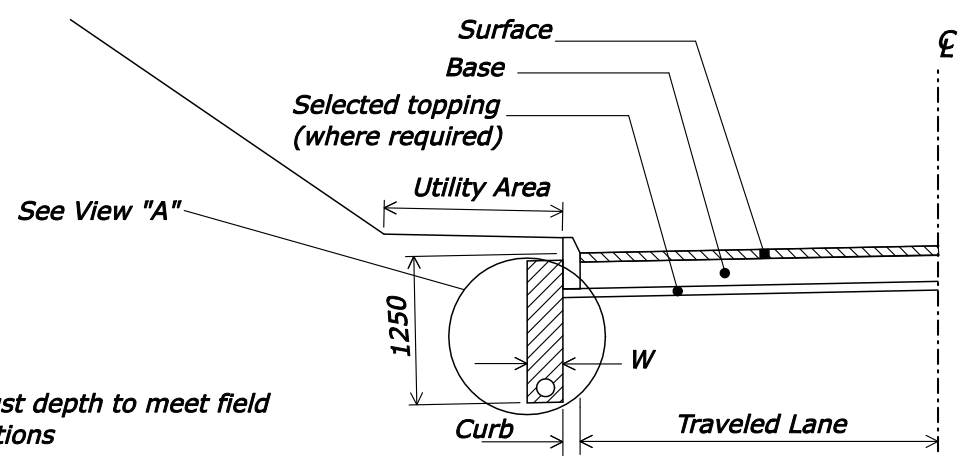


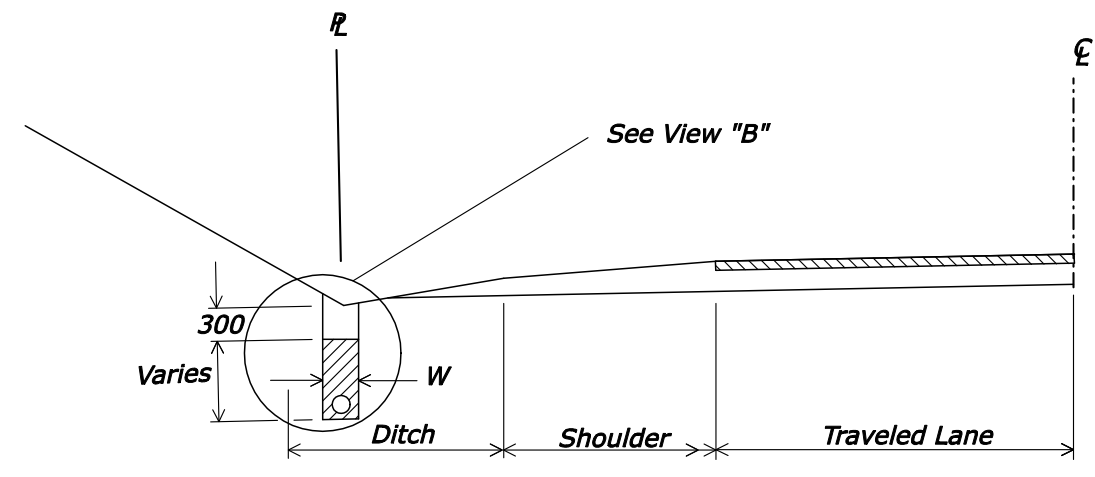
**SHOULDER**



**FLAT BOTTOM DITCH**



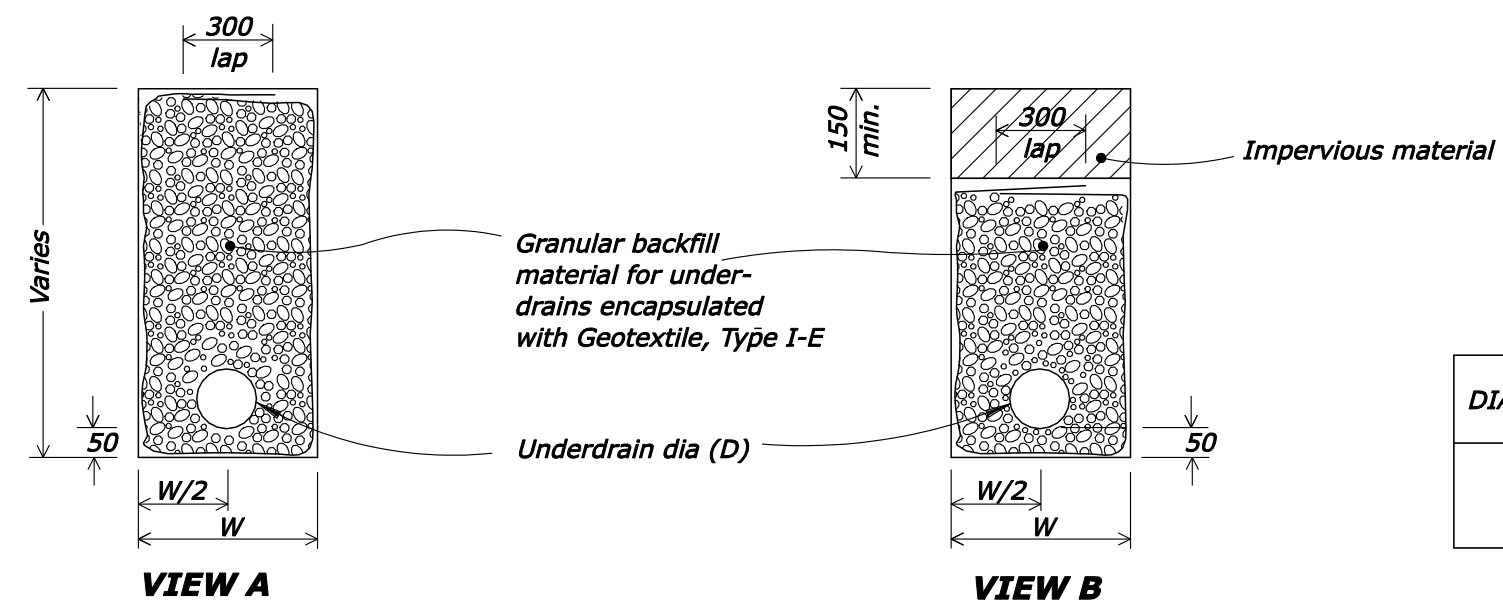
**CURB AND GUTTER**



**VEE DITCH**

**NOTES:**

1. Unless otherwise shown, dimensions are in millimeters.
2. Location of pipe underdrains may be adjusted by the CO.
3. Minimum underdrain grade is 0.5 percent.



DIAMETER (D)	MINIMUM WIDTH (W)
100	300
150	375

U.S. DEPARTMENT OF TRANSPORTATION  
FEDERAL HIGHWAY ADMINISTRATION  
EASTERN FEDERAL LANDS HIGHWAY DIVISION

METRIC DETAIL

**UNDERDRAIN, FOR PAVEMENT AND DITCHES**

DETAIL APPROVED FOR USE

REVISID: 01/08

DETAIL  
EM605-01

3/25/2008 1:25:59 PM Z:\Standards\temp\st60501\_detail.dgn