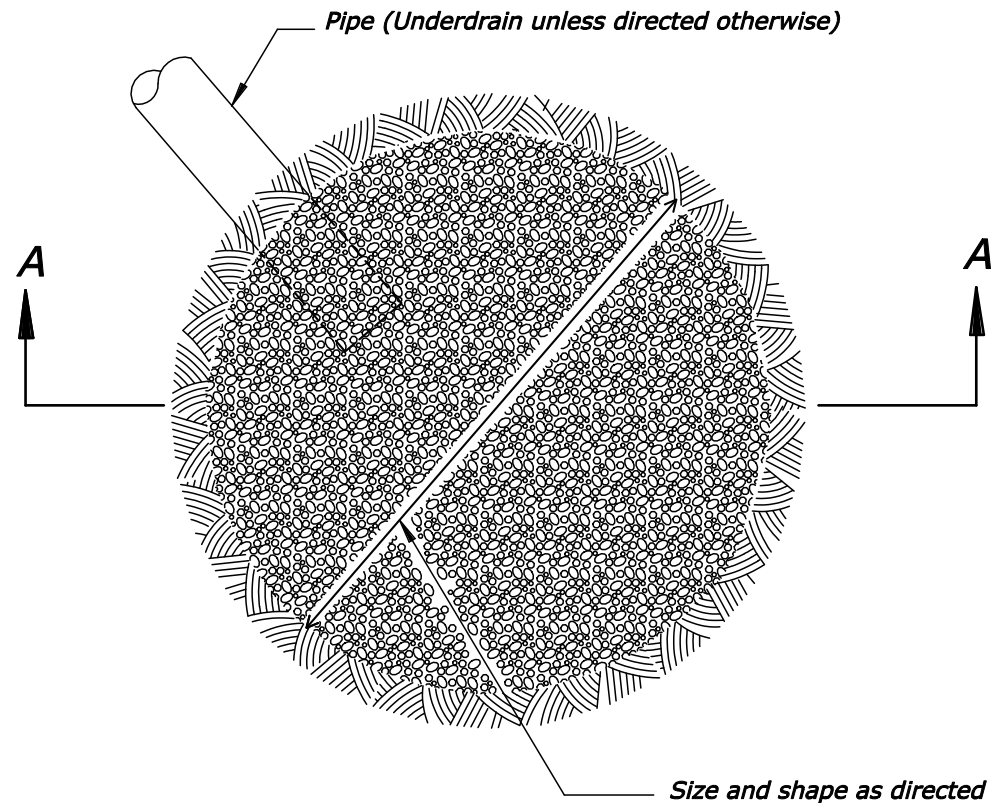
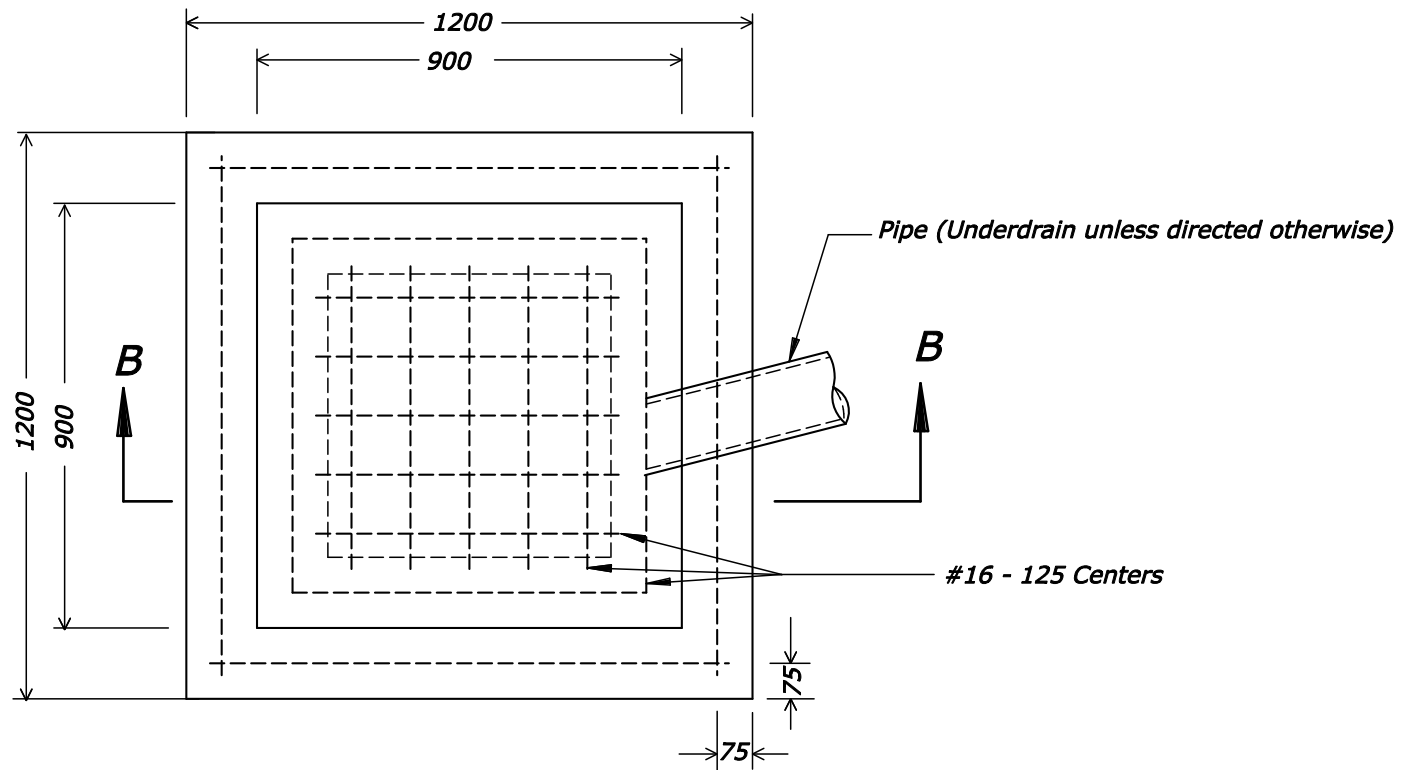


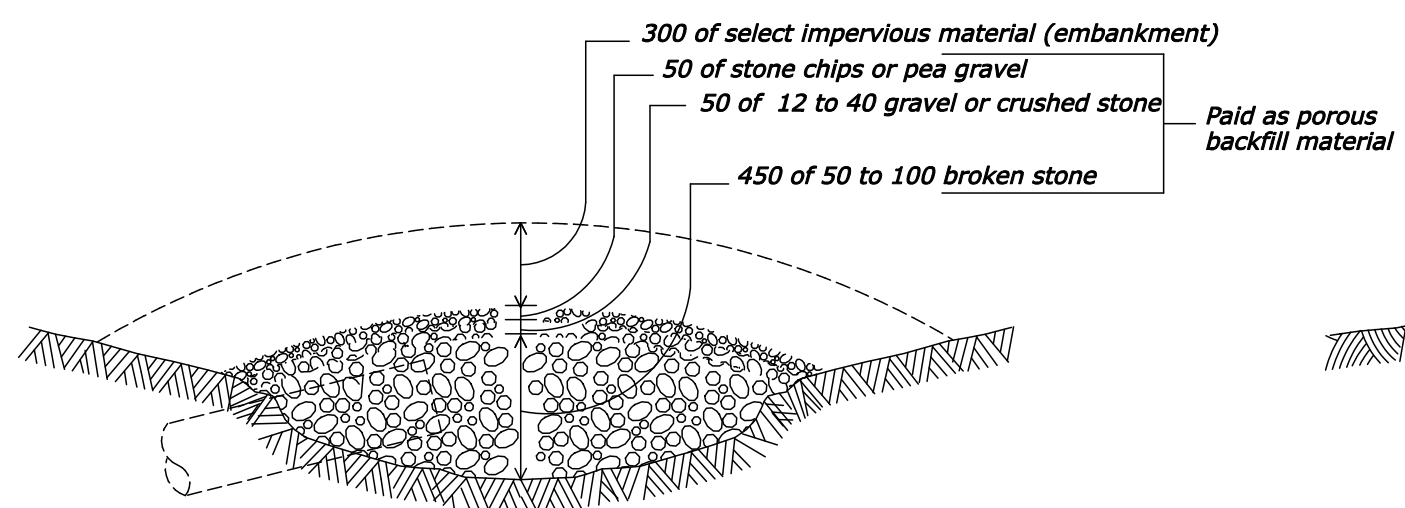
REG	STATE	PROJECT	SHEET NO.
SE	LA	RRP-LOP 10(2)	



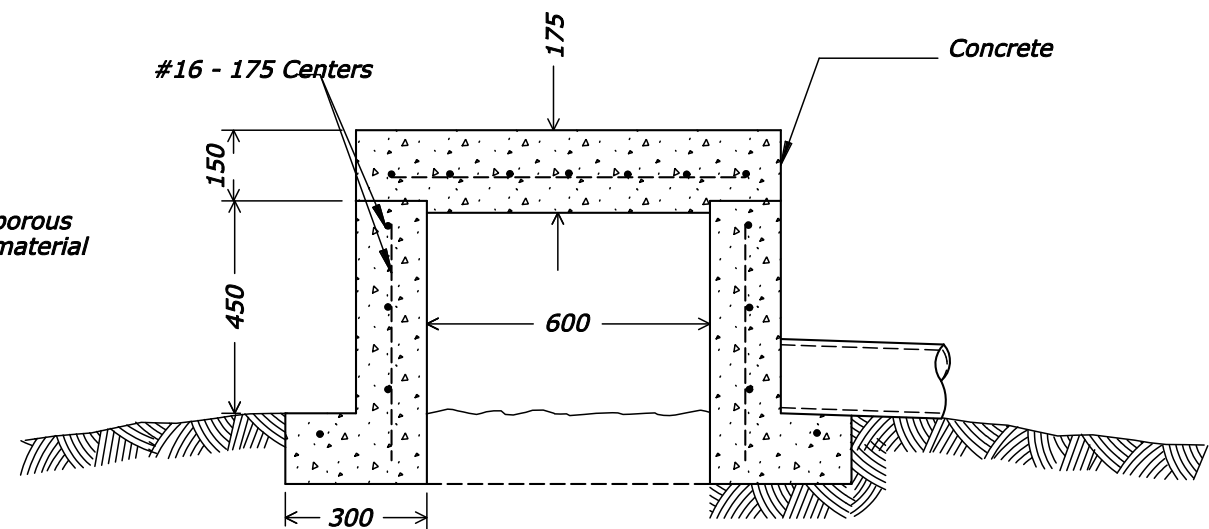
PLAN



PLAN



SECTION A-A
POROUS



SECTION B-B
REINFORCED CONCRETE

3/25/2008 11:09:42 AM Z:\Standards\temp\st60407_detail.dgn

NO SCALE

U.S. DEPARTMENT OF TRANSPORTATION FEDERAL HIGHWAY ADMINISTRATION EASTERN FEDERAL LANDS HIGHWAY DIVISION	
METRIC DETAIL	
SPRING BOX	
DETAIL APPROVED FOR USE	DETAIL
REVISED: 01/08	EM604-07