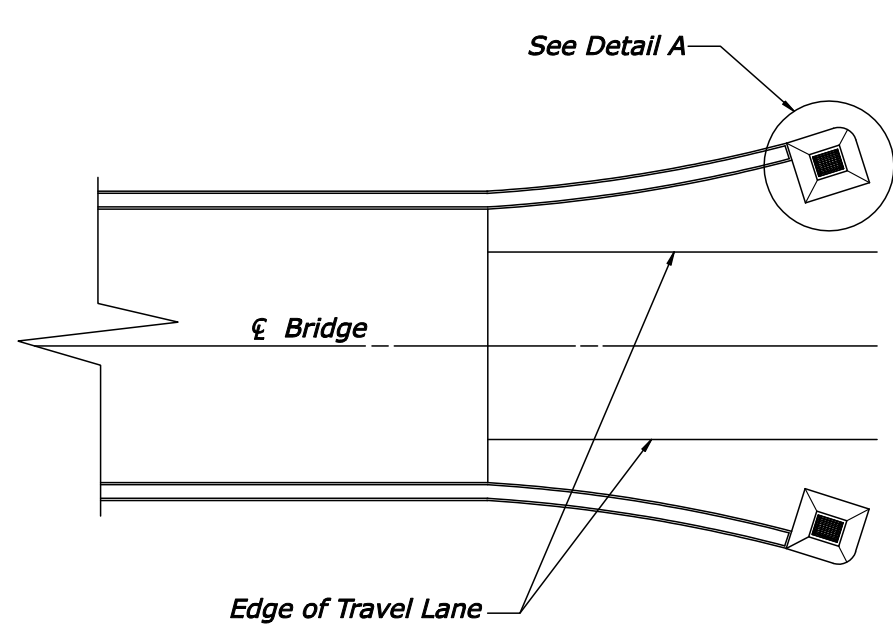
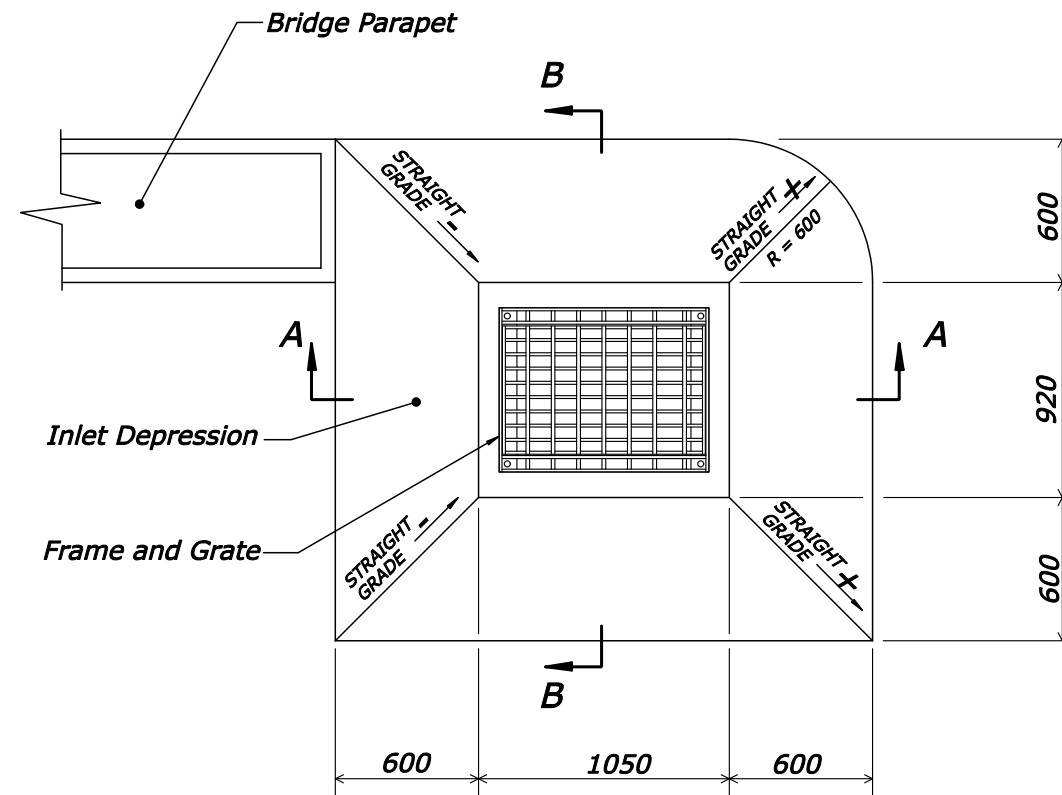


REG	STATE	PROJECT	SHEET NO.
SE	LA	RRP-LOP 10(2)	



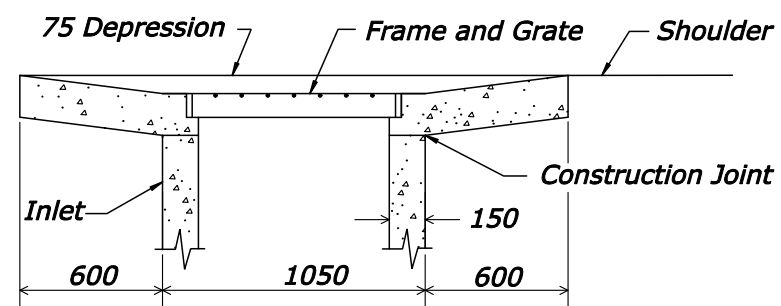
PLAN



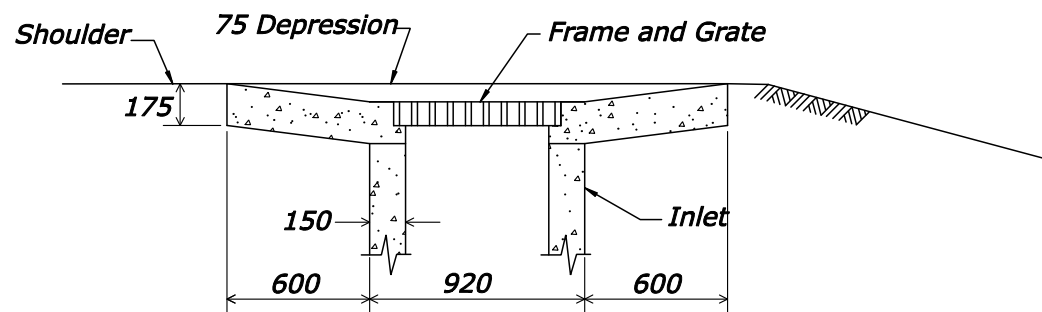
DETAIL A

Notes:

1. Unless otherwise shown, dimensions are in millimeters.
2. See Standards 604-5 and 604-6 for drop inlet and frame and grate details.



SECTION A-A



SECTION B-B

NO SCALE

U.S. DEPARTMENT OF TRANSPORTATION FEDERAL HIGHWAY ADMINISTRATION EASTERN FEDERAL LANDS HIGHWAY DIVISION	
METRIC DETAIL	
INLET, TYPE 5A MODIFIED	
DETAIL APPROVED FOR USE	DETAIL
REVISED: 01/08	EM604-03