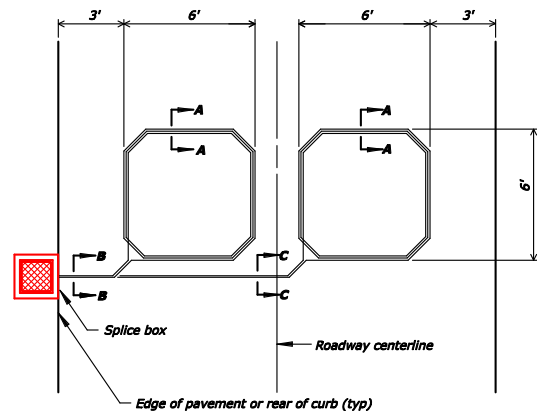
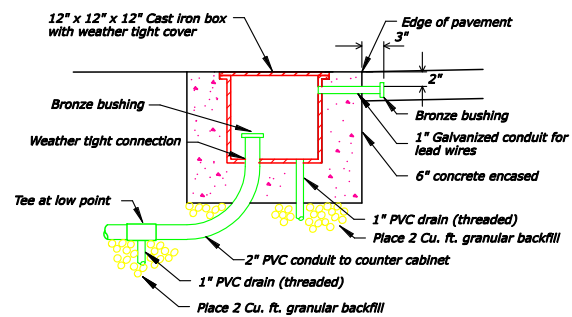
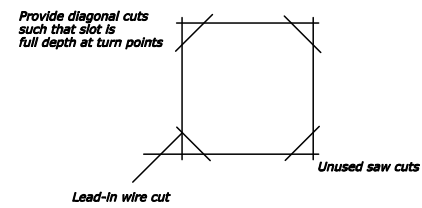
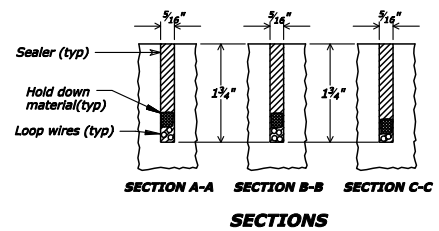


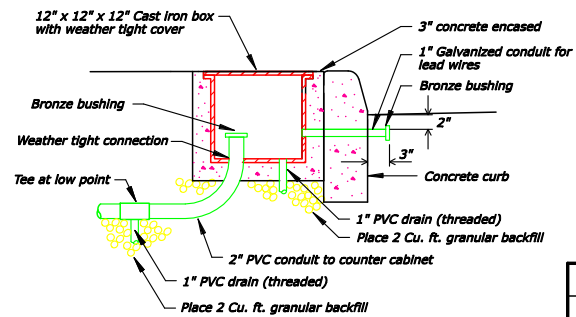
RIS	STATE	PROJECT	SHEET NO.
SE	LA	RFP-LOP 10(2)	



**SCHMATIC OF VEHICLE LOOP DETECTORS**



**SPLICE BOX - WITHOUT CURB**



**SPLICE BOX - WITH CURB**

NO SCALE

U.S. DEPARTMENT OF TRANSPORTATION FEDERAL HIGHWAY ADMINISTRATION EASTERN FEDERAL LANDS HIGHWAY DIVISION U.S. CUSTOMARY DETAIL	
<b>TRAFFIC DETECTION DEVICES</b>	
DETAIL APPROVED FOR USE	DETAIL
REVISION: 01/07	E636-01

7/15/2007 5:03:32 PM \\msbserver\CVT\US-Standards\6-Detail\WSP\0201.dwg