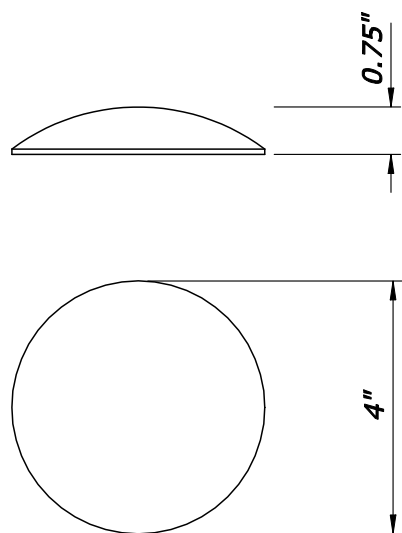
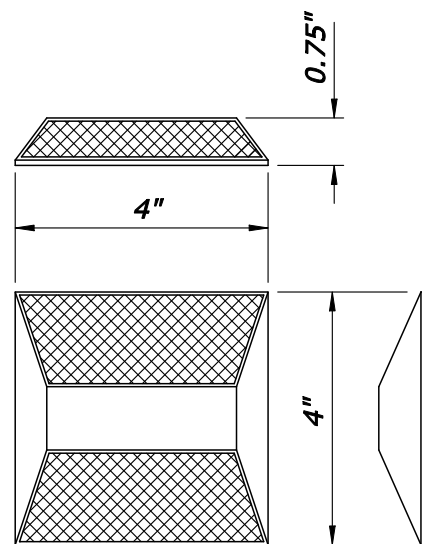


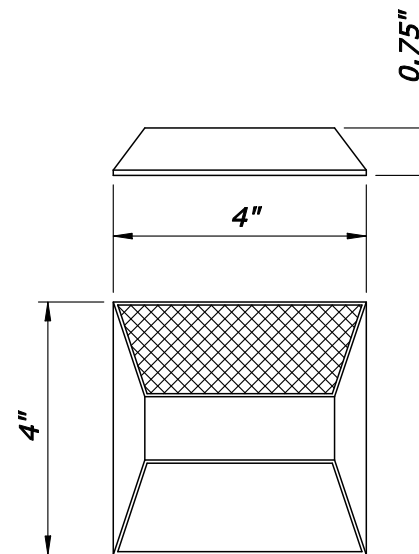
| REG | STATE | PROJECT | SHEET NO. |
|-----|-------|---------------|-----------|
| SE | LA | RRP-LOP 10(2) | |



TYPE A



TYPE B

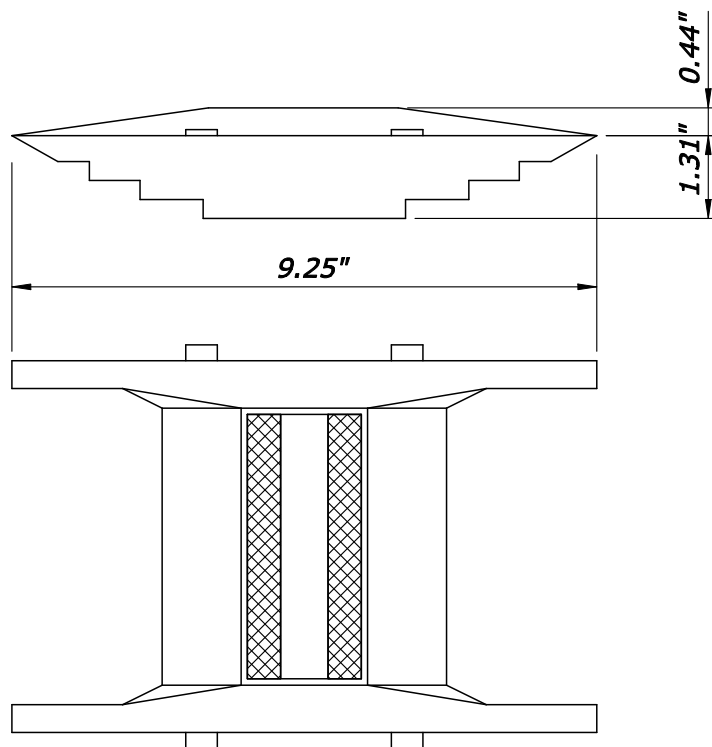


TYPE C

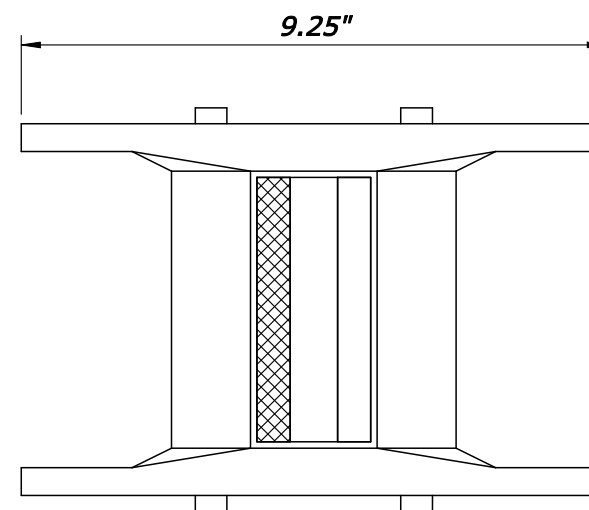
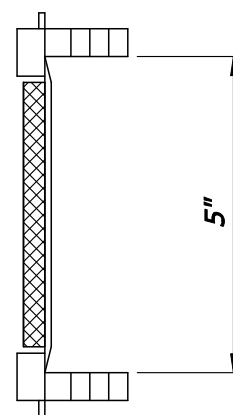
NOTES:

1. Colors of the reflective markers to be either clear (white), yellow or red as specified.
2. The shell of the marker to be of one color or a combination of colors the same as the reflector.

NON-SNOW PLOWABLE PAVEMENT MARKERS



TYPE D



TYPE E

Reflective material 

SNOW PLOWABLE PAVEMENT MARKERS

NO SCALE

| | |
|---|---------|
| U.S. DEPARTMENT OF TRANSPORTATION FEDERAL HIGHWAY ADMINISTRATION EASTERN FEDERAL LANDS HIGHWAY DIVISION | |
| U.S. CUSTOMARY DETAIL | |
| RAISED PAVEMENT MARKERS | |
| DETAIL APPROVED FOR USE 10/94 | DETAIL |
| REVISED: 11/94 03/2007 | E634-02 |