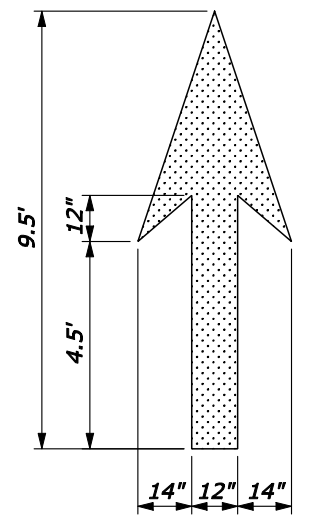
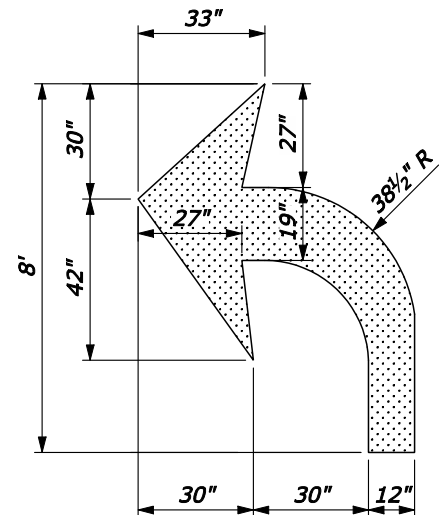


**NOTE:**

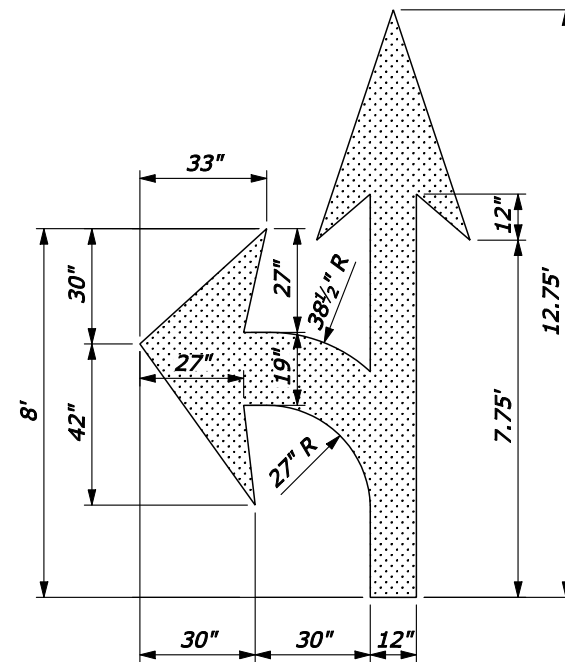
1. Place pavement word and symbol markings in accordance with the "Manual on Uniform Traffic Control Devices" (MUTCD), current edition.
2. All letters, numerals and symbols shall conform with the "Standard Highway Signs", current edition.
3. The Accessibility Parking Space marking only includes the accessibility symbol unless a border is indicated in the Striping Plans.



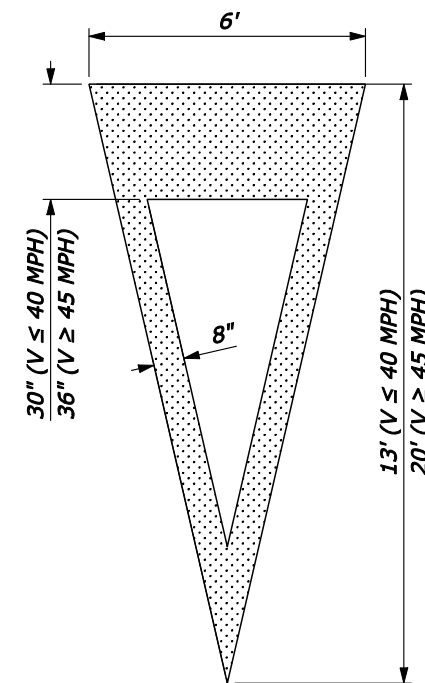
**THROUGH  
LANE-USE ARROW**



**TURN LANE-USE ARROW**

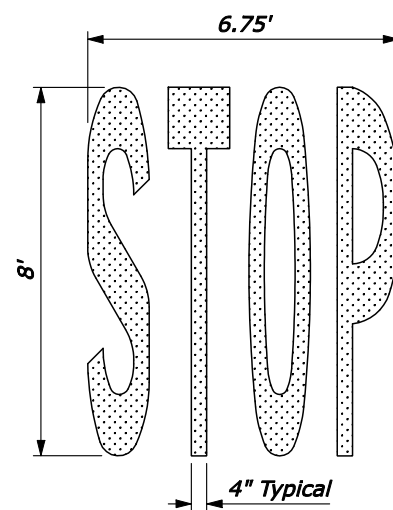


**TURN AND THROUGH  
LANE-USE ARROW**

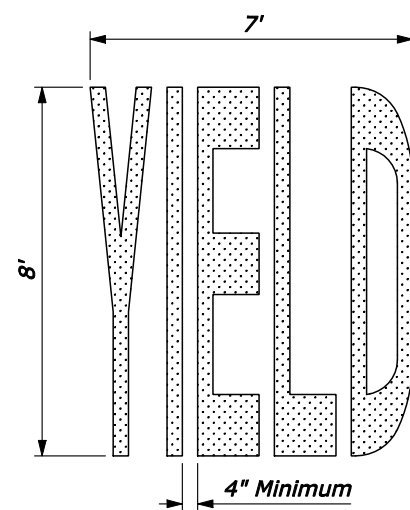


**YIELD AHEAD  
TRIANGLE SYMBOL**

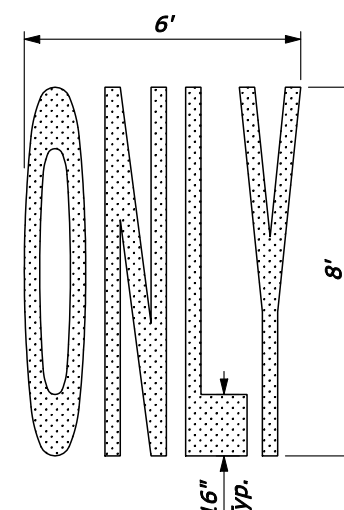
PAVEMENT MARKING AREAS	
TYPE	SQFT
Through Lane-Use Arrow	12
Turn Lane-Use Arrow	16
Turn and Through Lane-Use Arrow	26
Yield Ahead Arrow (V < 70 km/h)	26
Yield Ahead Arrow (V ≥ 70 km/h)	37
Accessibility Marking (symbol only)	2
Accessibility Marking w/ border (White)	5
Accessibility Marking w/ border (Blue)	9
AHEAD Word Marking	30
ONLY Word Marking	21
SCHOOL Word Marking	33
STOP Word Marking	22
YIELD Word Marking	24



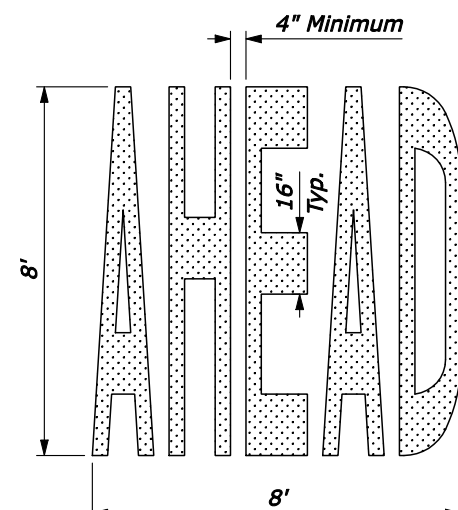
**"STOP" WORD MARKING**



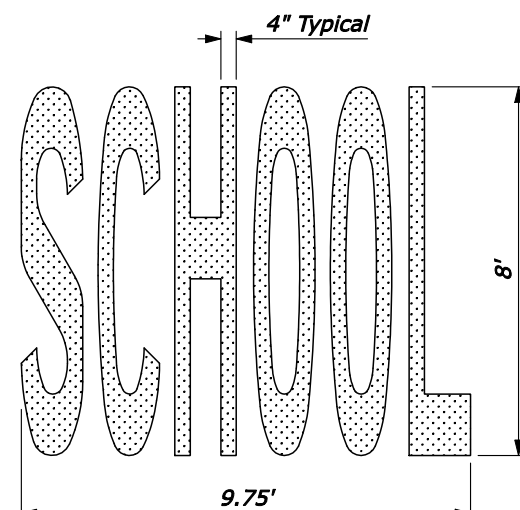
**"YIELD" WORD MARKING**



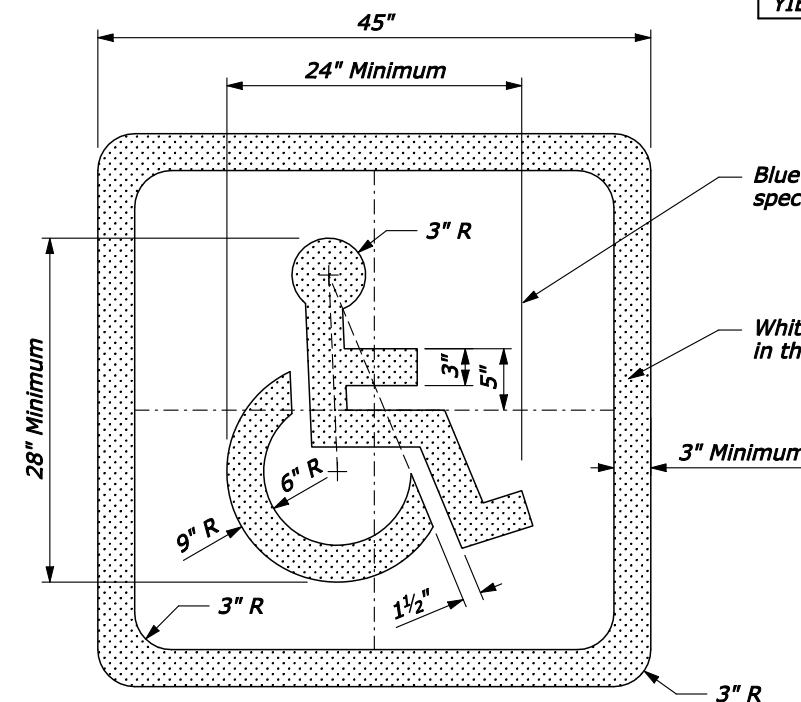
**"ONLY" WORD MARKING**



**"AHEAD" WORD MARKING**



**"SCHOOL" WORD MARKING**



**ACCESSIBILITY PARKING SPACE MARKING**

NO SCALE

U.S. DEPARTMENT OF TRANSPORTATION  
FEDERAL HIGHWAY ADMINISTRATION  
EASTERN FEDERAL LANDS HIGHWAY DIVISION

U.S. CUSTOMARY DETAIL

**PAVEMENT MARKINGS  
SYMBOLS AND WORDS**

DETAIL APPROVED FOR USE 3/2003  
REVISED: 06/2007

DETAIL  
E634-01