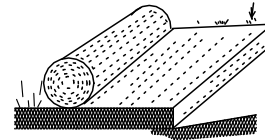


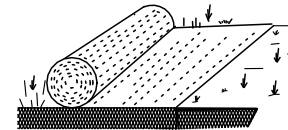
REG	STATE	PROJECT	SHEET NO.
SE	LA	RRP-LOP 10(2)	

Install matting along the bottom of all ditches and up the side slopes as follows:

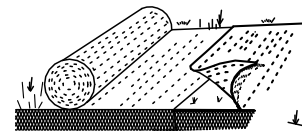
Step 1: Bury the top end of the mat strip in a trench 6" or more in depth.



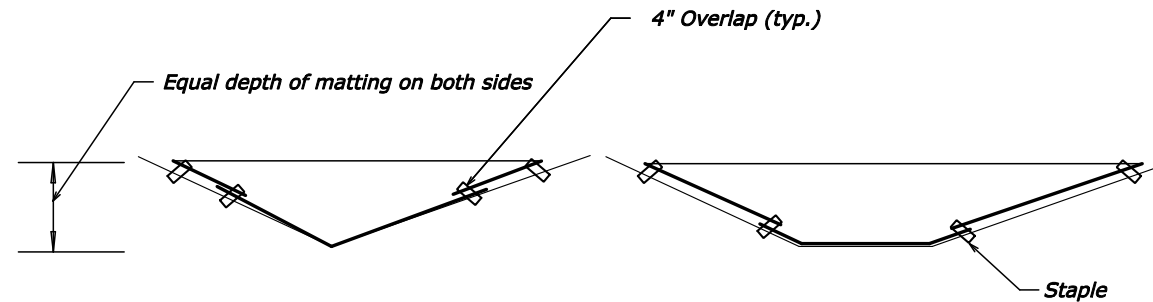
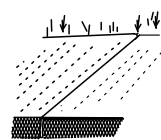
Step 2: Tamp the trench full of soil. Secure with row of fasteners: 6" spacing, 4" down from the trench.



Step 3: Overlap- bury upper end of lower strip as in (1) and (2). Overlap end of top strip 4" and fasten.



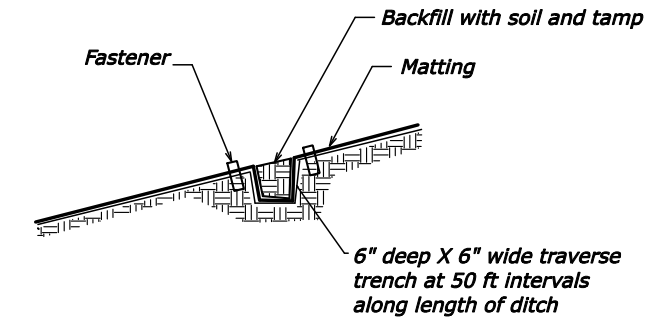
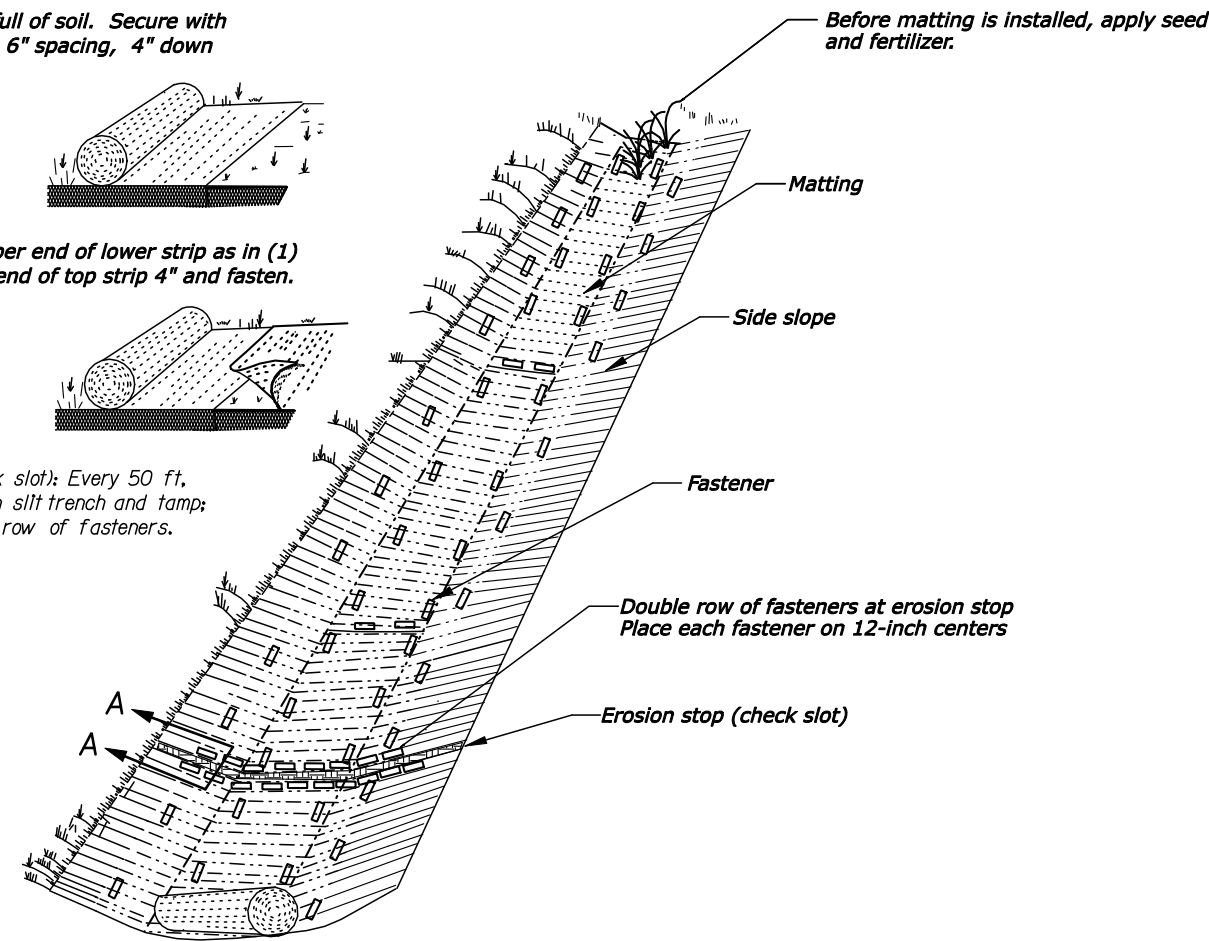
Erosion stop (check slot): Every 50 ft, bury fold of mat in silt trench and tamp; fasten with double row of fasteners. See Section A-A



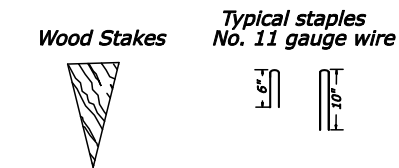
CROSS SECTION THROUGH V AND FLAT BOTTOM DITCHES

NOTE:

1. Apply seed, fertilizer, and mulch, as directed in the plans and special contract requirements, before placing matting.



**SECTION A-A
Erosion Stop (Check Slot) Detail**



**DETAIL A
Typical Ground Fasteners**

DETAIL FOR PERMANENTLY STABILIZING DITCHES WITH MATTING

NO SCALE

U.S. DEPARTMENT OF TRANSPORTATION FEDERAL HIGHWAY ADMINISTRATION EASTERN FEDERAL LANDS HIGHWAY DIVISION	
U.S. CUSTOMARY DETAIL	
DITCH STABILIZATION WITH MATTING	
DETAIL APPROVED FOR USE	DETAIL
REVISED: 06/00 10/07	E629-02

10/22/2007 3:00:08 PM M:\Standard\EF\LHD_Detail\Drawings\62902.dwg