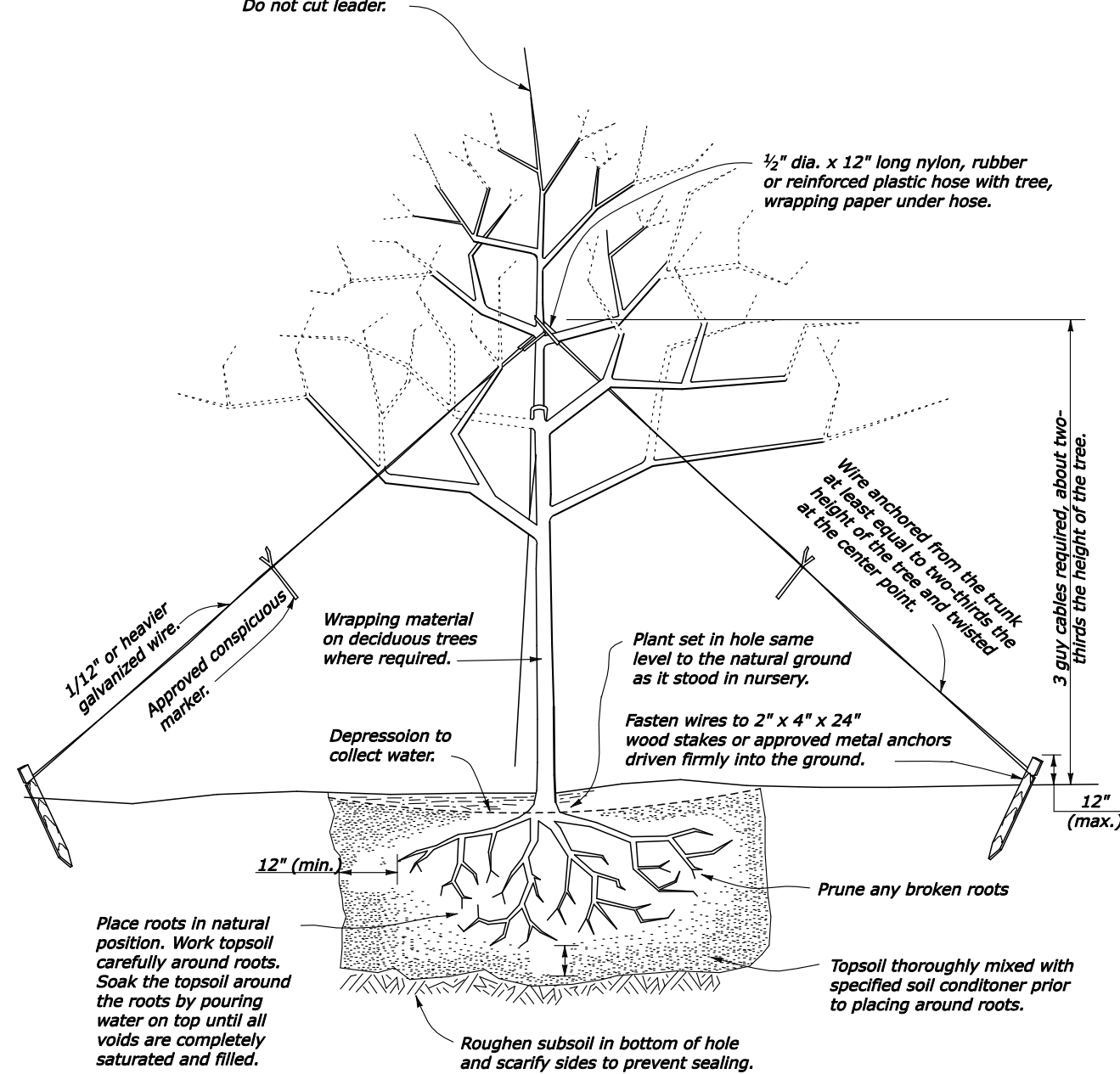
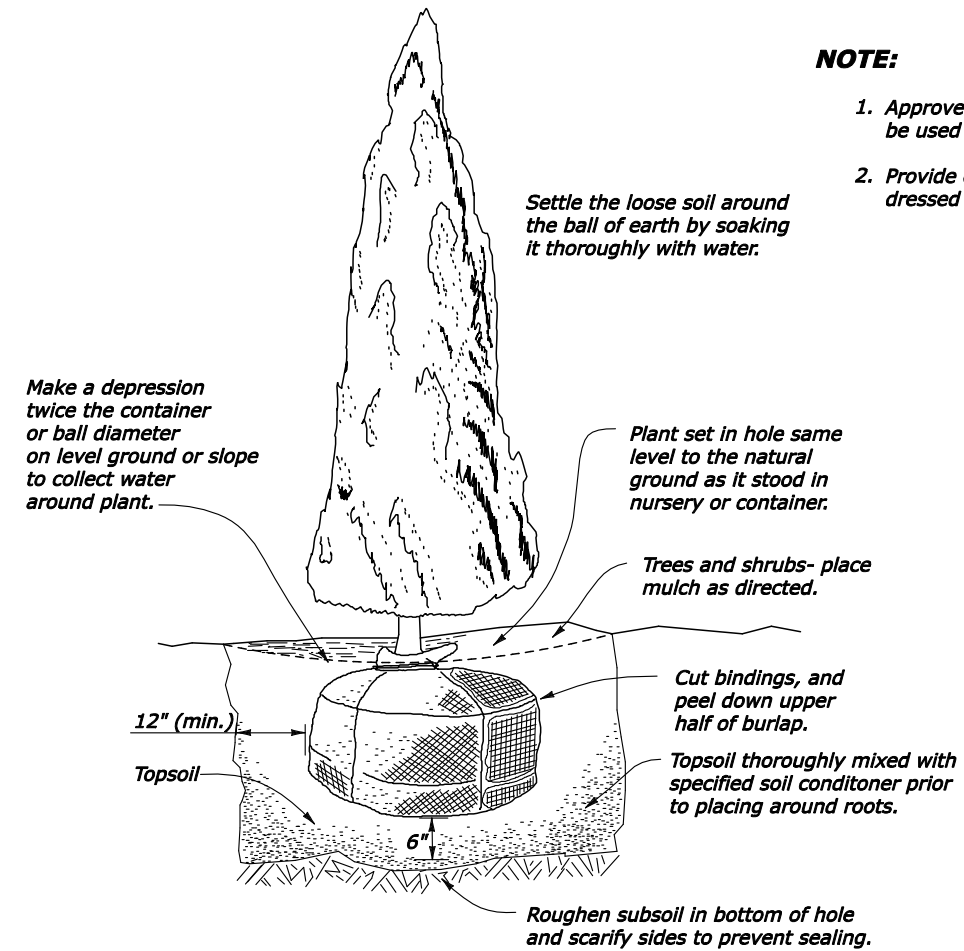


REG	STATE	PROJECT	SHEET NO.
SE	LA	RRP-LOP 10(2)	

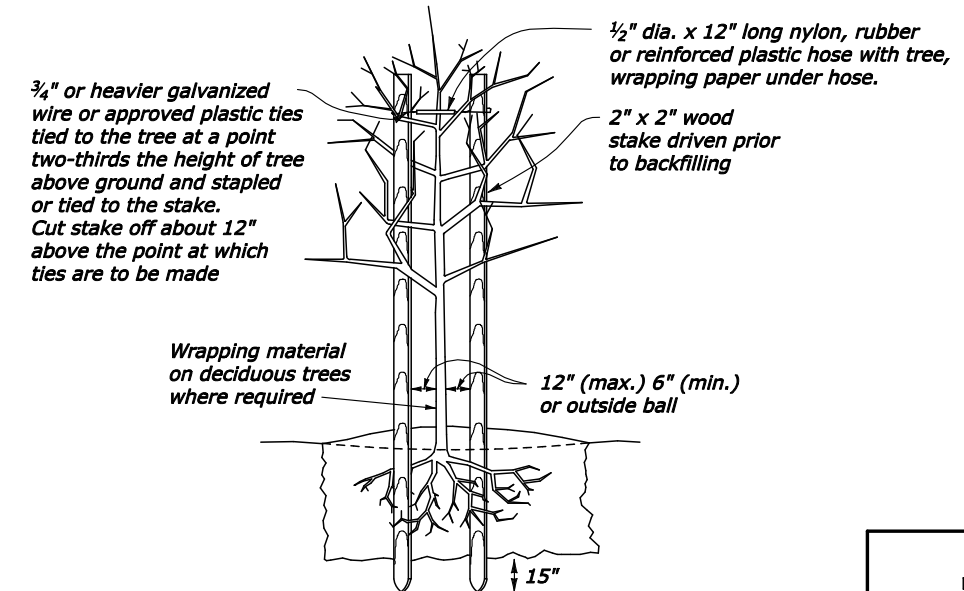
For bare root trees and shrubs prune branches about $\frac{1}{3}$ for nursery stock and about $\frac{1}{2}$ for collected material as indicated by dotted lines. Do not cut leader.



METHOD OF PLANTING BARE ROOT TREES AND SHRUBS AND METHOD OF GUYING DECIDUOUS TREES OVER 12' AND CONIFERS OVER 4'



METHOD OF PLANTING CONTAINER OR BALLED AND BURLAPPED TREES AND SHRUBS



METHOD OF STAKING DECIDUOUS TREES UNDER 12'

NOTE:

1. Approved commercial plant ties may be used in lieu of hose and wire guying.
2. Provide construction grade, rough or dressed Douglas fir or pine stakes.

Settle the loose soil around the ball of earth by soaking it thoroughly with water.

Plant set in hole same level to the natural ground as it stood in nursery or container.

Trees and shrubs- place mulch as directed.

Cut bindings, and peel down upper half of burlap.

Topsoil thoroughly mixed with specified soil conditioner prior to placing around roots.

Roughen subsoil in bottom of hole and scarify sides to prevent sealing.

1/2" dia. x 12" long nylon, rubber or reinforced plastic hose with tree, wrapping paper under hose.

2" x 2" wood stake driven prior to backfilling

Wrapping material on deciduous trees where required

12" (max.) 6" (min.) or outside ball

U.S. DEPARTMENT OF TRANSPORTATION
FEDERAL HIGHWAY ADMINISTRATION
EASTERN FEDERAL LANDS HIGHWAY DIVISION

U.S. CUSTOMARY DETAIL

TREES AND SHRUBS PLANTING METHODS

DETAIL APPROVED FOR USE

DETAIL

REVISED: 1/08

E626-50