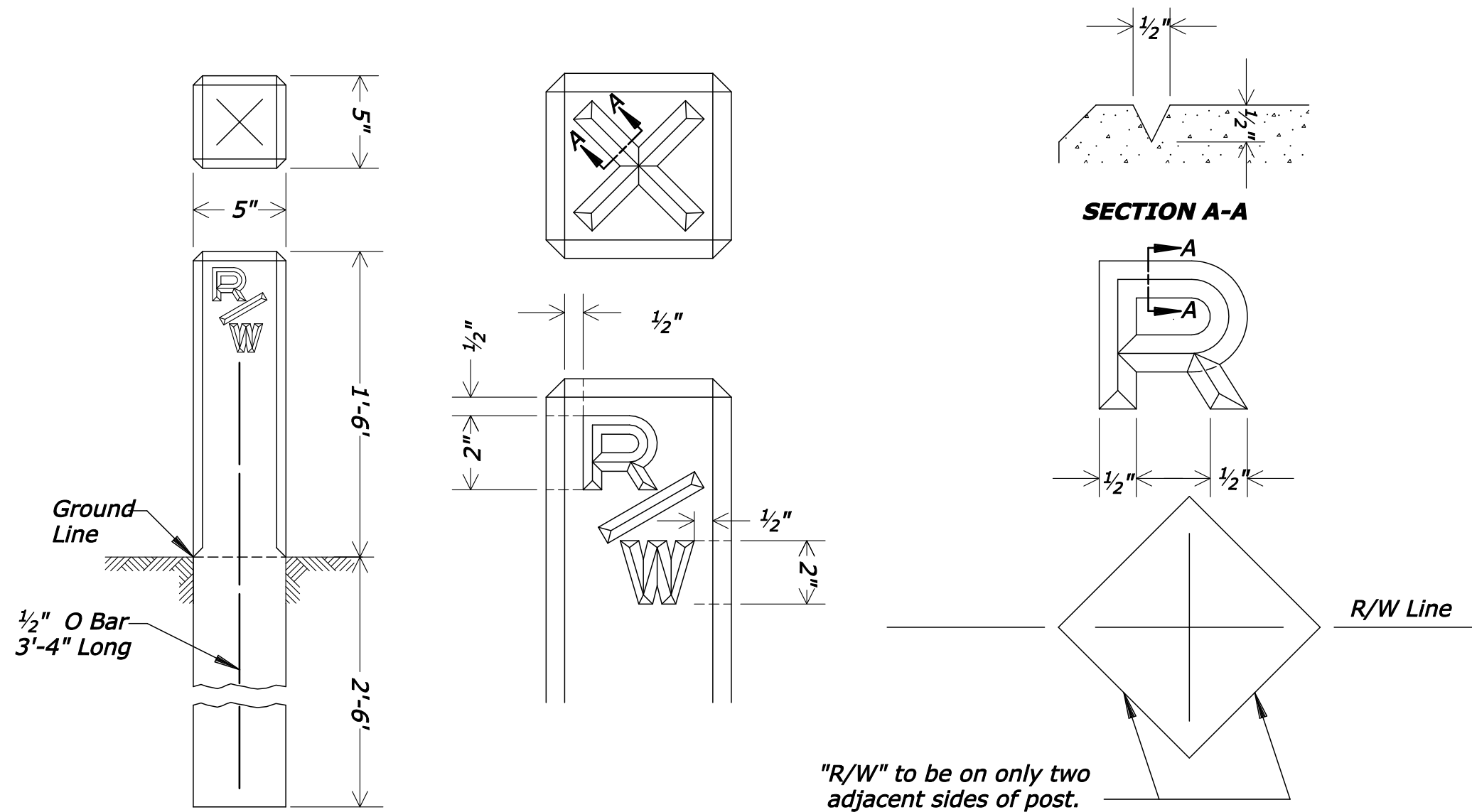


REG	STATE	PROJECT	SHEET NO.
SE	LA	RRP-LOP 10(2)	



**NOTE:** In entrances and yards where the monuments would be unsightly, they may be set with the top flush with the ground.

U.S. DEPARTMENT OF TRANSPORTATION FEDERAL HIGHWAY ADMINISTRATION EASTERN FEDERAL LANDS HIGHWAY DIVISION	
U.S. CUSTOMARY DETAIL	
<b>RIGHT-OF-WAY MARKER</b>	
DETAIL APPROVED FOR USE	DETAIL
REVISED: 1/08	E621-01