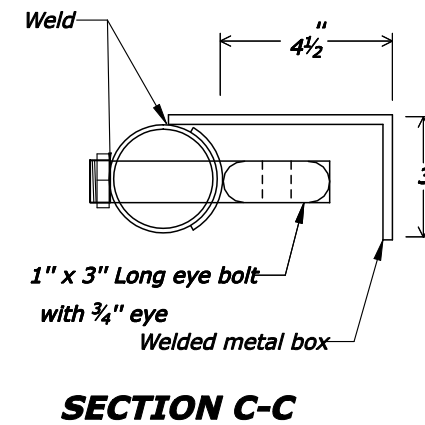
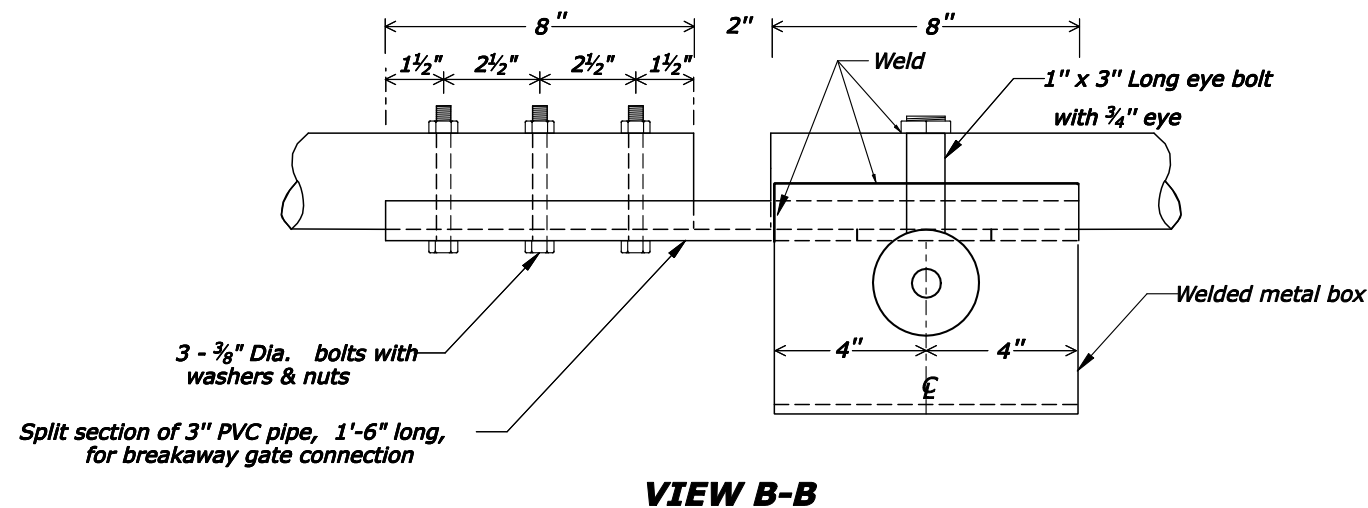
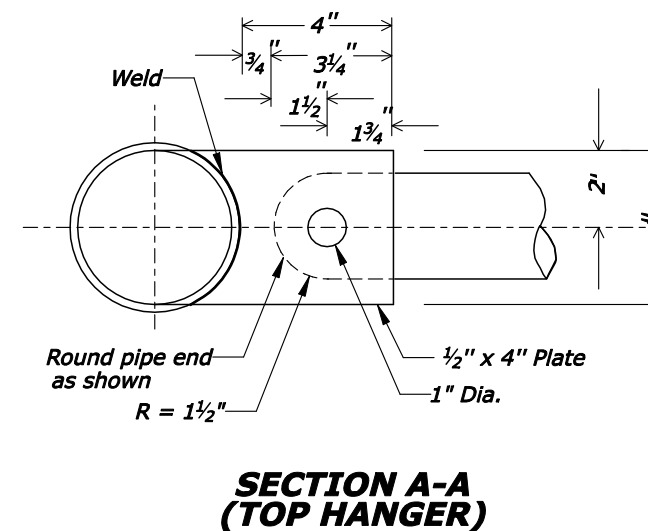
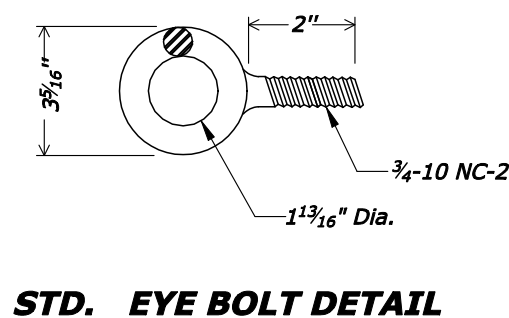
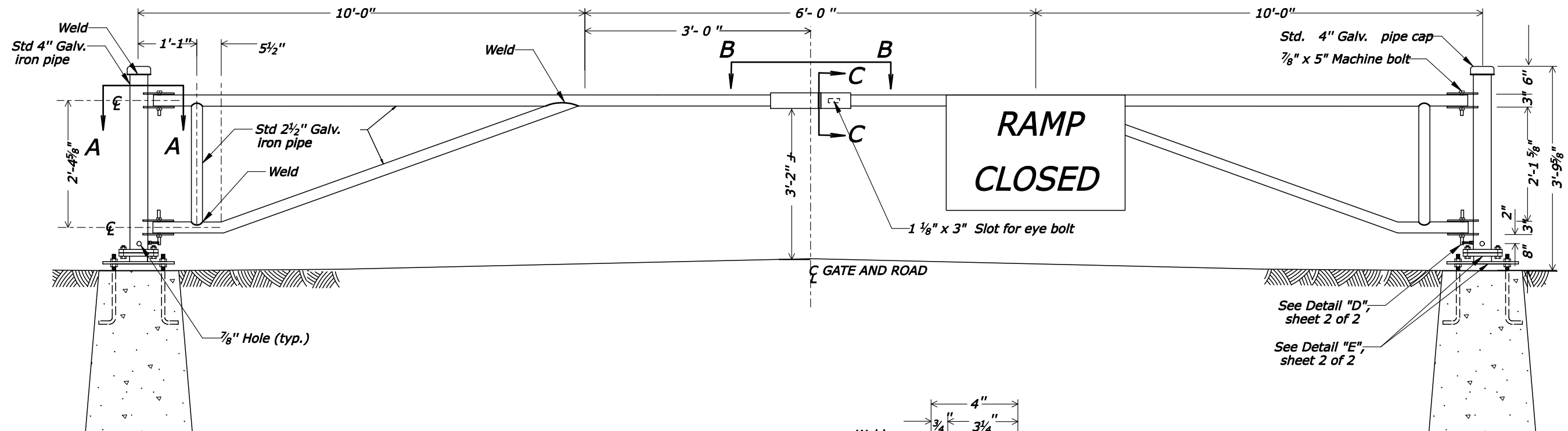


REG	STATE	PROJECT	SHEET NO.
SE	LA	RRP-LOP 10(2)	



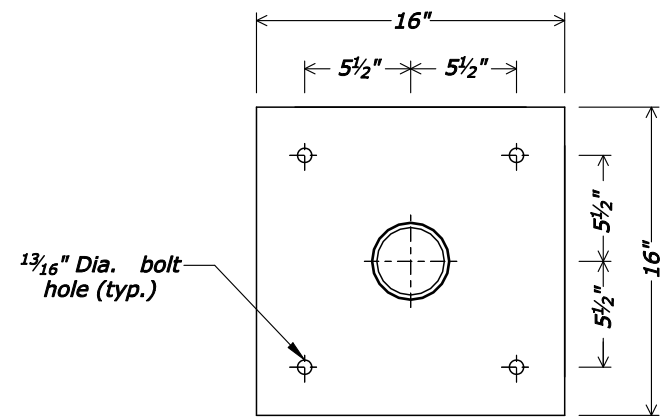
- Notes:**
1. Close the top end of each rest posts with a 4 1/2" dia. x 3/8" thick steel plate, formed to fit and welded in place.
  2. Paint gates and posts, alternating black and reflectorized white 4-inch stripes at 45°, as directed by CO.
  3. Galvanize all metal parts.
  4. Concrete conforms to Section 601.
  5. Mount one "RAMP CLOSED" sign on the gate as shown.
  6. The Contractor may propose alternate designs for the adjustable gate post base, breakaway gate post, or breakaway gate connection. Submit alternate designs to the CO for written approval at least 3 weeks before the applicable work.



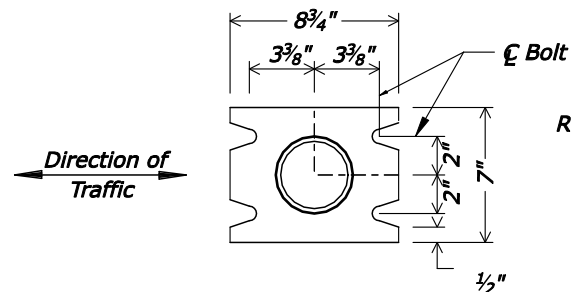
NO SCALE

U.S. DEPARTMENT OF TRANSPORTATION FEDERAL HIGHWAY ADMINISTRATION EASTERN FEDERAL LANDS HIGHWAY DIVISION	
U.S. CUSTOMARY DETAIL	
<b>METAL GATE WITH BREAKAWAY SUPPORTS, 26-FOOT WIDTH</b>	
Sheet 1 of 2	
DETAIL APPROVED FOR USE	DETAIL
REVISED: 8/05 3/08	E619-13

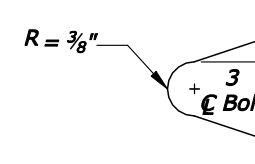
REG	STATE	PROJECT	SHEET NO.
SE	LA	RRP-LOP 10(2)	



**BASE PLATE DETAIL**



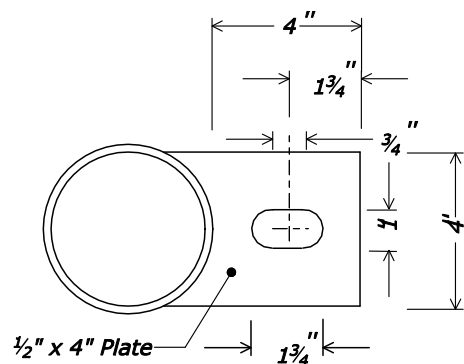
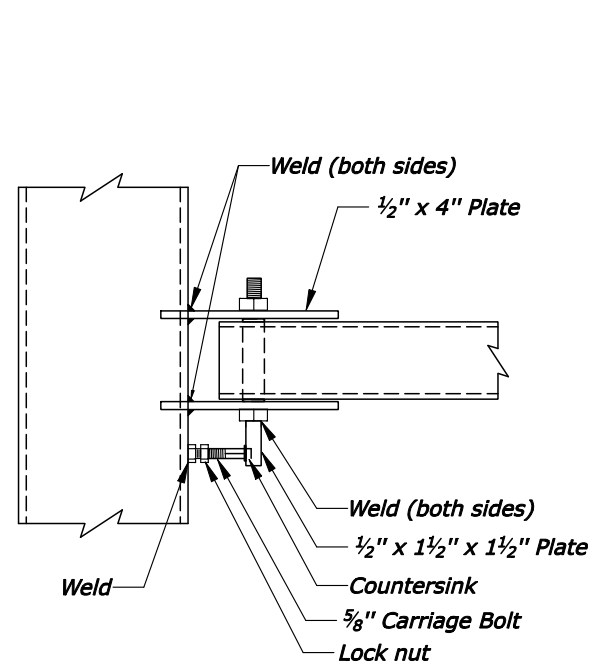
**SLIP BASE PLATE DETAIL**



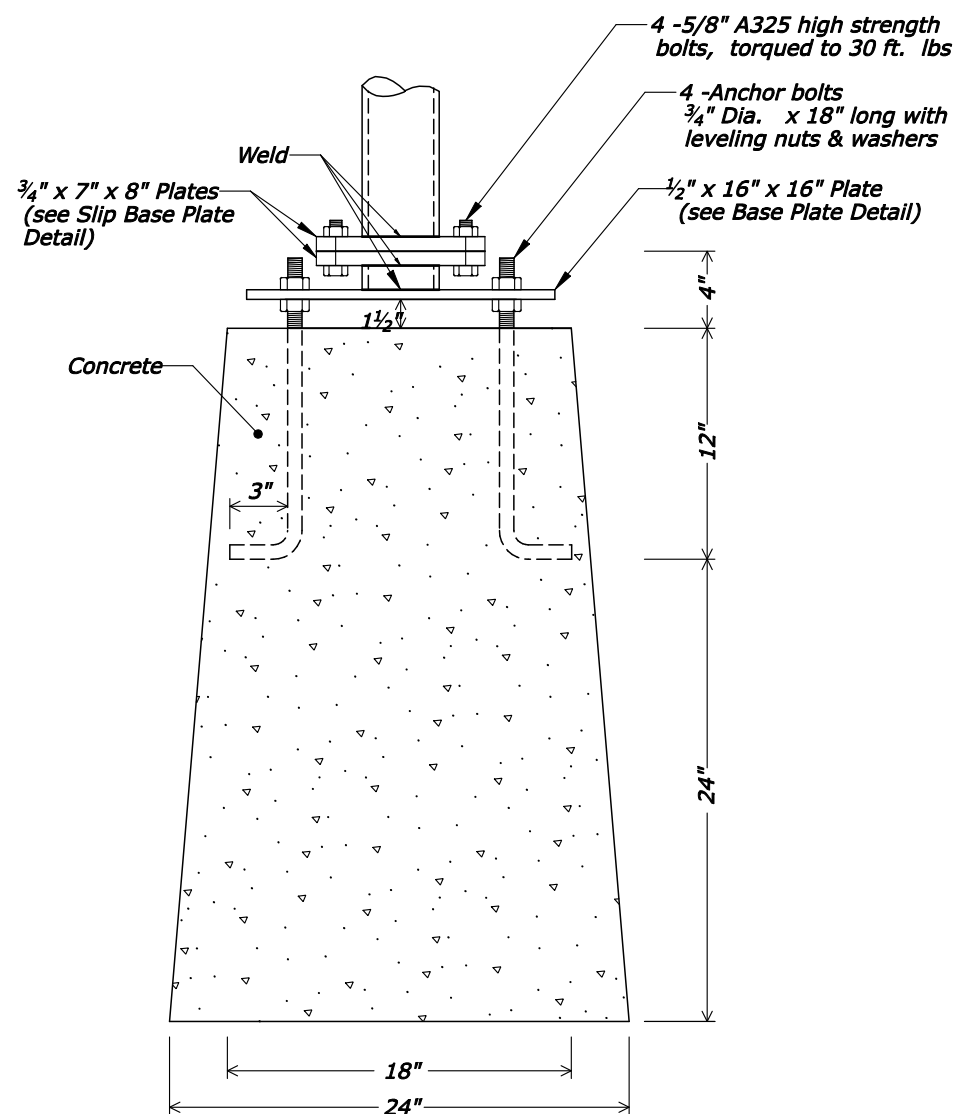
**SLOT DETAIL**

**Notes:**

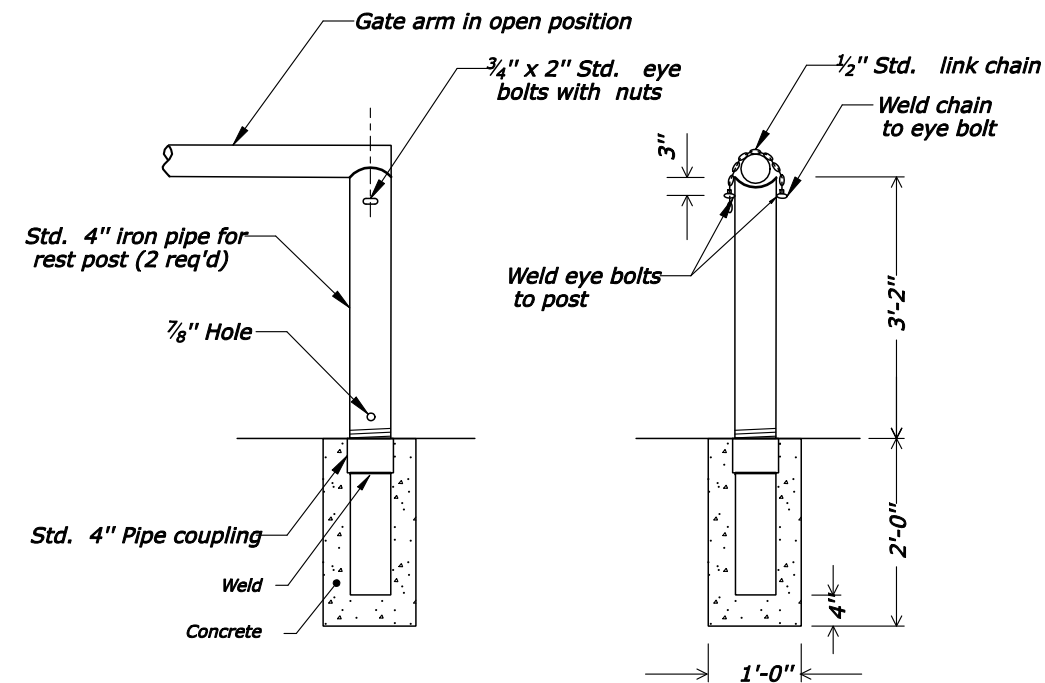
1. Provide washer contact areas for slip bases which are free of burrs, galvanizing runs or beads, or rough edges. Rub washer contact areas with paraffin immediately prior to the installation of slip bases.



**DETAIL "D"  
(BOTTOM HANGER)**



**DETAIL "E"  
ADJUSTABLE BREAKAWAY GATE POST BASE  
AND CONCRETE FOUNDATION**



**REST POST DETAIL**

NO SCALE

4/2/2008 3:17:44 PM Z:\Standard\temp\61913\_detail.dgn

U.S. DEPARTMENT OF TRANSPORTATION FEDERAL HIGHWAY ADMINISTRATION EASTERN FEDERAL LANDS HIGHWAY DIVISION	
U.S. CUSTOMARY DETAIL	
<b>METAL GATE WITH BREAKAWAY SUPPORTS, 26-FOOT WIDTH</b>	
Sheet 2 of 2	
DETAIL APPROVED FOR USE	DETAIL
REVISED: 8/05 3/08	E619-13