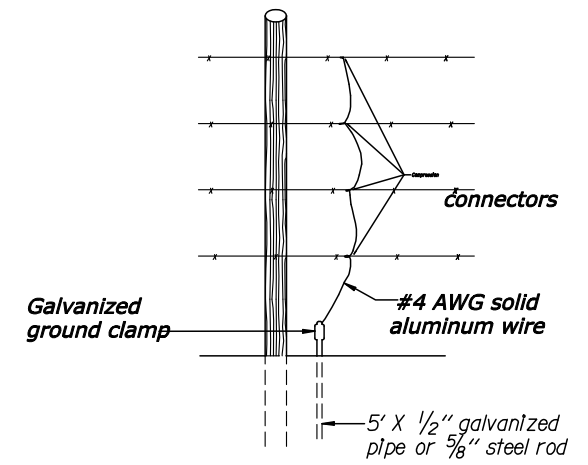
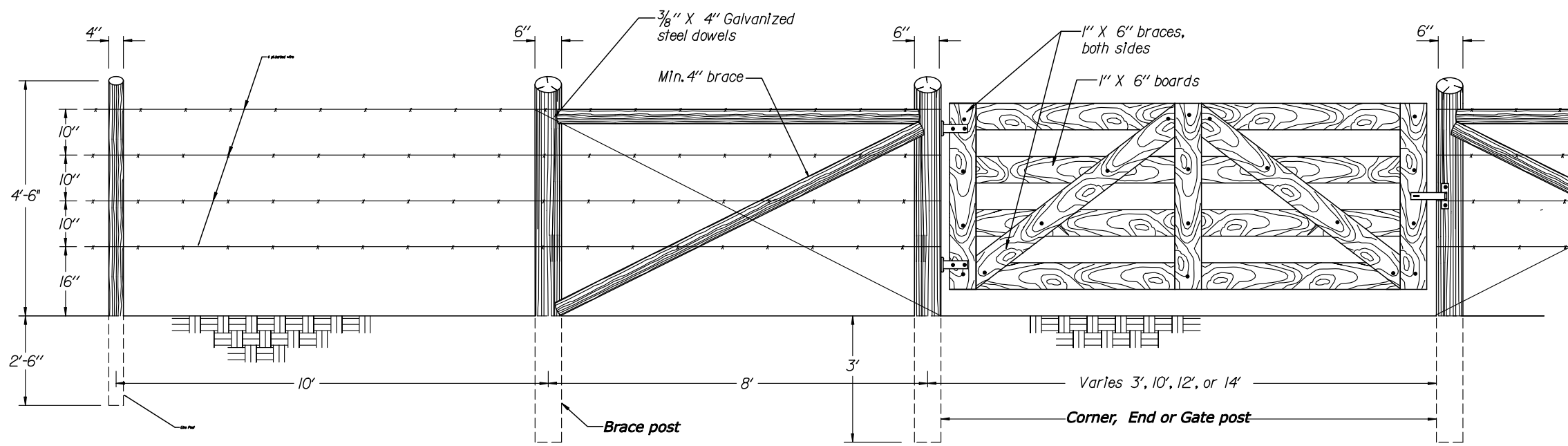
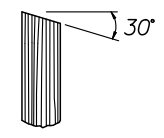


REG	STATE	PROJECT	SHEET NO.
SE	LA	RRP-LOP 10(2)	

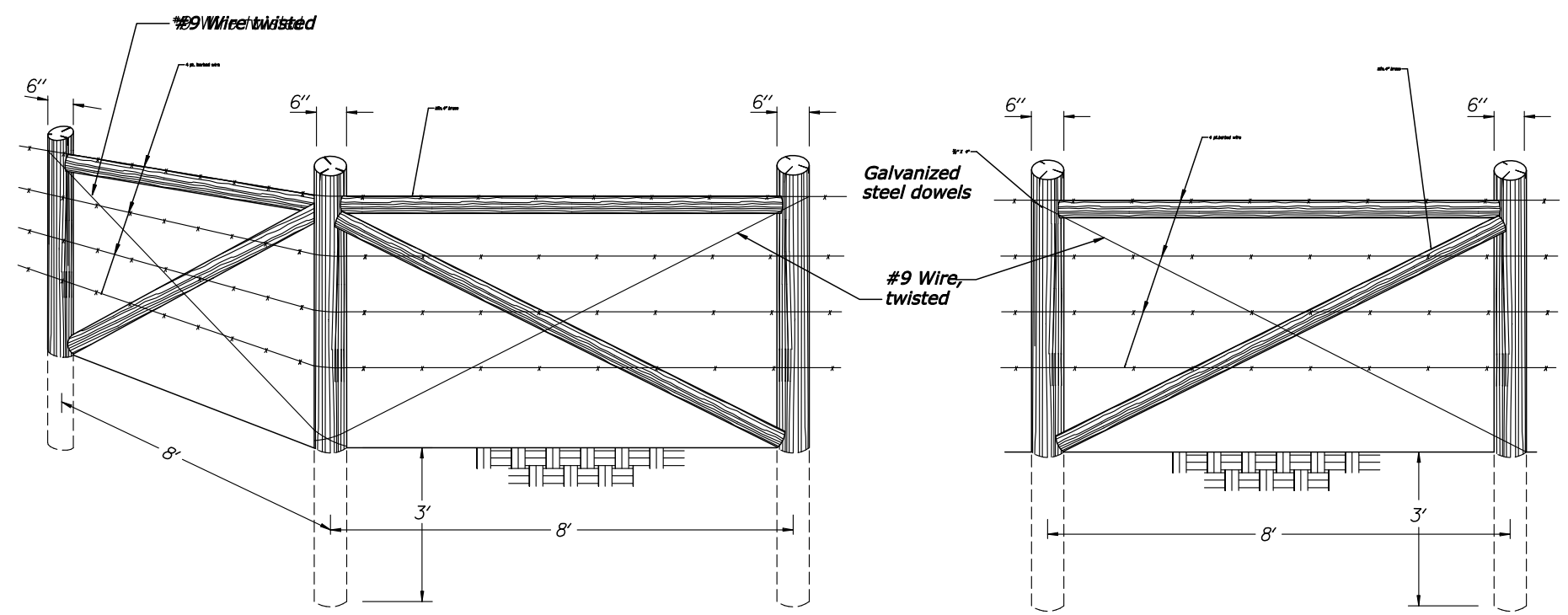


**FENCE GROUNDING  
DETAIL**

**BARBED WIRE FENCE WITH WOOD GATE**



Detail showing method  
of cutting post tops



**CORNER BRACE**  
(To be used when corner angle is 15° or over)

Place diagonal 4" brace in direction of pull.  
Notch posts for the 4" diagonal braces. All diagonal  
4" braces to have 2 galvanized 12d nails at each end.

**LINE BRACE**  
(Maximum spacing 500')  
Line braces also to be used when  
vertical alignment changes 15° or more

**Notes :**

1. Install fence and gates at locations shown on the plans or as staked by the CO.
2. Gate width to be shown on the plans.

Not to Scale

U.S. DEPARTMENT OF TRANSPORTATION FEDERAL HIGHWAY ADMINISTRATION EASTERN FEDERAL LANDS HIGHWAY DIVISION	
U.S. CUSTOMARY DETAIL	
<b>FENCE, BARBED WIRE</b>	
DETAIL APPROVED FOR USE	DETAIL
REVISED: 1/08	E619-02

3/26/2008 1:57:49 PM Z:\Standards\temp\61902\_detail.dgn