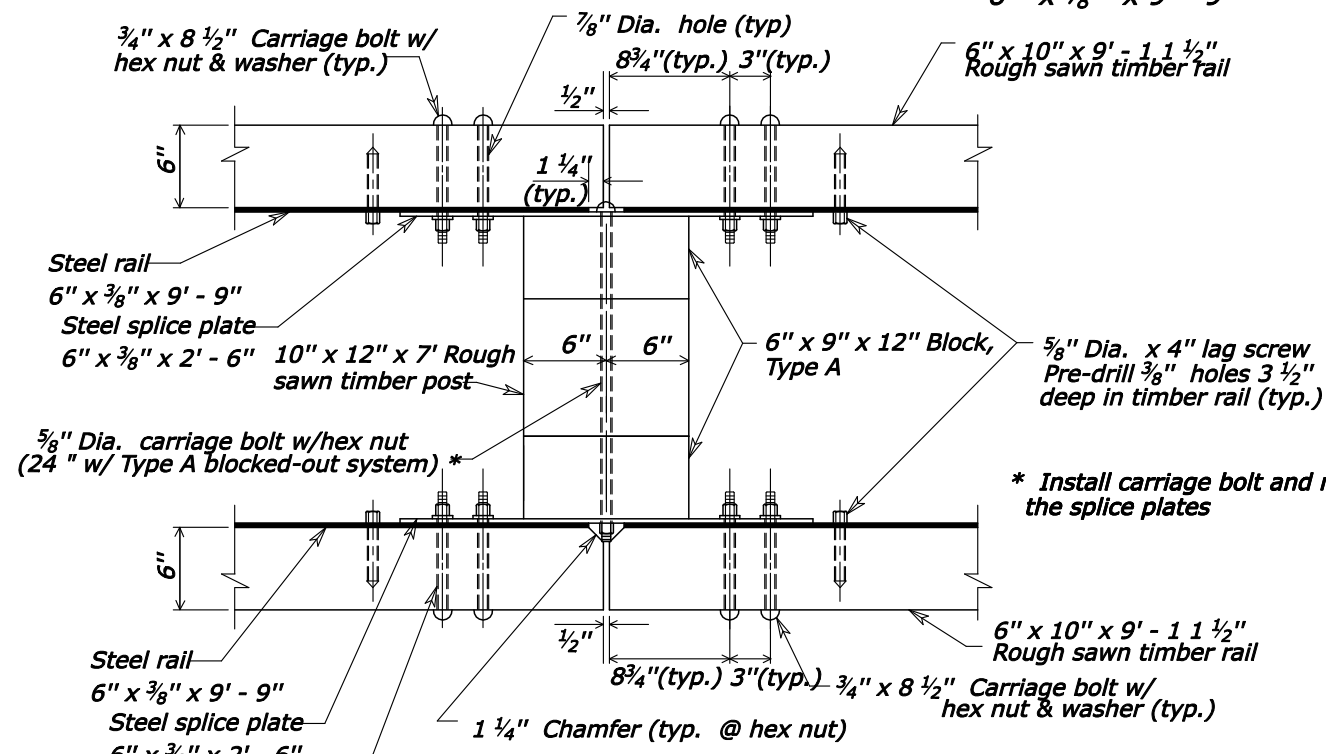


**STEEL RAIL DETAIL**

6" x 3/8" x 9' - 9"

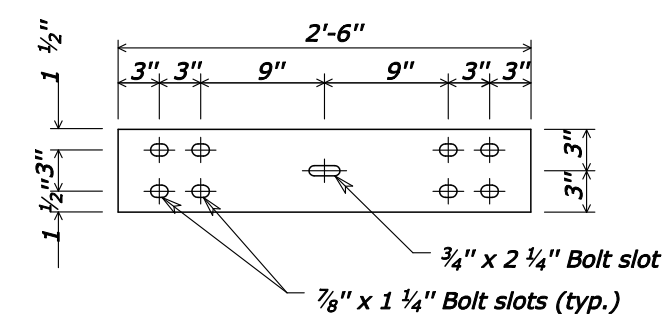
**Notes:**

1. Use the Type A, blocked-out, system for median guardrail.
2. Use weathering steel for all structural steel and fastener hardware as specified.
3. Place a terminal section (See Standards 617-61 and 617-62) on both approach and trailing ends of median barrier installations.
4. Use no more than 3 short guardrail posts in a row.
5. In areas where the rail face is offset a minimum of 20-feet from the edge of travel lane, a maximum approach shoulder slope of 6:1 may be used.



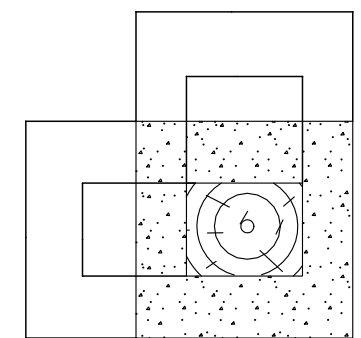
**POST CONNECTION PLAN**

\* Install carriage bolt and nut through the splice plates



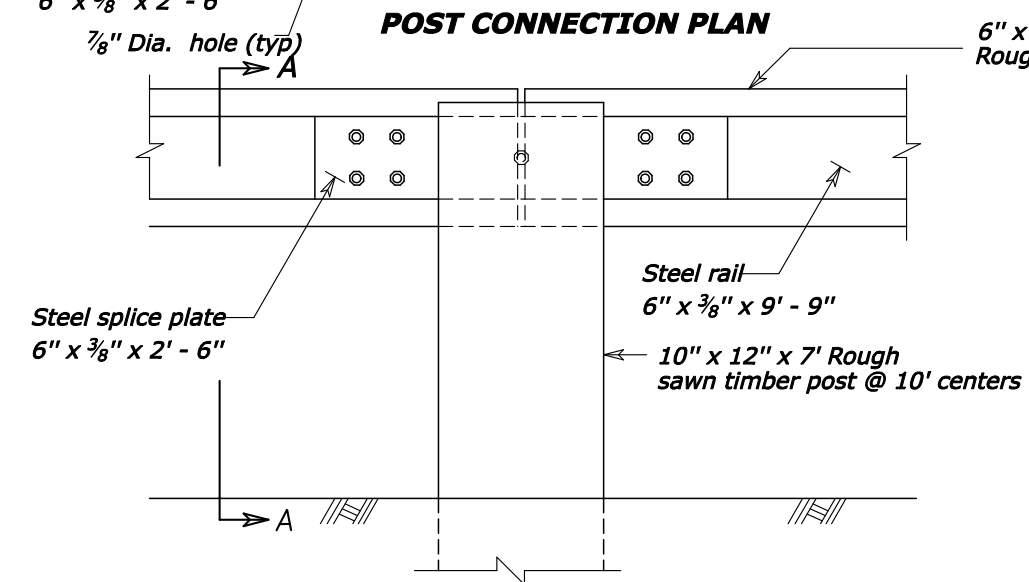
**STEEL SPLICE PLATE DETAIL**

6" x 3/8" x 2'-6"

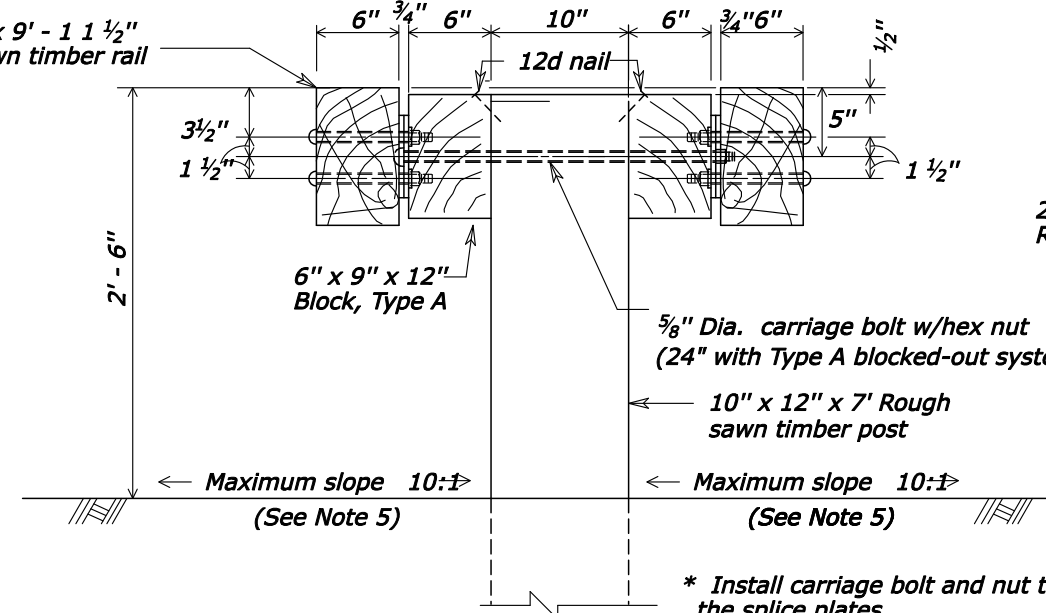


25" dia. round anchor is an acceptable alternative. Reduced size acceptable in solid rock. (See Note 4)

**CONCRETE ANCHOR FOR SHORT GUARDRAIL ASSEMBLY**

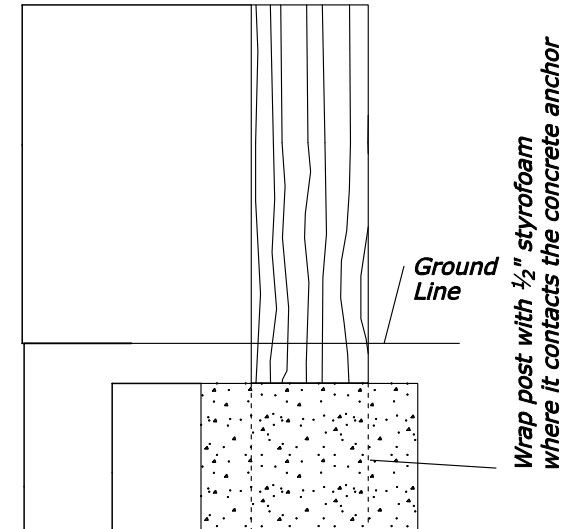


**POST CONNECTION ELEVATION (Viewing Back of Rail)**



**SECTION A-A**

No Scale



Wrap post with 1/2" styrofoam where it contacts the concrete anchor

U.S. DEPARTMENT OF TRANSPORTATION  
FEDERAL HIGHWAY ADMINISTRATION  
EASTERN FEDERAL LANDS HIGHWAY DIVISION

U.S. CUSTOMARY DETAIL

**MEDIAN STEEL-BACKED  
TIMBER GUARDRAIL  
TYPE A**

DETAIL APPROVED FOR USE	DETAIL
REVISED: 3/08	E617-70