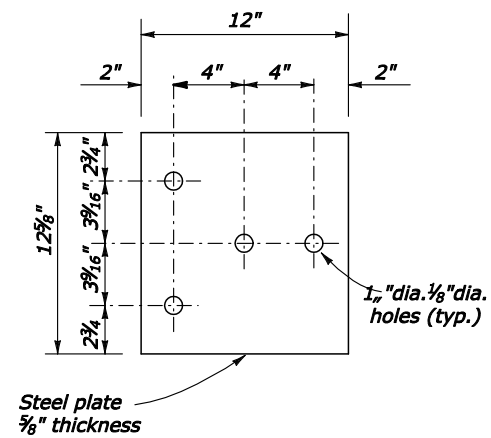
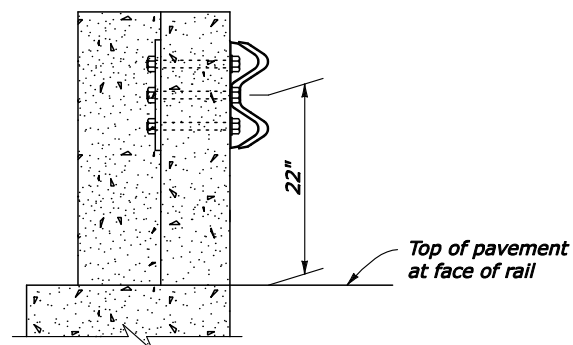


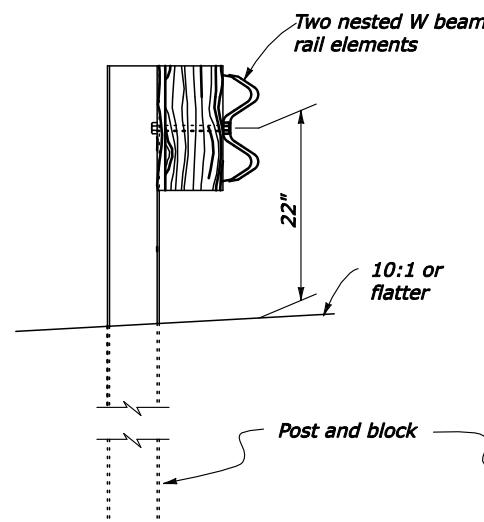
| REG | STATE | PROJECT       | SHEET NO. |
|-----|-------|---------------|-----------|
| SE  | LA    | RRP-LOP 10(2) |           |



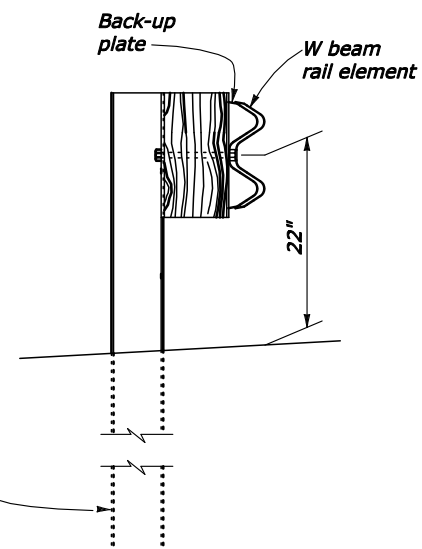
**BEARING PLATE**



**SECTION A-A**



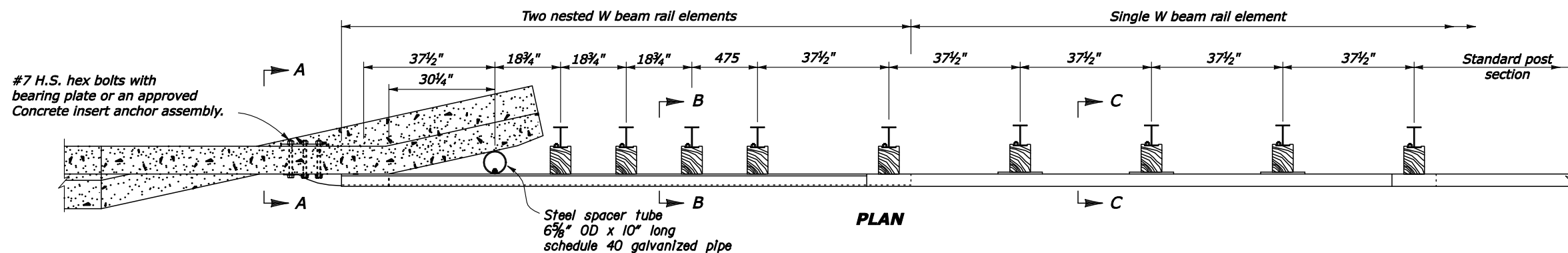
**SECTION B-B**



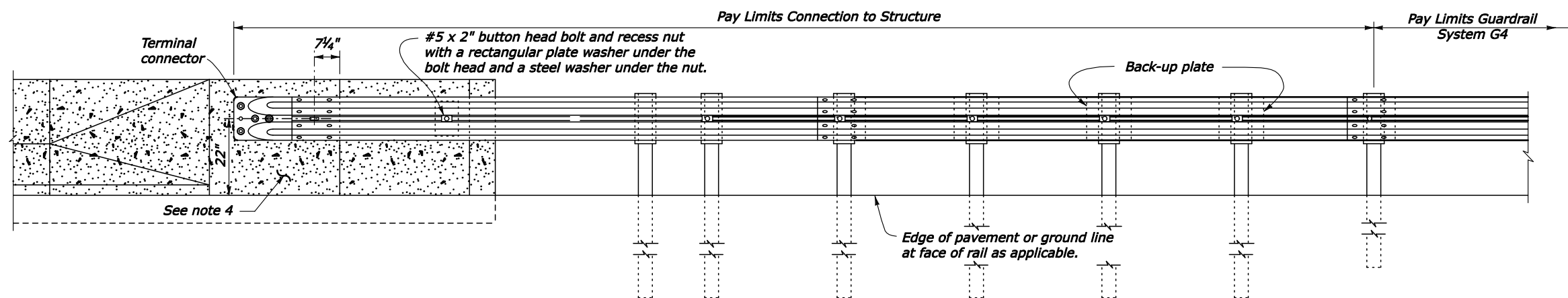
**SECTION C-C**

**NOTES:**

1. Reinforced concrete wall or bridge parapet must be capable of developing a 59.6 kips pull out strength.
2. Connect steel spacer tube to rail element only.
3. Where reinforced concrete flare back transition section is required, See Standard 617-32 or plan sheets, as appropriate, for details.



**PLAN**



**ELEVATION**

NO SCALE

U.S. DEPARTMENT OF TRANSPORTATION  
FEDERAL HIGHWAY ADMINISTRATION  
EASTERN FEDERAL LANDS HIGHWAY DIVISION

U.S. CUSTOMARY DETAIL  
**G4 W BEAM GUARDRAIL  
CONNECTION TO STRUCTURE  
VERTICAL FLARED BACK STEEL POSTS**

DETAIL APPROVED FOR USE  
REVISED: 3/08

DETAIL  
E617-31