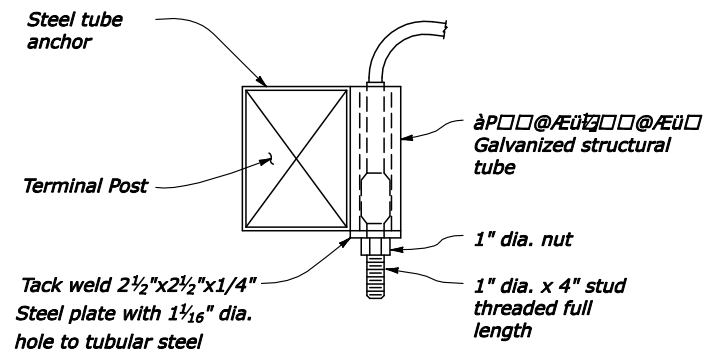
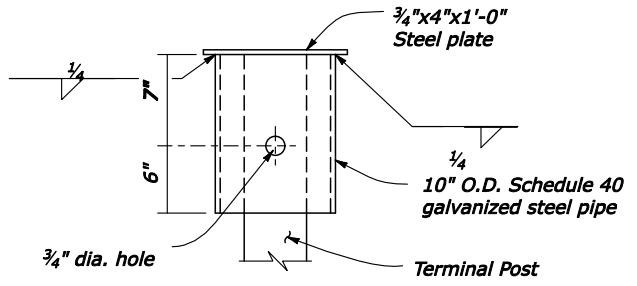


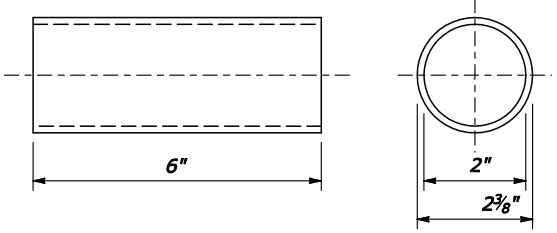
REG	STATE	PROJECT	SHEET NO.
SE	LA	RRP-LOP 10(2)	



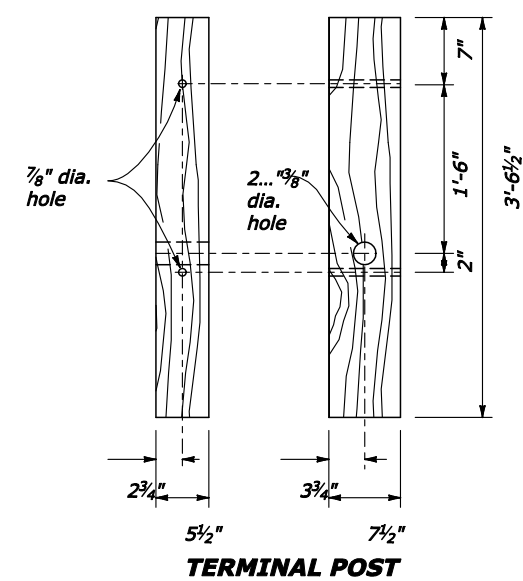
**DETAIL 'A'**



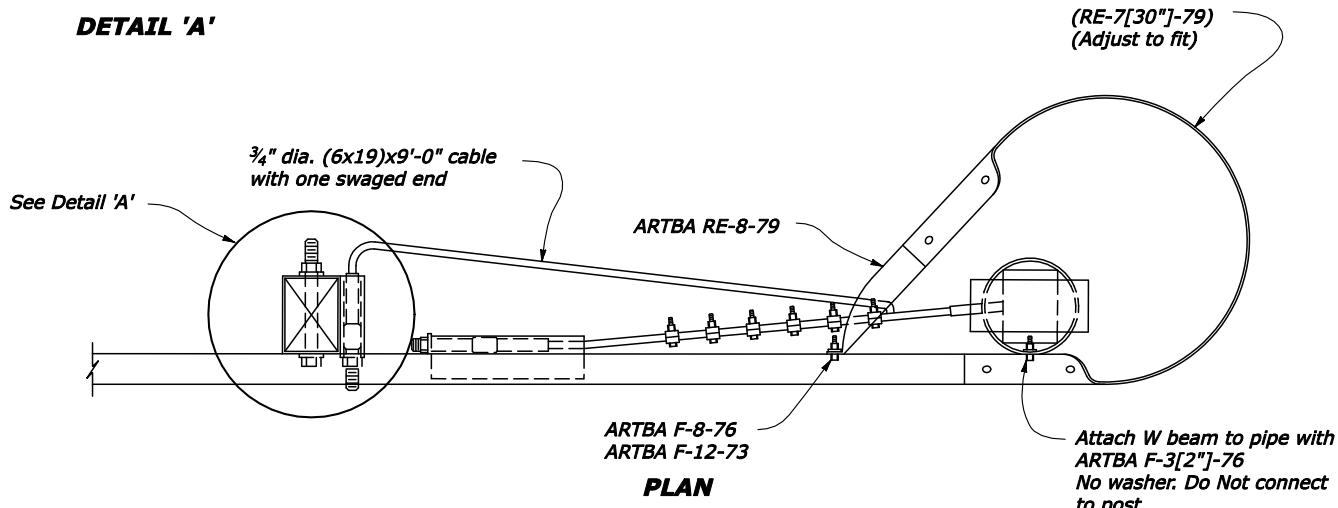
**DETAIL 'B'**



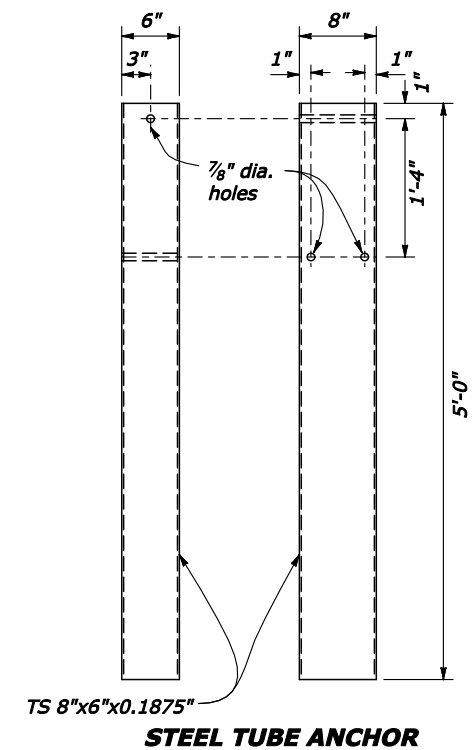
**BREAKAWAY TERMINAL POST SLEEVE  
ARTBA F-34-76**



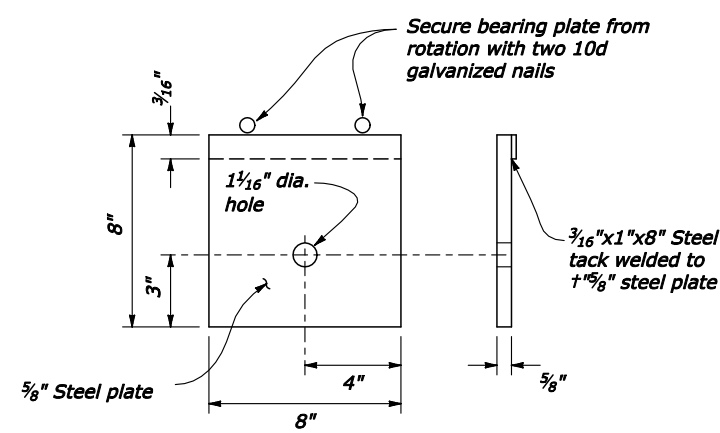
**TERMINAL POST**



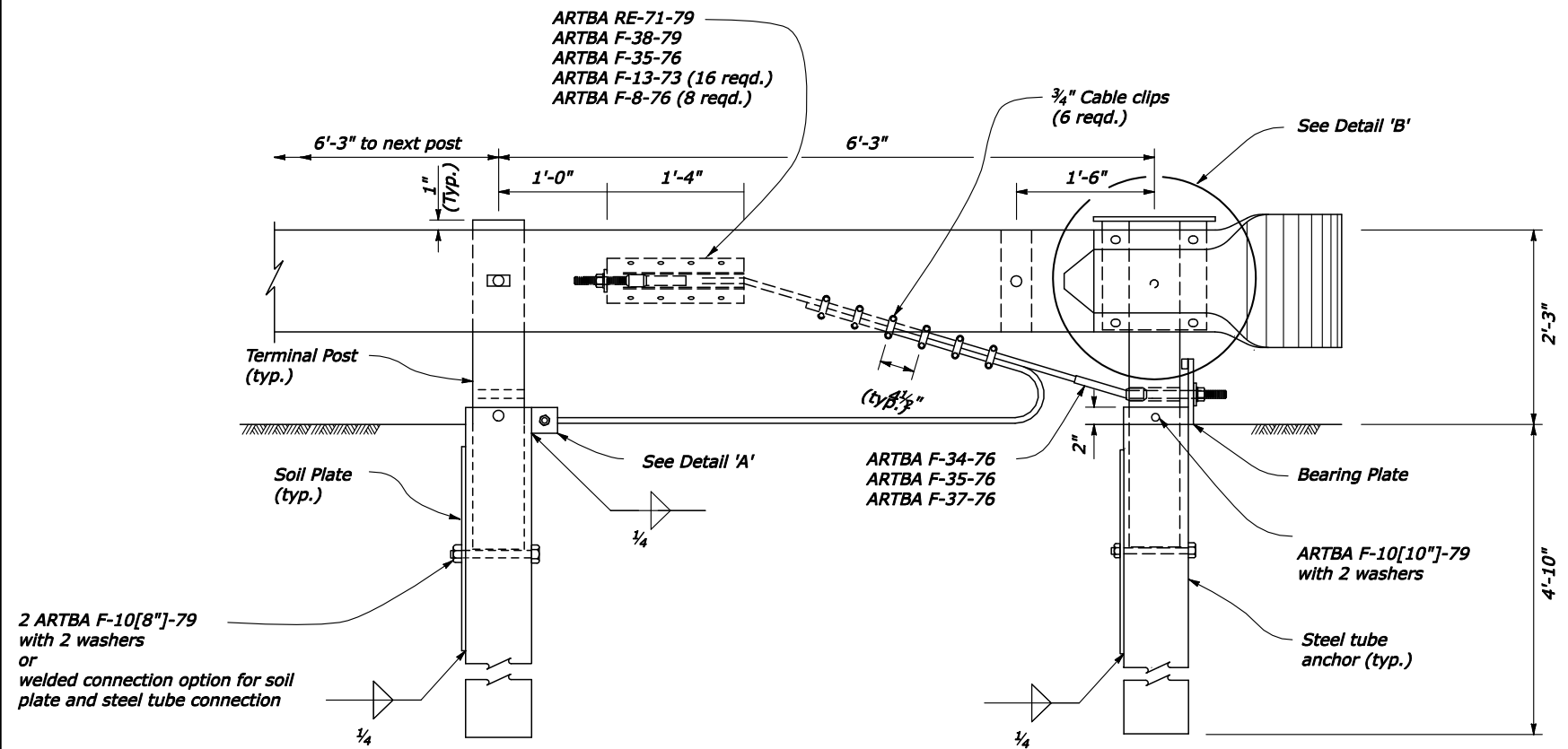
**PLAN**



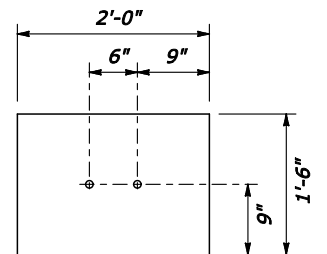
**STEEL TUBE ANCHOR**



**BEARING PLATE**



**ELEVATION**



**SOIL PLATE (2 Reqd.)**

NO SCALE

U.S. DEPARTMENT OF TRANSPORTATION  
FEDERAL HIGHWAY ADMINISTRATION  
EASTERN FEDERAL LANDS HIGHWAY DIVISION

U.S. CUSTOMARY DETAIL

**CRT W BEAM GUARDRAIL  
STEEL TUBE ANCHOR  
CRT ANCHORAGE ASSEMBLY  
CRT POSTS**

DETAIL APPROVED FOR USE  
REVISED: 03/07

DETAIL  
E617-22

4:34:09 PM M:\Standard\FE\FHD\_Detail\Drawings\61722\_detail.dgn 9/21/2007