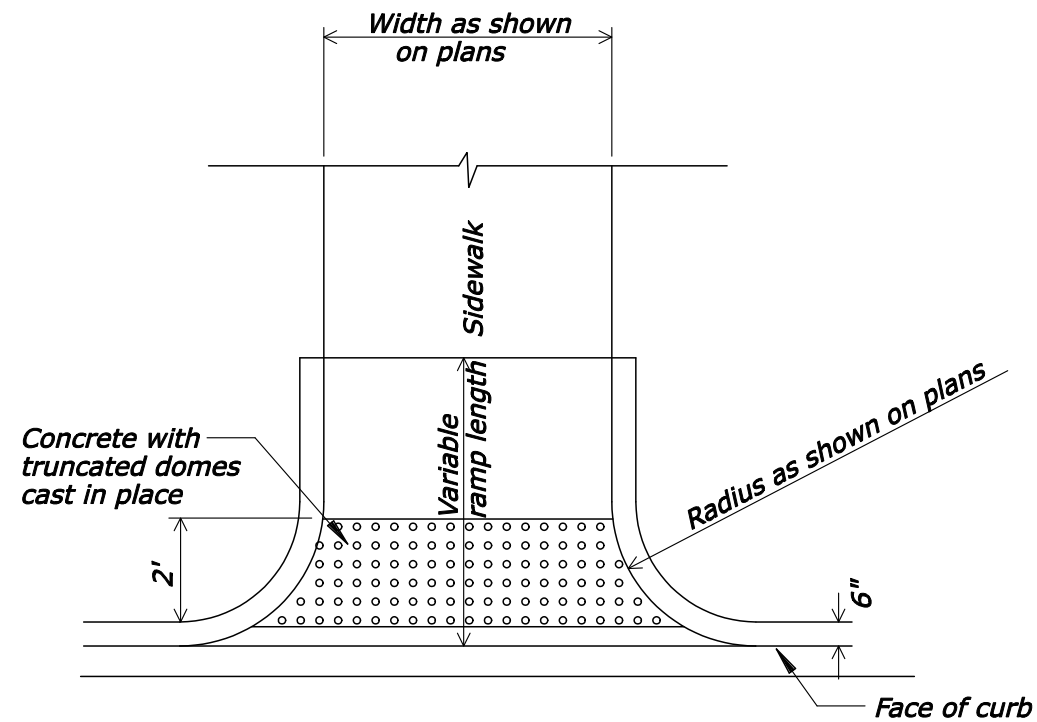
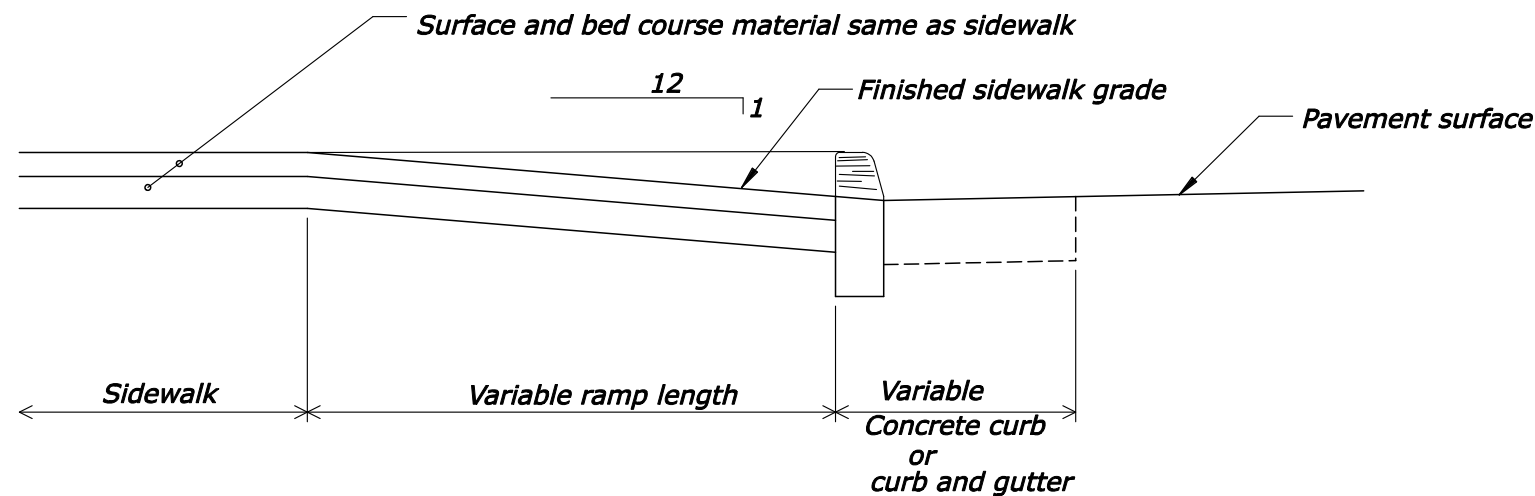


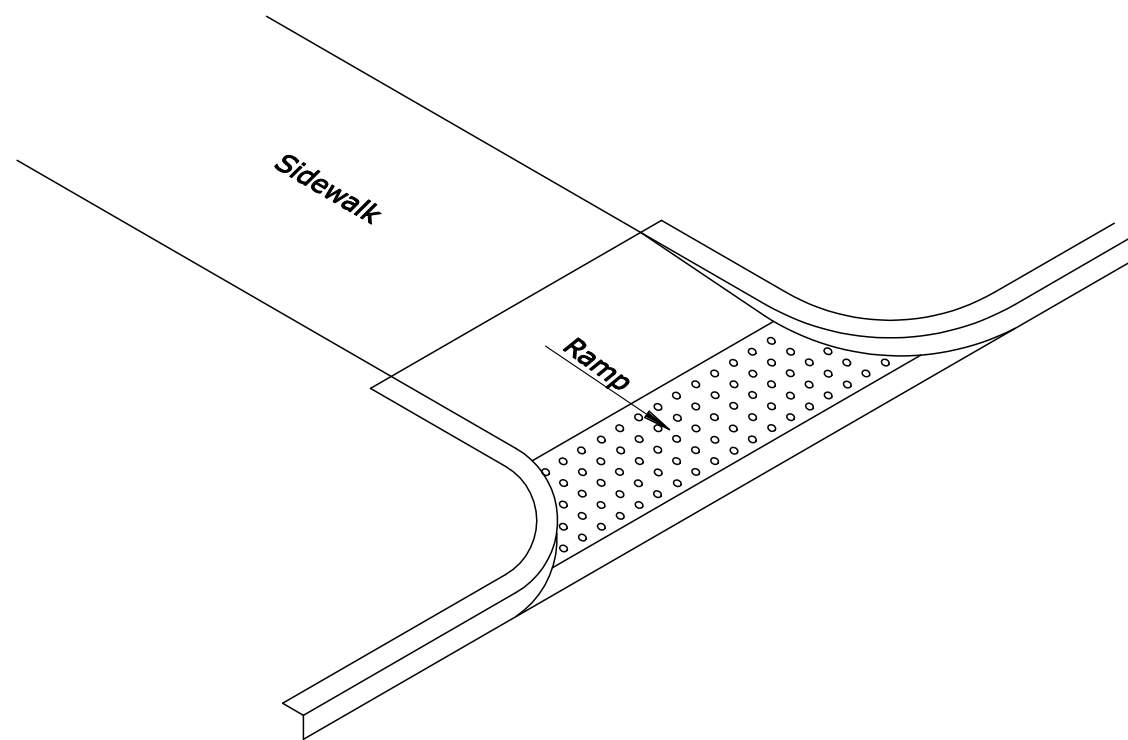
REG	STATE	PROJECT	SHEET NO.
SE	LA	RRP-LOP 10(2)	



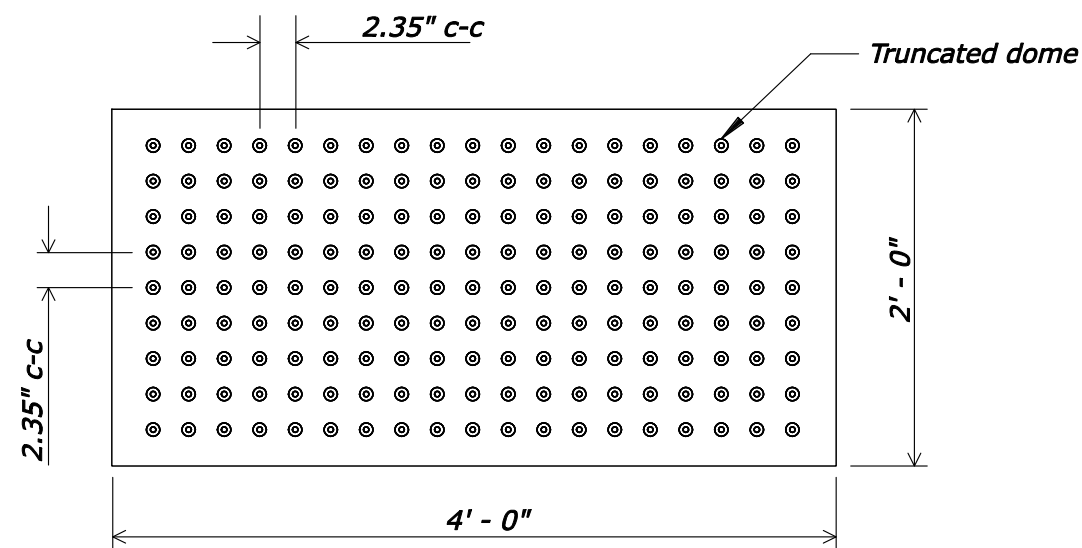
RAMP - PLAN



RAMP - TYPICAL SECTION

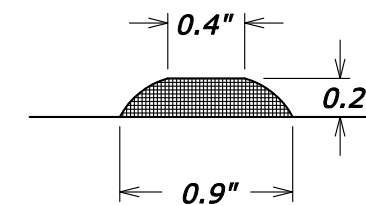


RAMP - ISOMETRIC



PLAN

DETECTABLE WARNING SURFACE



SECTION TRUNCATED DOME

NO SCALE

U.S. DEPARTMENT OF TRANSPORTATION FEDERAL HIGHWAY ADMINISTRATION EASTERN FEDERAL LANDS HIGHWAY DIVISION	
U.S. CUSTOMARY DETAIL	
WHEEL CHAIR RAMP CURB RETURN	
DETAIL APPROVED FOR USE 02/2007	DETAIL
REVISED: 04/07	E615-05