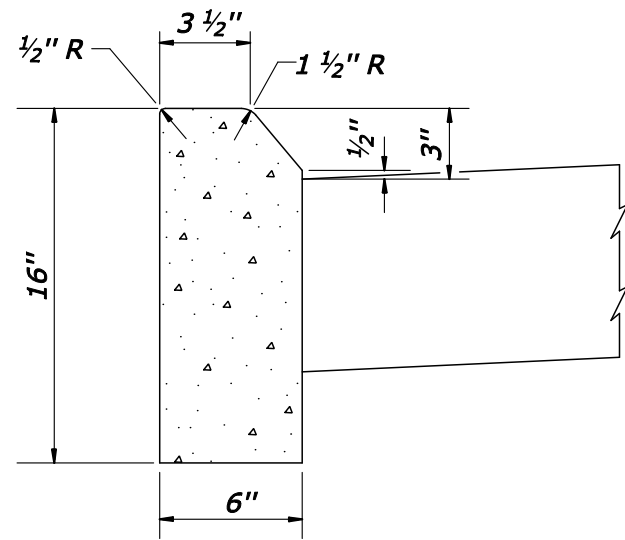


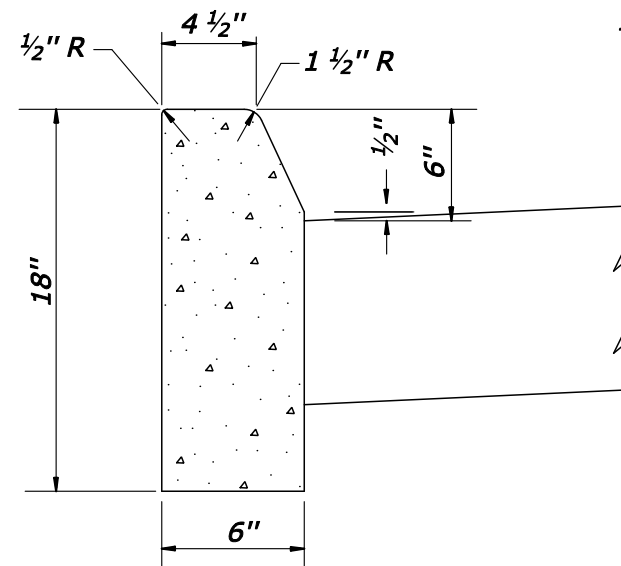
REG	STATE	PROJECT	SHEET NO.
SE	LA	RRP-LOP 10(2)	

Note:

1. Place 3-inches, minimum aggregate bed course under all curb and gutter.

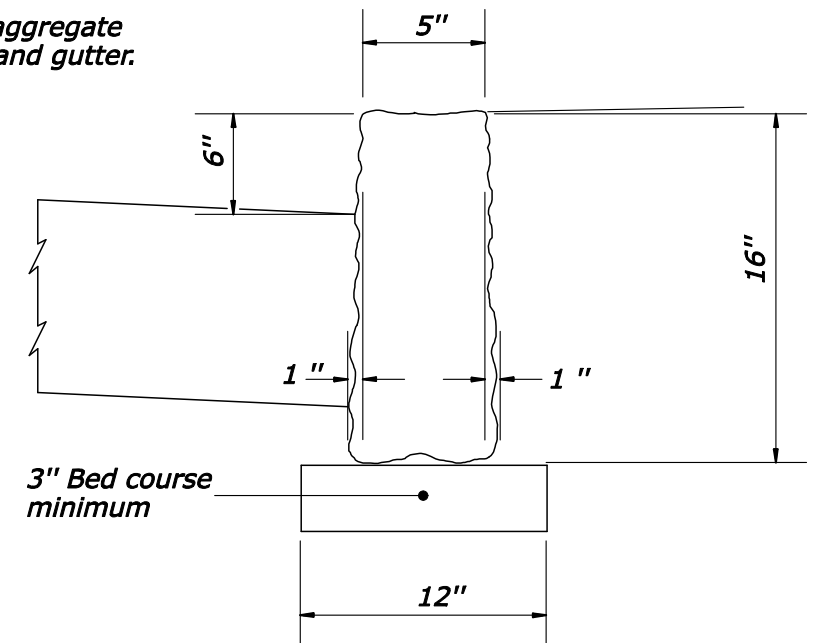


16-INCH DEPTH
(MOUNTABLE)



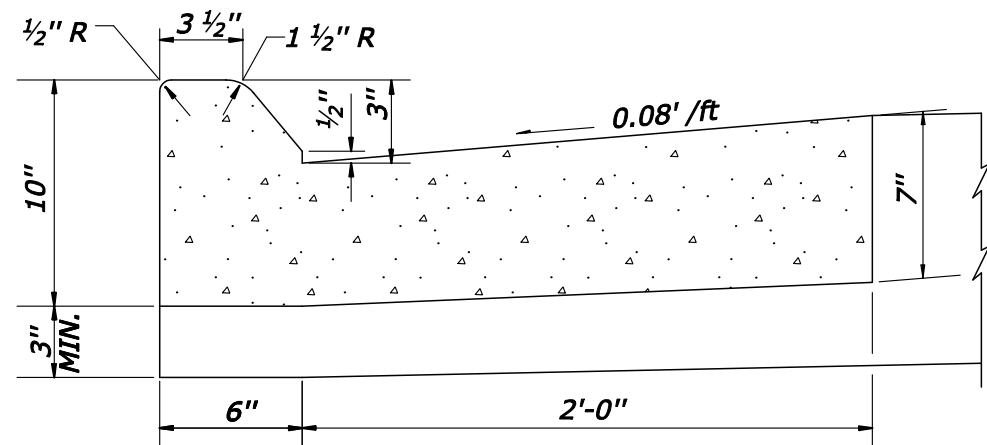
18-INCH DEPTH
(NON-MOUNTABLE)

PORTLAND CEMENT CONCRETE CURB

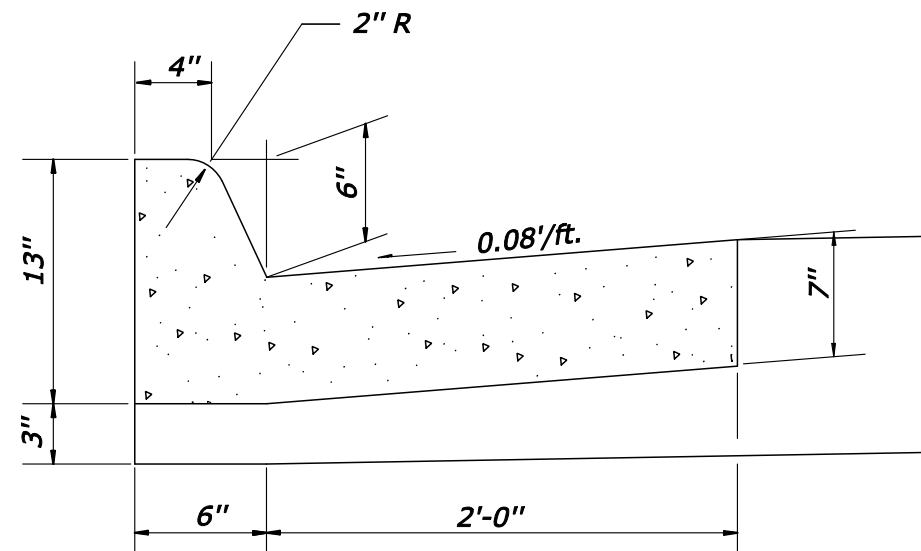


STONE CURB

16-INCH DEPTH
(NON-MOUNTABLE)

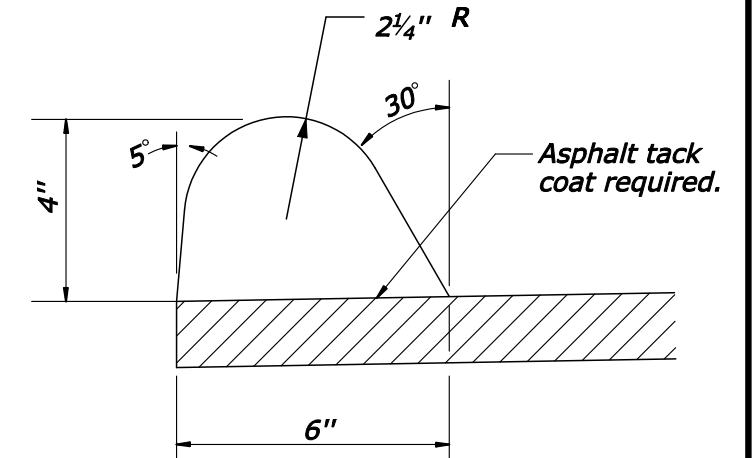


10-INCH DEPTH
(MOUNTABLE)



13-INCH DEPTH
(NON-MOUNTABLE)

PORTLAND CEMENT CONCRETE CURB AND GUTTER



ASPHALT CONCRETE CURB

4-INCH DEPTH
(NON-MOUNTABLE)

Asphalt tack coat may be rapid curing liquid asphalt or emulsified asphalt.

NO SCALE

U.S. DEPARTMENT OF TRANSPORTATION FEDERAL HIGHWAY ADMINISTRATION EASTERN FEDERAL LANDS HIGHWAY DIVISION	
U.S. CUSTOMARY DETAIL	
CURBS	
DETAIL APPROVED FOR USE	DETAIL
REVISED: 03/08	E609-01