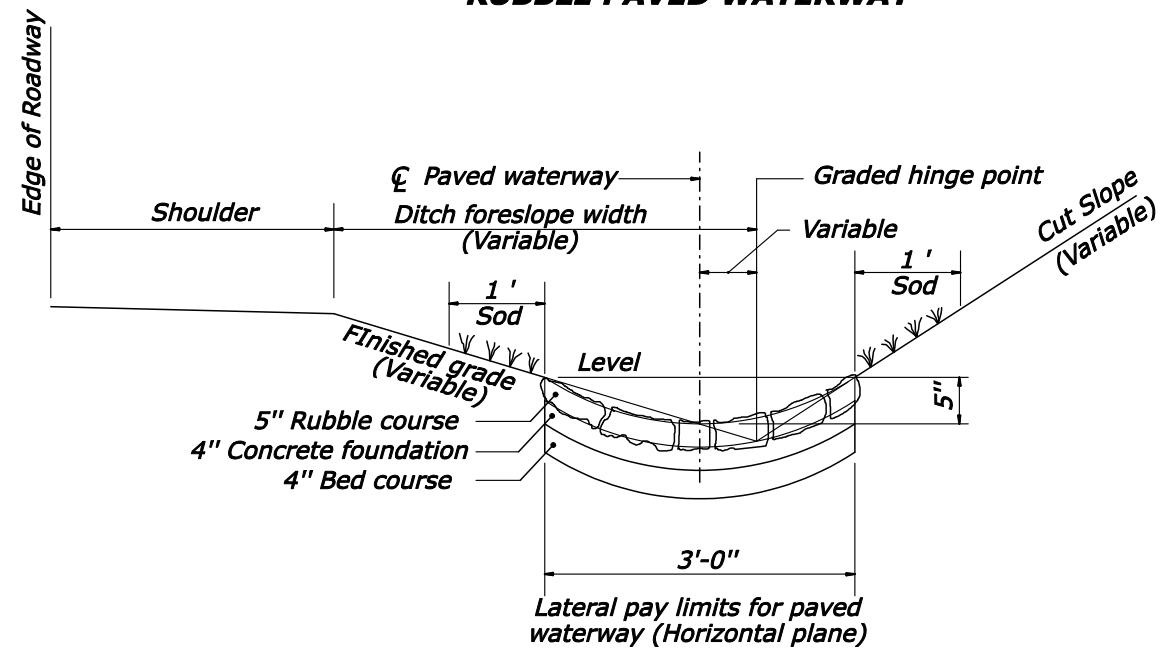


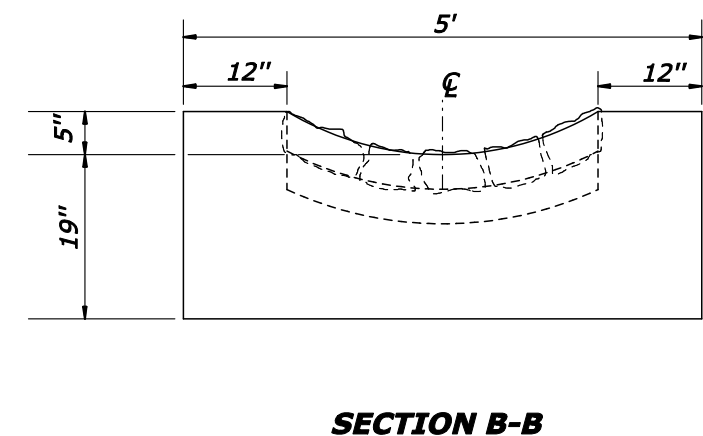
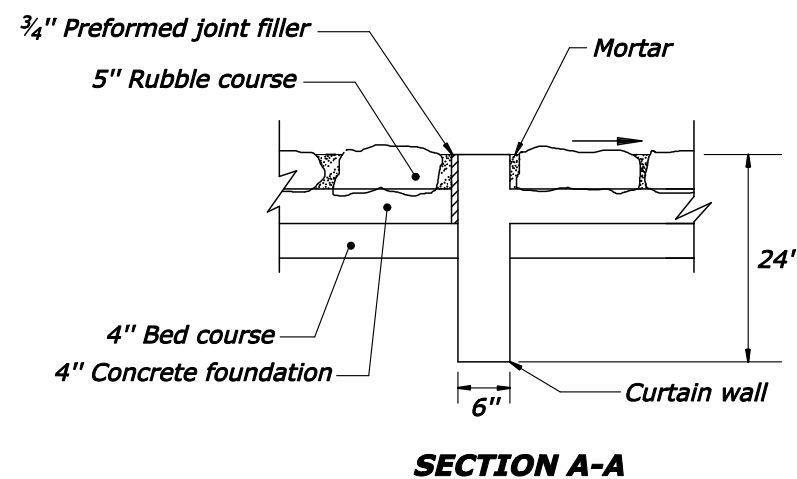
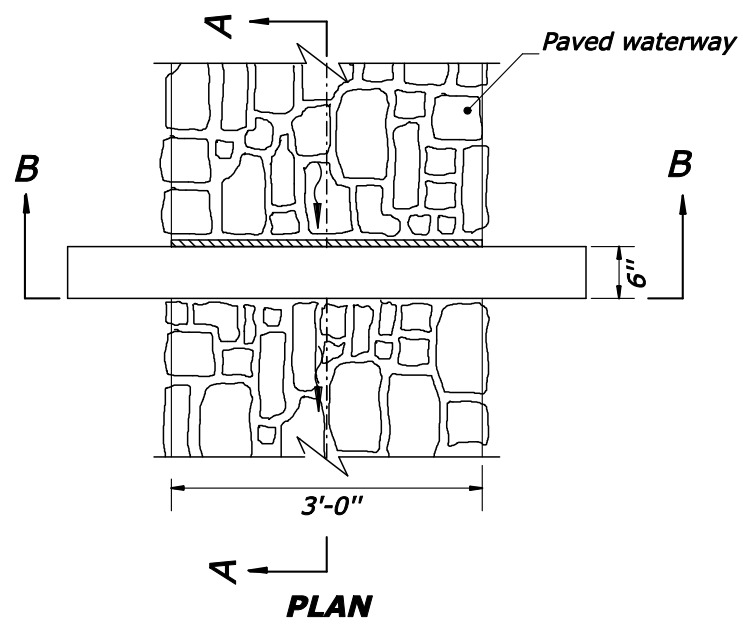
REG	STATE	PROJECT	SHEET NO.
SE	LA	RRP-LOP 10(2)	

RUBBLE PAVED WATERWAY



NOTES:

1. The approximate shape of the paved waterway is an arc with a radius of 2.9 feet.
2. At inlets and other special locations, widen and shape paved waterway to drain.
3. For concrete and rubble paved waterway construction only:
 - A. Construct in uniform sections 20 feet in length, except closure sections are not to be less than 5 feet in length. Place expansion joints, with curtain walls at 100 foot intervals.
 - B. At the outlet end of each waterway construct a curtain wall on the downstream end of the last section of waterway.



4:44:02 PM Z:\Standard\temp\60803_detail.dgn 3/25/2008

NO SCALE

U.S. DEPARTMENT OF TRANSPORTATION FEDERAL HIGHWAY ADMINISTRATION EASTERN FEDERAL LANDS HIGHWAY DIVISION	
U.S. CUSTOMARY DETAIL	
CONCRETE AND RUBBLE PAVED WATERWAYS	
DETAIL APPROVED FOR USE	DETAIL
REVISED: 3/08	E608-03