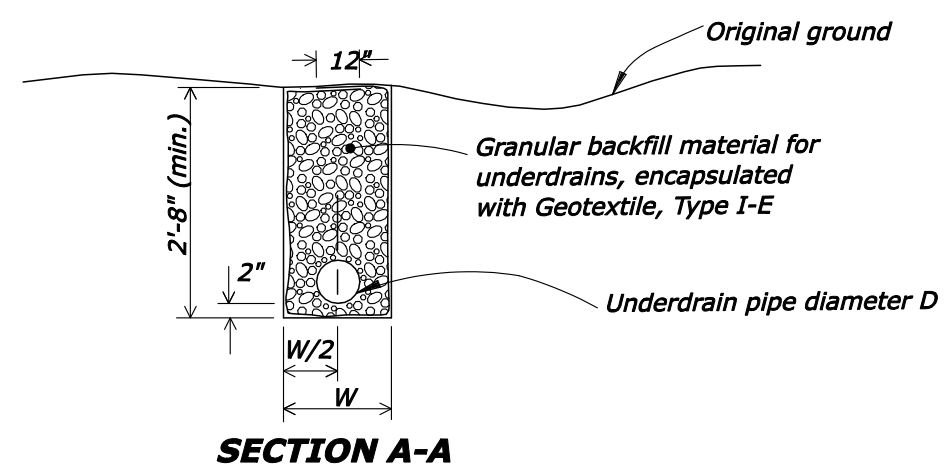
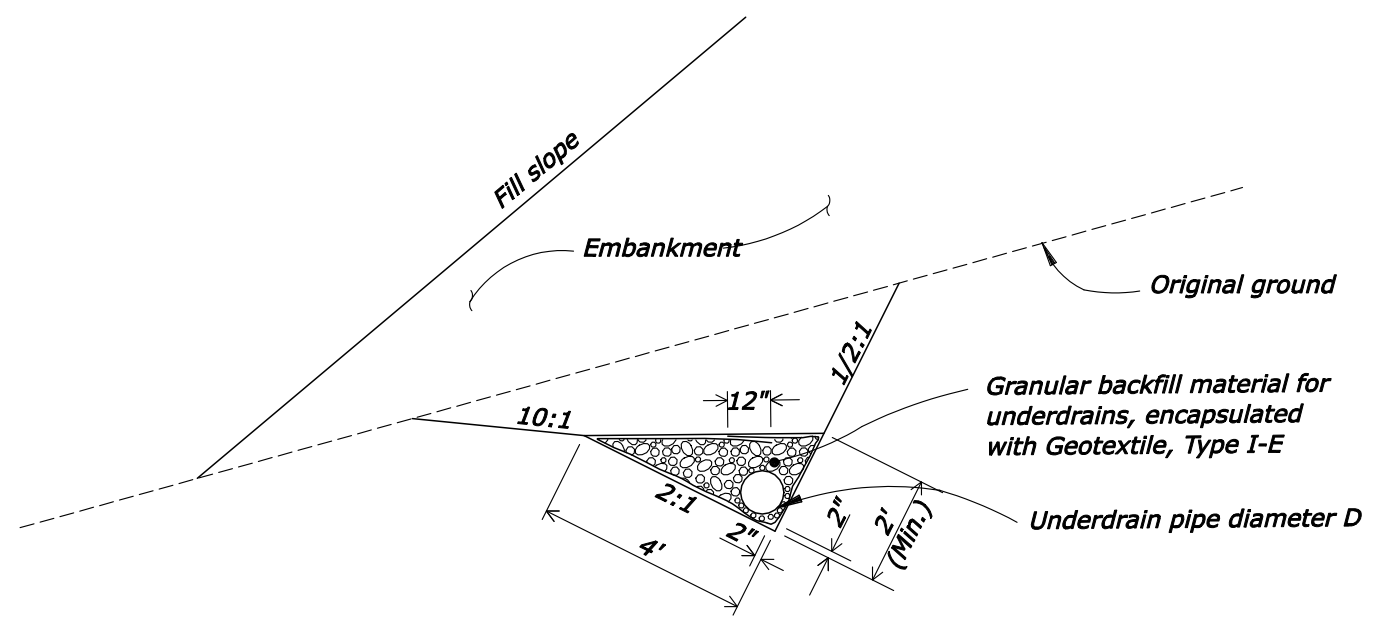
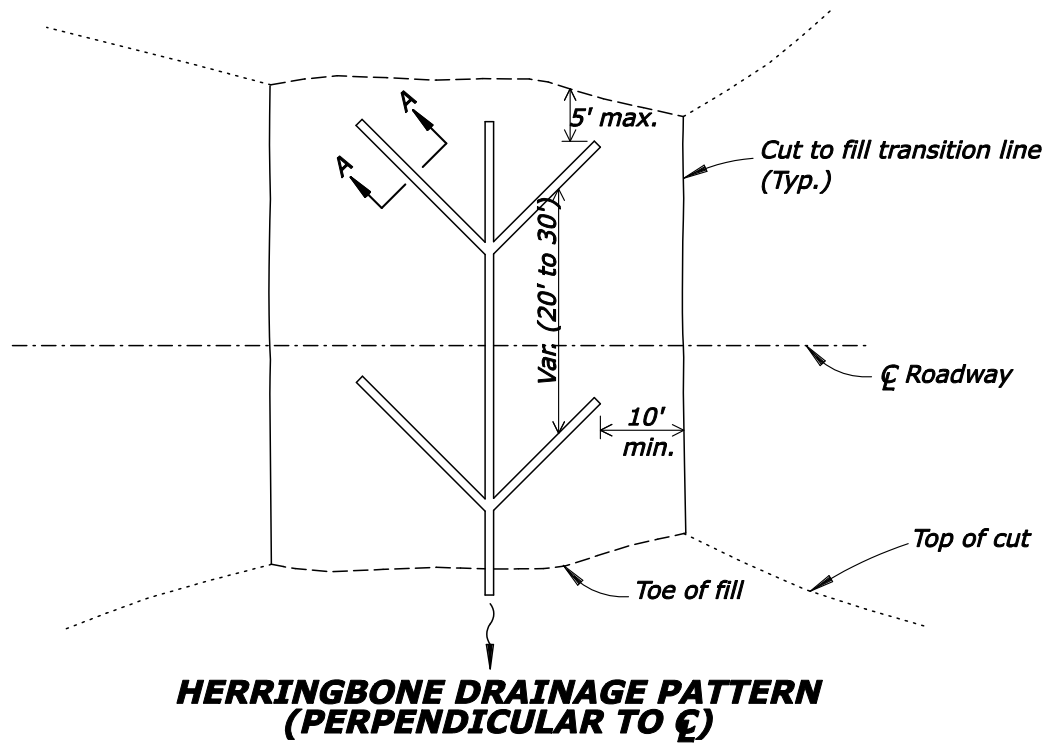
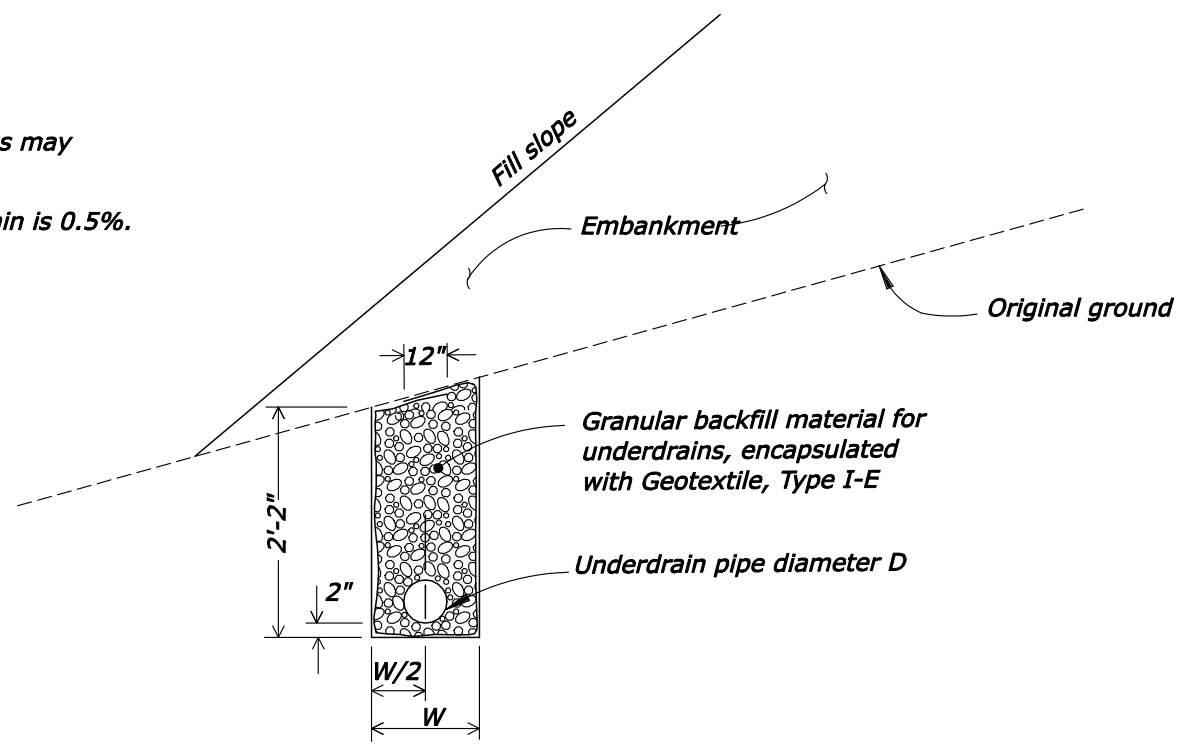


NOTE:

1. Location of pipe underdrains may be adjusted by the CO.
2. Minimum grade of underdrain is 0.5%.



DIAMETER (D)	WIDTH (W)
4"	12"
6"	15"

U.S. DEPARTMENT OF TRANSPORTATION
 FEDERAL HIGHWAY ADMINISTRATION
 EASTERN FEDERAL LANDS HIGHWAY DIVISION

U.S. CUSTOMARY DETAIL

**UNDERDRAIN,
 FOR FILL SLOPES**

DETAIL APPROVED FOR USE

REVISD: 1/08

DETAIL
 E605-02