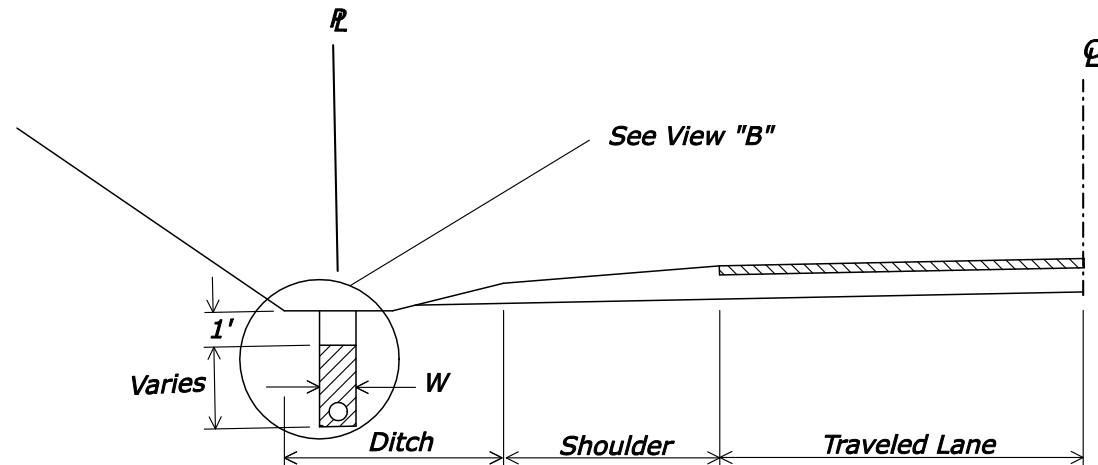
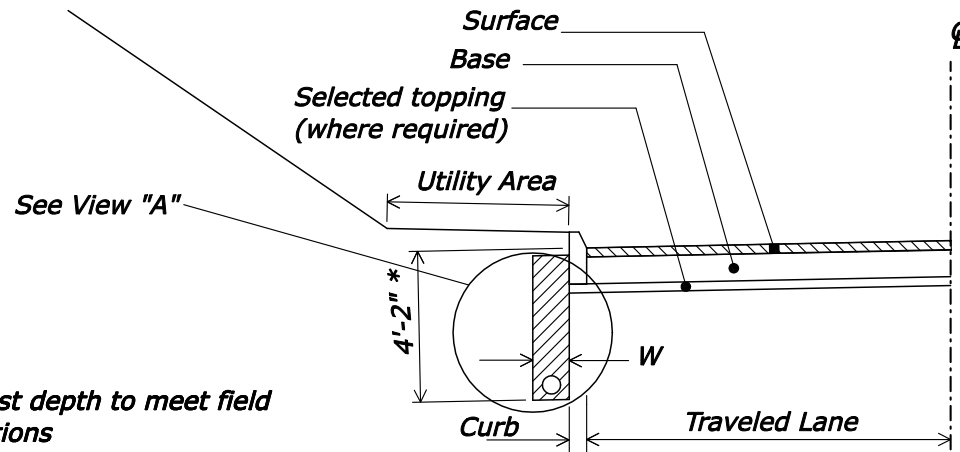


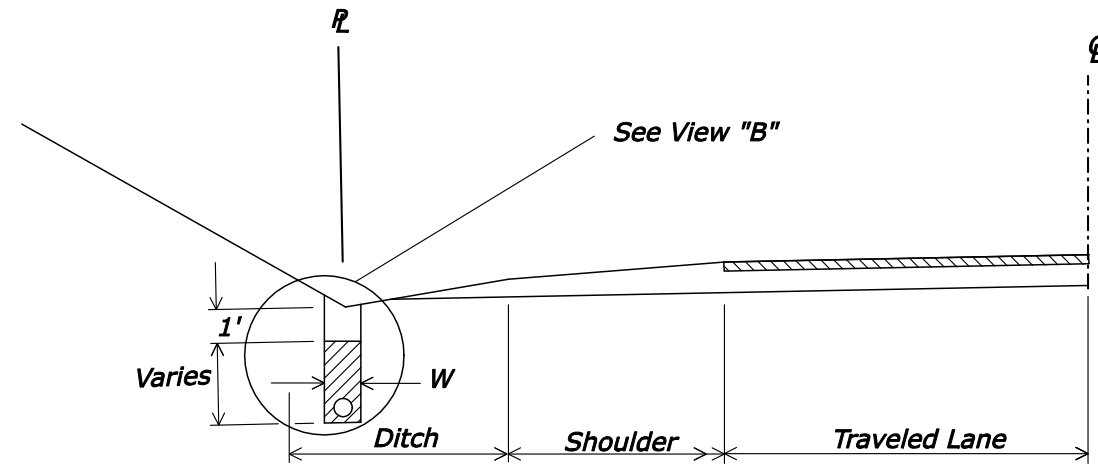
**SHOULDER**



**FLAT BOTTOM DITCH**



**CURB AND GUTTER**

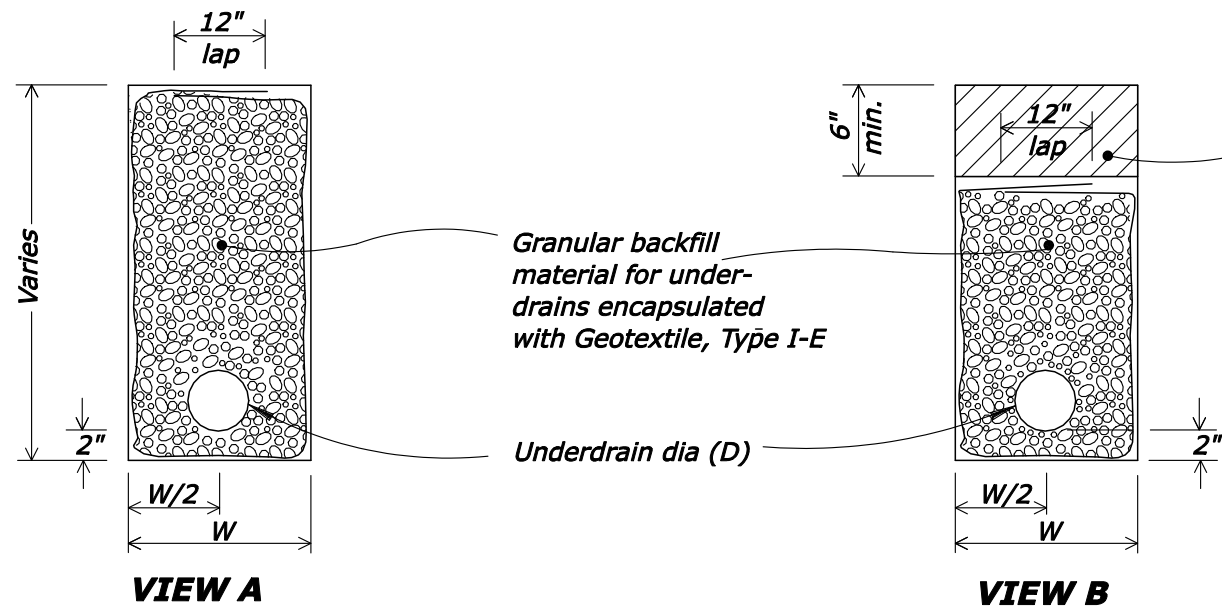


**VEE DITCH**

\* Adjust depth to meet field conditions

**NOTES:**

1. Location of pipe underdrains may be adjusted by the CO.
2. Minimum underdrain grade is 0.5 percent.



DIAMETER (D)	MINIMUM WIDTH (W)
4"	12"
6"	15"

U.S. DEPARTMENT OF TRANSPORTATION  
 FEDERAL HIGHWAY ADMINISTRATION  
 EASTERN FEDERAL LANDS HIGHWAY DIVISION

U.S. CUSTOMARY DETAIL

**UNDERDRAIN, FOR PAVEMENT AND DITCHES**

DETAIL APPROVED FOR USE

REVISOR: 1/08

DETAIL E605-01